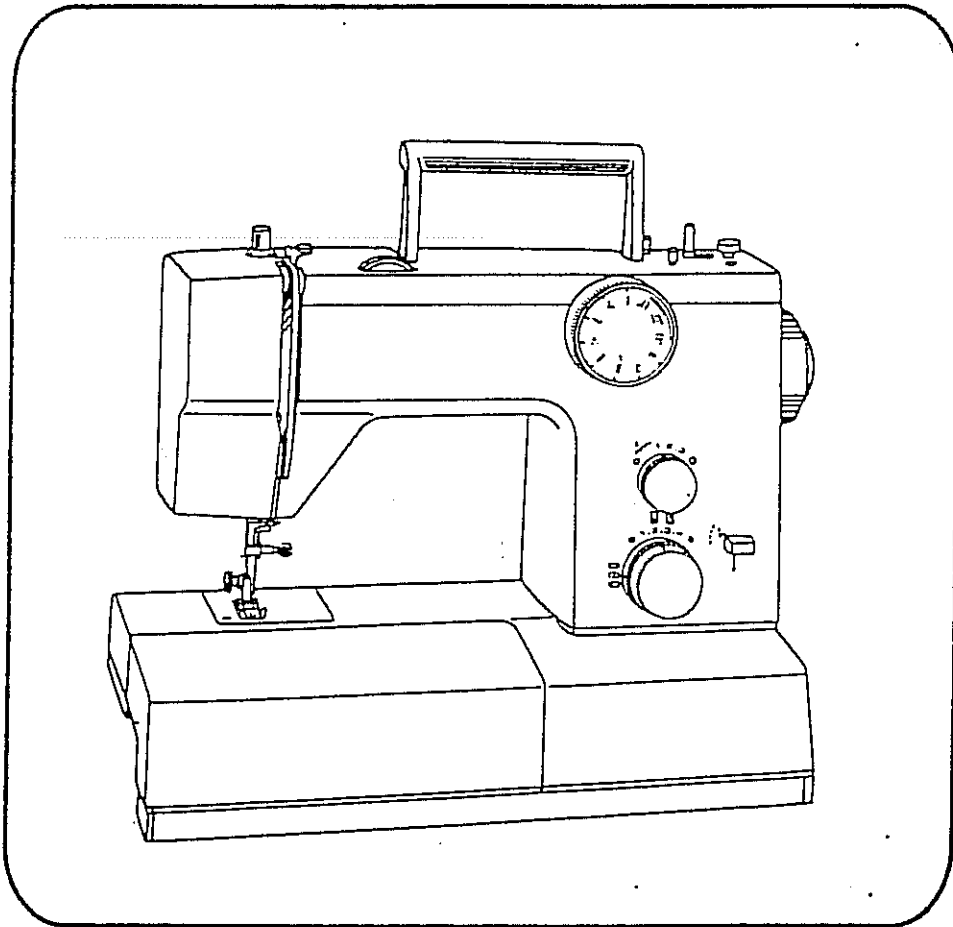


P. L. CHEN

SFG. MANAGER

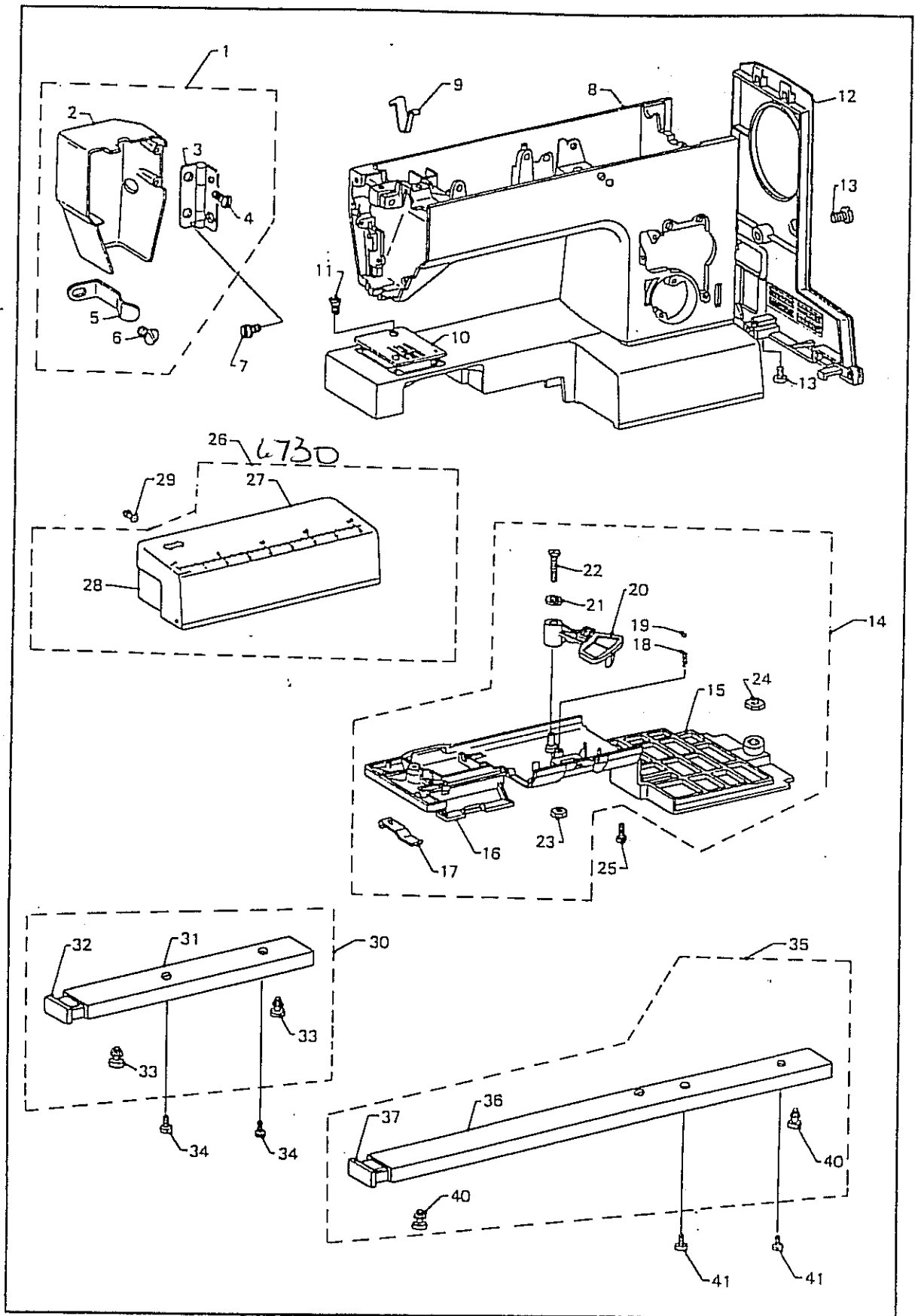
Sewing Machines Parts Catalogue and Service Manual



EC-1 Series

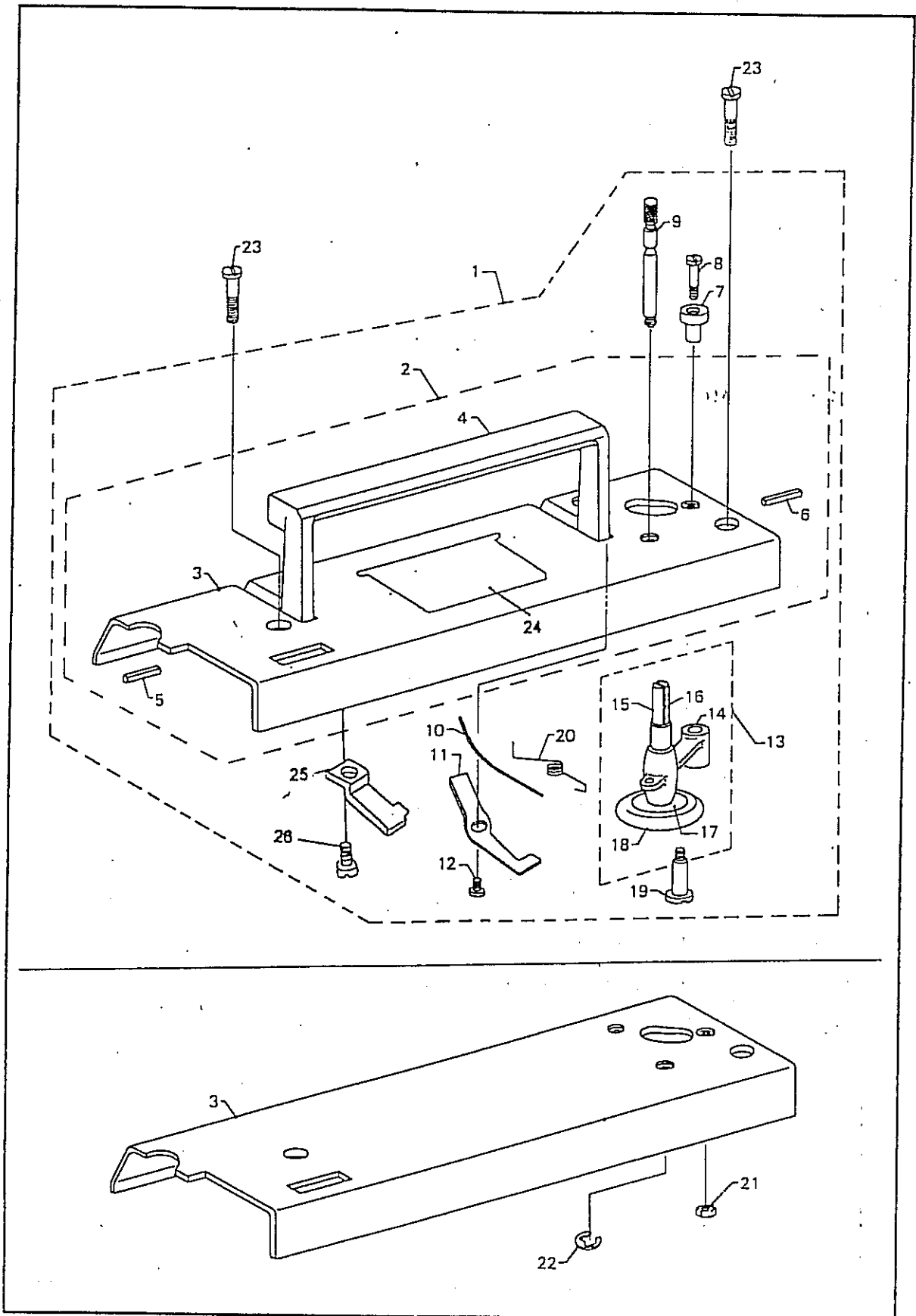
Model 2600 = Model 170

1. Machine Body Component Parts-①



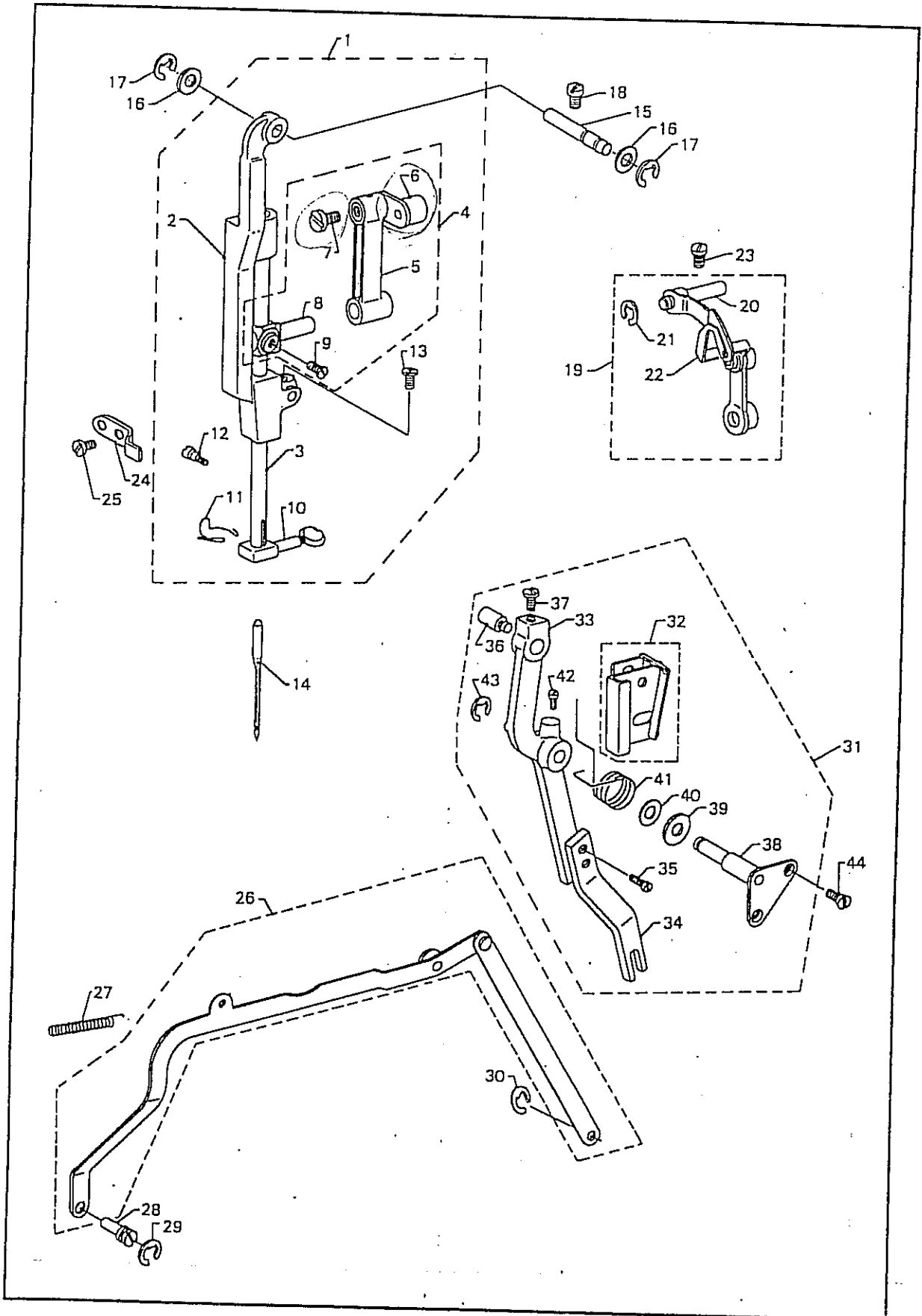
INDEX NO.	REF. NO.	PART ANME	@ P	QTY	MODEL NO.					
					2200	2400	2600	2700	2440	2640
1.	551001-320-E-650	Face Cover Ass'y		1	0	0	0	0	0	0
2.	550011-321-E-650	Face Cover		1	0	0	0	0	0	0
3.	150001-330	Hinge Ass'y		1	0	0	0	0	0	0
4.	10404	Set Screw For No.3		2	0	0	0	0	0	0
5.	150001-325-C	Face Cover Stopper		1	0	0	0	0	0	0
6.	10927	Set Screw For No.5		1	0	0	0	0	0	0
7.	10914	Set Screw For No.1		2	0	0	0	0	0	0
8.	520001-100-650	Arm Bed Ass'y		1	0					
	560001-100-650	Arm Bed Ass'y		1		0				
	550001-100-650	Arm Bed Ass'y		1			0			
9.	570001-100-650	Arm Bed Ass'y		1				0		
	590001-100-650	Arm Bed Ass'y		1					0	0
10.	150008-829	Card Guide No.1		1	0	0	0	0	0	0
	550011-511	Needle Plate		1	0	0	0	0		
	590001-511	Needle Plate		1					0	0
11.	10401	Set Screw For No.10		2	0	0	0	0	0	0
12.	551001-395-D-550	Motor Cover		1	0	0	0	0	0	0
13.	10904-A	Set Screw For No.12		2	0	0	0	0	0	0
14.	550001-106-G-650	Bed Cover Ass'y		1	0	0	0	0		
	590001-106-650	Bed Cover Ass'y		1					0	0
15.	550001-162-G-650	Bed Cover No.1		1	0	0	0	0		
	590001-162-650	Bed Cover No.1		1					0	0
16.	550001-163-E-650	Bed Cover No.2		1	0	0	0	0	0	0
17.	550001-382	Bed Cover Spring		1	0	0	0	0	0	0
18.	150007-519	Drop Knob Spring		1	0	0	0	0		
19.	90202	Steel Ball		1	0	0	0	0		
20.	550004-762	Drop Regulating Knob		1	0	0	0	0		
21.	60108	Flat Washer		1	0	0	0	0		
22.	10933	Set Screw For No. 20		1	0	0	0	0		
23.	30101-A	Nut		1	0	0	0	0		
24.	30105	Nut		1	0	0	0	0	0	0
25.	10904-A	Set Screw For No. 4		2	0	0	0	0	0	0
26.	550001-160-D-650	Accessory Box Ass'y		1	0	0	0	0	0	0
27.	550001-164-D-650	Accessory Box Cover		1	0	0	0	0	0	0
28.	550001-169-D-650	Accessory Box		1	0	0	0	0	0	0
29.	550001-189-A	Accessory Box Stopper		2	0	0	0	0	0	0
30.	550201-180-A	Assistance Foot Ass'y — R		1	0	0	0	0	0	0
31.	550201-172-A	Assistance Foot — R —		1	0	0	0	0	0	0
32.	550001-197-B-416	Assistance Foot Cover		1	0	0	0	0	0	0
33.	550001-152	Rubber Foot		2	0	0	0	0	0	0
34.	10932	Set Screw For No. 30		2	0	0	0	0	0	0
35.	550201-170-A-416	Assistance Foot Ass'y — F		1	0	0	0	0	0	0
36.	550201-171-A	Assistance Foot — F —		1	0	0	0	0	0	0
37.	550001-196-C-416	Assistance Foot Cover		1	0	0	0	0	0	0
40.	550001-152	Rubber Foot		2	0	0	0	0	0	0
41.	10932	Set Screw For No.35		2	0	0	0	0	0	0

1. Machine Body Component Parts-②



INDEX NO.	REF. NO.	PART NAME	@	QTY	MODEL NO.					
					2200	2400	2600	2700	2440	2640
1.	550001-310-650	Top Cover Ass'y		1		○	○		○	○
	540001-310-650	Top Cover Ass'y		1				○		
2.	550001-301-650	Top Cover Ass'y — S —		1		○	○	○		
3.	550001-311-650	Top Cover		1		○	○		○	○
	540001-311-650	Top Cover		1				○		
4.	550001-371-D-650	Handle		1	○	○	○	○		
5.	50410-A	Spring Pin		1	○	○	○	○		
6.	50413	Spring Pin		1	○	○	○	○		
7.	150002-626-A	Bobbin Winder Stopper		1	○	○	○	○	○	○
8.	11101	Set Screw For No.7		1	○	○	○	○		
	10933	Set Screw For No.7		1					○	○
9.	150002-181-D	Spool Pin		2	○	○	○	○		
10.	550002-191	Spool Pin Spring		2	○	○	○	○		
11.	550002-192	Lock Plate		1	○	○	○	○		
12.	10907-A	Set Screw For No.10		1	○	○	○	○		
13.	150002-601-B	Bobbin Winder Frame Ass'y		1	○	○	○	○	○	○
14.	150002-621-A	Bobbin Winder Frame		1	○	○	○	○	○	○
15.	710002-641	Bobbin Winder Spindle		1	○	○	○	○	○	○
16.	150002-643-A	Bobbin Stopper Spring		1	○	○	○	○	○	○
17.	150002-631-A	Rubber Ring Base		1	○	○	○	○	○	○
18.	150002-632	Rubber Ring		1	○	○	○	○	○	○
19.	150002-623-A	Set Screw For No.13		1	○	○	○	○		
20.	150002-644-C	Bobbin Winder Frame Spindle		1	○	○	○	○	○	○
21.	30101	Nut For No.8		1					○	○
22.	40106	E-Ring For No.13		1					○	○
23.	10901-B	Set Screw For No.1		2	○	○	○	○	○	○
24.	240021-315	Cam Cover		1				○		
25.	240001-316	Cam Cover Spring		2				○		
26.	10914	Set Screw		2				○		
1	520001-310-650	TOP COVER Ass'y		1	○					
	570001-310-650	TOP COVER Ass'y (SU専用)		1						
3	520001-311-650	TOP COVER		1	○					
	570001-311-650	TOP COVER (SU専用)		1						

3. Needle Bar Parts

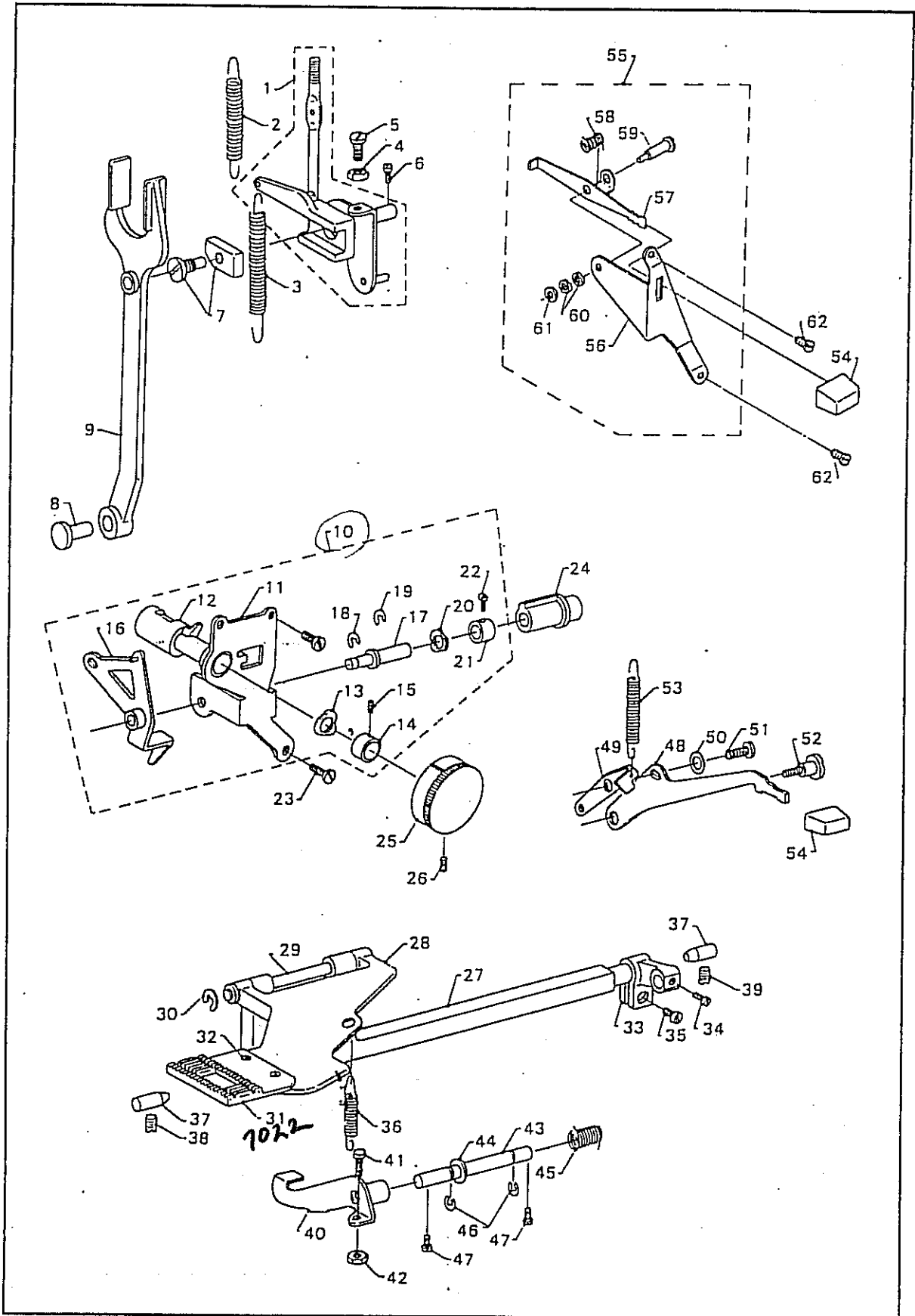


INDEX NO.	REF. NO.	PART NAME	@	QTY	MODEL NO.					
					2200	2400	2600	2700	2440	2640
1.	550002-330	Needle Bar Support Ass'y		1	0	0	0	0	0	0
2.	1750002-331	Needle Bar Support		1	0	0	0	0	0	0
3.	1750002-311	Needle Bar		1	0	0	0	0	0	0
4.	11500002-300	Needle Bar Crank Ass'y		1	0	0	0	0	0	0
5.	150002-321-B	Needle Bar Crank Rod		1	0	0	0	0	0	0
6.	1150002-422	Eccentric Crank		1	0	0	0	0	0	0
7.	150002-217-A	Set Screw For No.5		1	0	0	0	0	0	0
8.	150002-320-A	Needle Bar Connector Ass'y		1	0	0	0	0	0	0
9.	20105	Set Screw For No.8		1	0	0	0	0	0	0
10.	370002-343	Needle Clamp Ass'y		1	0	0	0	0	0	0
11.	350002-341-C	Needle Bar Thread Guide		1	0	0	0	0	0	0
12.	11003	Set Screw For No.11		1	0	0	0	0	0	0
13.	10941	Set Screw For No.28		1	0	0	0	0	0	0
14.	150002-482-A	Needle # 14		1	0	0	0	0	0	0
15.	150002-332-D	Needle Bar Support Shaft		1	0	0	0	0	0	0
16.	60107	Adjusting Washer		—	0	0	0	0	0	0
17.	40106-A	E-Ring		2	0	0	0	0	0	0
18.	10907-A	Set Screw For No. 15		1	0	0	0	0	0	0
19.	150002-401-A	Take-Up Lever Ass'y — L		1	0	0	0	0	0	0
20.	150002-414	Lever Spindle		1	0	0	0	0	0	0
21.	40103-A	E-Ring		1	0	0	0	0	0	0
22.	150002-410-D	Take-Up Lever		1	0	0	0	0	0	0
23.	10902 10129	Set Screw For No. 20		1	0	0	0	0	0	0
24.	550002-337	Needle Bar Support Stopper		1	0	0	0	0	0	0
25.	10914-B	Set Screw For No. 24		1	0	0	0	0	0	0
26.	550005-510	Connecting Rod Ass'y		1	0	0	0	0	0	0
	570005-510	Connecting Rod Ass'y		1	0	0	0	0	0	0
	590005-510	Connecting Rod Ass'y		1	0	0	0	0	0	0
27.	550005-513	Connecting Rod Spring		1	0	0	0	0	0	0
	570005-513	Connecting Rod Spring		1	0	0	0	0	0	0
28.	150005-512	Eccentric Pin		1	0	0	0	0	0	0
29.	40104-A	E-Ring		1	0	0	0	0	0	0
30.	40102	E-Ring		1	0	0	0	0	0	0
31.	150005-202-B	Zigzag Regulating Arm Ass'y		1	0	0	0	0	0	0
	120005-202	Zigzag Regulating Arm Ass'y		1	0	0	0	0	0	0
32.	160005-202	Zigzag Regulating Arm Ass'y		1	0	0	0	0	0	0
	150005-110	Zigzag Regulator		1	0	0	0	0	0	0
	110005-110	Zigzag Regulator		1	0	0	0	0	0	0
33.	150005-121-C	Regulating Arm		1	0	0	0	0	0	0
	120005-121	Regulating Arm		1	0	0	0	0	0	0
34.	160005-121	Regulating Arm		1	0	0	0	0	0	0
35.	120005-122	Assistance Plate		1	0	0	0	0	0	0
36.	11921	Set Screw For No.34		2	0	0	0	0	0	0
37.	150005-713-A	Hinge Stud		1	0	0	0	0	0	0
	10922-A	Set Screw For No.36		1	0	0	0	0	0	0
38.	150005-022-A	Regulating Arm Base		1	0	0	0	0	0	0
39.	60105	Flat Washer		1	0	0	0	0	0	0
40.	60107	Adjusting Washer		—	0	0	0	0	0	0
41.	150005-113	Regulator Spring		1	0	0	0	0	0	0
	110005-113	Regulator Spring		1	0	0	0	0	0	0
42.	10922	Set Screw For No.38		1	0	0	0	0	0	0
43.	40106	E-Ring		1	0	0	0	0	0	0
44.	10405	Set Screw For No.31		1	0	0	0	0	0	0

INDEX NO.	REF. NO.	PART NAME	@	QTY	MODEL NO.					
					2200	2400	2600	2700	2440	2640
1.	550003-101-F	Upper Shaft Ass'y		1		0	0		0	0
	570003-101-B	Upper Shaft Ass'y		1				0		
	520003-101-C	Upper Shaft Ass'y		1	0					
2.	150003-111-H	Upper Shaft		1		0	0	0	0	0
	110003-111-F	Upper Shaft		1	0					
3.	150003-131-D	Crank Weight		1	0	0	0	0	0	0
4.	50410-A	Spring Pin		1	0	0	0	0	0	0
5.	10104	Set Screw For No.3		1	0	0	0	0	0	0
6.	150003-112-E	Upper Shaft Bushing — F		1	0	0	0	0	0	0
7.	150003-115-D	Upper Shaft Collar		1	0	0	0	0	0	0
8.	10104	Set Screw For No.7		1	0	0	0	0	0	0
9.	150005-143	Worm Gear		1		0	0		0	0
	110005-143	Worm Gear		1	0					
	170005-143-D	Worm Gear		1			0			
10.	10104	Set Screw For No.9		2	0	0	0	0	0	0
11.	150004-151-A	Feed Cam		1	0	0	0	0	0	0
12.	10117	Set Screw For No.11		1	0	0	0	0	0	0
13.	10910	Set Screw For No.1		1	0	0	0	0	0	0
14.	150003-114-C	Upper Shaft Bush — R —		1	0	0	0	0	0	0
15.	150003-161-D	Handwheel Bush		1	0	0	0	0	0	0
16.	50409-A	Spring Pin		1	0	0	0	0	0	0
17.	550003-151-F-416	Handwheel		1	0	0	0	0	0	0
18.	710003-155	Stop Motion Washer		1	0	0	0	0	0	0
19.	150003-156-C-630	Stop Motion Screw ✓ 7011		1	0	0	0	0	0	0
20.	11502	Set Screw For No.19		1	0	0	0	0	0	0
21.	550003-330	Crank Rod		1	0	0	0	0	0	0
22.	10701-A	Set Screw For No.21]		2	0	0	0	0	0	0
23.	150004-515-A	Hinge Pin		1	0	0	0	0	0	0
24.	1150003-570	Gear Set 6919		1	0	0	0	0	0	0
25.	1150003-507	Low Shaft Gear 6919		1	0	0	0	0	0	0
26.	1150003-545	Shuttle Drive Gear		1	0	0	0	0	0	0
27.	11014	Set Screw For No.25		1	0	0	0	0	0	0
28.	11014	Set Screw For No.25		1	0	0	0	0	0	0
29.	10124	Set Screw For No.26		1	0	0	0	0	0	0
30.	150003-543-A	Lower Shaft Bushing — F		1	0	0	0	0	0	0
31.	10112	Set Screw		1	0	0	0	0	0	0
32.	550004-715	Feed Lifting Cam		1	0	0	0	0	0	0
33.	10104	Set Screw		1	0	0	0	0	0	0
34.	550003-541-B	Lower Shaft		1	0	0	0	0	0	0
35.	150003-542-A	Lower Shaft Bushing — R		1	0	0	0	0	0	0
36.	550003-546	Lower Shaft Crank		1	0	0	0	0	0	0
37.	20301	Set Screw For No.36		2	0	0	0	0	0	0
38.	10914-B	Set Screw For No.23		1	0	0	0	0	0	0
39.	550003-050	Shuttle Race Ass'y		1	0	0	0	0	0	0
40.	150003-514	Shuttle Drive Shaft Collar		1	0	0	0	0	0	0
41.	10106	Set Screw For No.40		2	0	0	0	0	0	0
42.	550003-531	Shuttle Race		1	0	0	0	0	0	0
43.	550003-053	Shuttle Driver		1	0	0	0	0	0	0
44.	110003-532	Shuttle Hook		1	0	0	0	0	0	0
45.	550003-152	Shuttle Race Cover		1	0	0	0	0	0	0
46.	10112	Set Screw For No.39		2	0	0	0	0	0	0
47.	710003-520	Bobbin		1	0	0	0	0	0	0
48.	710003-560	Bobbin Case		1	0	0	0	0	0	0

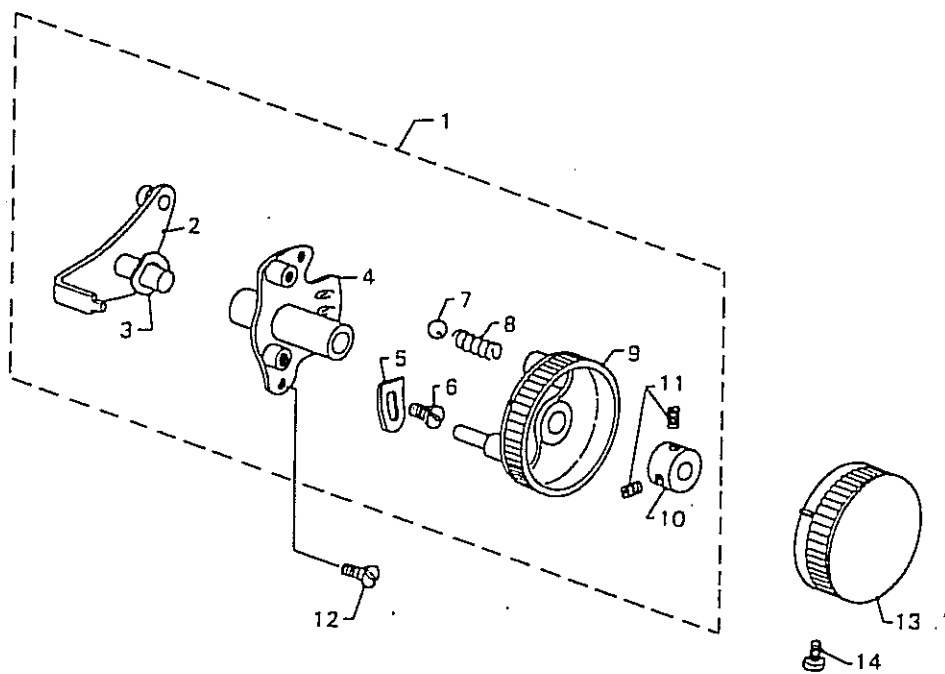
6919
7116

5. Feed Regulating Parts

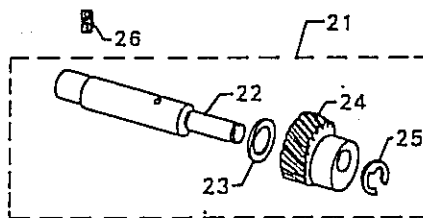


INDEX NO.	REF. NO.	PART NAME	@	QTY	MODEL NO.					
					2200	2400	2600	2700	2440	2640
1.	550004-110	Feed Regulator Ass'y		1		0	0			
	520004-110	Feed Regulator Ass'y		1	0					
	570004-110	Feed Regulator Ass'y		1				0		
	590004-110	Feed Regulator Ass'y		1					0	0
2.	150006-632-B	S.S. Feed Spring		1		0	0	0		
3.	150004-123-C	Feed Regulator Spring		1	0	0	0	0	0	0
4.	30403	Adjustable Nut		1	0	0	0	0		
5.	10128	Adjust Screw		1	0	0	0	0		
6.	10904-A	Set Screw For No.1		1	0	0	0	0	0	0
7.	710004-102-A	Sliding Block Set		1	0	0	0	0	0	0
8.	150004-515-A	Hinge Stud		1	0	0	0	0	0	0
9.	150004-141-B	Feed Forked Rod		1	0	0	0	0	0	0
10.	550004-300	Feed Regulator Base Ass'y		1		0	0	0		
	520004-300	Feed Regulator Base Ass'y		1	0					
11.	550004-380	Feed Regulator Base		1	0	0	0	0		
12.	550004-112	Feed Control Cam		1	0	0	0	0		
13.	60401-A	Wave Washer		1	0	0	0	0		
14.	550004-223	Collar		1	0	0	0	0		
15.	10106	Set Screw For No.14		2	0	0	0	0		
16.	550004-350	Feed Regulating Frame		1	0	0	0	0		
17.	550004-118	Stud For No.16		1		0	0	0		
	520004-118	Stud For No.16		1	0					
18.	40102-A	E-Ring		1	0	0	0	0		
19.	40103	E-Ring		1	0					
20.	60404	Wave Washer		1		0	0	0		
21.	550004-116	Collar		1		0	0	0		
22.	10907-A	Set Screw For No.21		2		0	0	0		
23.	10402	Set Screw For No.10		3		0	0	0		
24.	550004-117-A-416	B.H. Adjusting Knob		1		0	0	0		
25.	550004-316-E-650	Stitch Length Dial		1	0	0	0	0		
26.	10114	Set Screw For No.25		1	0	0	0	0		
27.	550004-511	Feed Rock Shaft		1	0	0	0	0	0	0
28.	550004-512	Feed Bar		1	0	0	0	0	0	0
29.	150004-514	Feed Bar Shaft		1	0	0	0	0	0	0
30.	40102-A	E-Ring		1	0	0	0	0	0	0
31.	550004-513	Feed Dog 7022		1	0	0	0	0	0	0
32.	10921	Set Screw For No.31		2	0	0	0	0	0	0
33.	550004-521	Feed Rock Shaft Crank		1	0	0	0	0	0	0
34.	10105	Set Screw For No.33		1	0	0	0	0	0	0
35.	10904-A	Set Screw For No.33		1	0	0	0	0	0	0
36.	550004-732	Feed Bar Spring		1	0	0	0	0	0	0
37.	150004-525-A	Center Pin		2	0	0	0	0	0	0
38.	10111	Set Screw For No.37		1	0	0	0	0	0	0
39.	10112	Set Screw For No.37		1	0	0	0	0	0	0
40.	550004-720	Feed Lifting Arm Ass'y		1	0	0	0	0	0	0
41.	590004-731	Feed Lifting Arm		1					0	0
42.	850004-730	Adjusting Screw		1	0	0	0	0	0	0
43.	30403	Nut		1	0	0	0	0	0	0
44.	550004-711	Feed Lifting Arm Shaft		1	0	0	0	0	0	0
	60102	Flat Washer		1	0	0	0	0		
45.	550004-754	Lifting Arm Spring		1	0	0	0	0	0	0
46.	40101-A	E-Ring		2	0	0	0	0	0	0
47.	10932	Set Screw For No.43		2	0	0	0	0	0	0
48.	550004-362	Reverse Sewing Lever		1	0	0	0	0		
49.	550004-363	Reverse Stitch Adjust Plate		1	0	0	0	0		
50.	60111	Flat Washer		1	0	0	0	0		
51.	10904-A	Set Screw For No.49		1	0	0	0	0		
52.	11001-A	Stud For No.48		1	0	0	0	0		
53.	550004-364	Reverse Sewing Lever Spring		1	0	0	0	0		
54.	350004-361-C-650	Reverse Sewing Knob		1	0	0	0	0	0	0
55.	590004-306	Reverse Sewing Lever Ass'y		1					0	0
56.	590004-381	Base Plate		1					0	0
57.	590004-362	Reverse Sewing Lever		1					0	0
58.	590004-364	Reverse Sewing Lever Spring		1					0	0
59.	590004-138	Reverse Sewing Lever Stud		1					0	0
60.	60405	Wave Washer		2					0	0
61.	60101	Flat Washer		1					0	0
62.	10402	Set Screw For No.55		2					0	0

6. Zigzag Generating Parts - ①



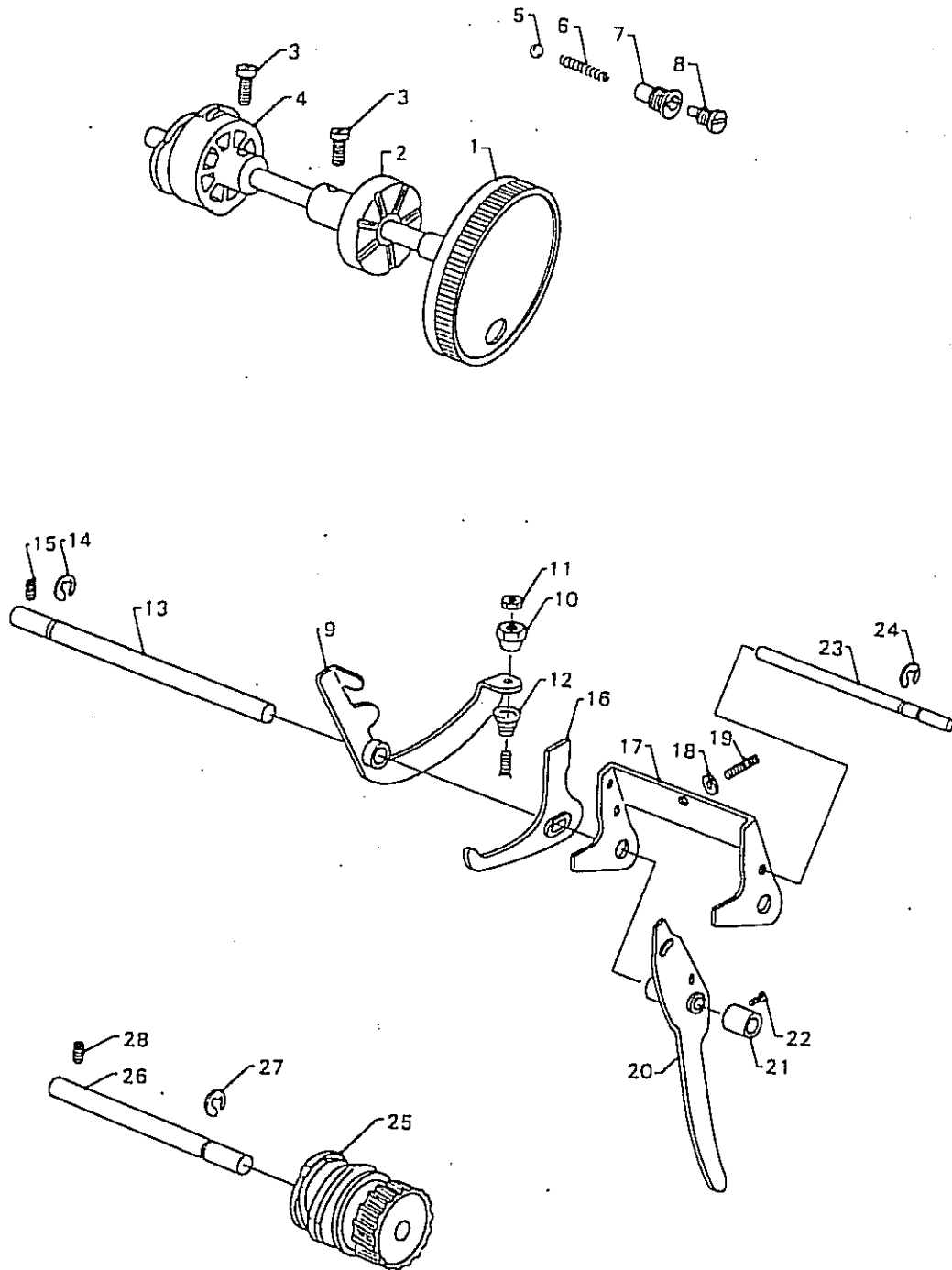
MODEL: 2200



INDEX NO.	REF. NO.	PART NAME	@	QTY	MODEL NO.					
					2200	2400	2600	2700	2440	2640
1.	550005-160	Zigzag Width Control Ass'y		1	0	0	0	0		
2.	550005-106-A	Zigzag Width Control Plate		1	0	0	0	0		
3.	60401-A	Wave Washer		1	0	0	0	0		
4.	150007-115-D	Needle Position Dial Plate		1	0	0	0	0		
5.	150005-283	Zigzag Widht Stopper		2	0	0	0	0		
6.	10924-A	Set Screw For No.5		2	0	0	0	0		
7.	90202	Steel Ball		1	0		0	0		
8.	150007-519	Ball Spring		1	0		0	0		
9.	550007-507-B-650	Needle Position Dial		1	0		0	0		
10.	550004-223	Collar		1	0	0	0	0		
11.	10106	Set Screw For No.10		2	0	0	0	0		
12.	10405	Set Screw For No.1		2	0	0	0	0		
13.	550007-523-D-650	Zigzag Widht Control Dial		1	0	0	0	0		
14.	10115	Set Screw For No.13		1	0	0	0	0		
21.	110005-014	Zigzag Generating Cam Ass'y		1	0					
22.	110005-114-A	Generating Cam Shaft		1	0					
23.	60107	Adjusting Washer		-	0					
24.	110005-141	Zigzag Generating Cam		1	0					
25.	40106	E-Ring		1	0					
26.	10112	Set Screw For No.21		1	0					

6. Zigzag Generating Parts - ②

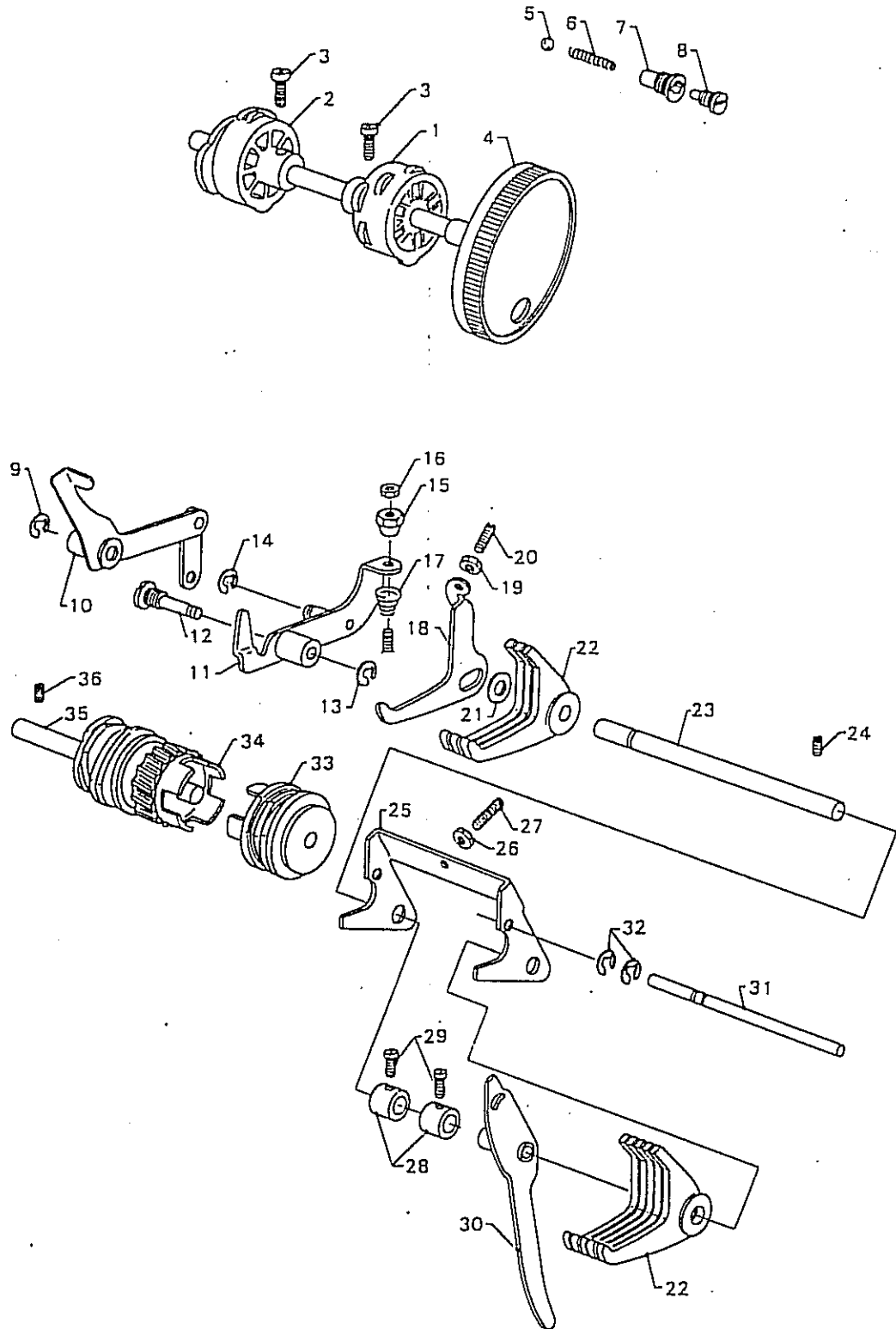
MODEL: 2400



INDEX NO.	REF. NO.	PART NAME	@	QTY	MODEL NO.					
					2200	2400	2600	2700	2440	2640
1.	560007-521	Pattern Selecting Dial		1		○				
2.	560006-681	Pattern Setting Cam		1		○				
3.	11008	Set Screw For No.1,2		2		○				
4.	560006-531	Selecting Cam		1		○				
5.	90201	Steel Ball		1		○				
6.	150007-518	Ball Spring		1		○				
7.	550007-635	Ball Guide Bushing		1		○				
8.	11505	Spring Stopper		1		○				
9.	560006-610	B.H. Finger Ass'y		1		○				
10.	30404	Nut		1		○				
11.	30101	Nut		1		○				
12.	150006-636	Feed Rod Spring		1		○				
13.	550006-117	Finger Shaft		1		○				
14.	40106	E-Ring		1		○				
15.	10114	Set Screw For No.13		1		○				
16.	150006-124	Contacting Finger		6		○				
17.	560006-143	Finger Guide Plate		1		○				
18.	30101	Nut		1		○				
19.	10101	Adjusting Screw		1		○				
20.	560006-270	Zigzag Drive Arm Ass'y		1		○				
21.	150006-375	Collar		1		○				
22.	10804	Set Screw For No.21		1		○				
23.	560006-276	Finger Guide Pin		1		○				
24.	40102	E-Ring		1		○				
25.	560006-310	Pattern Cam		1		○				
26.	550006-136	Pattern Cam Shaft		1		○				
27.	40103	E-Ring		1		○				
28.	10114	Set Screw For No.26		1		○				

6. Zigzag Generating Parts - ③

MODEL: 2600



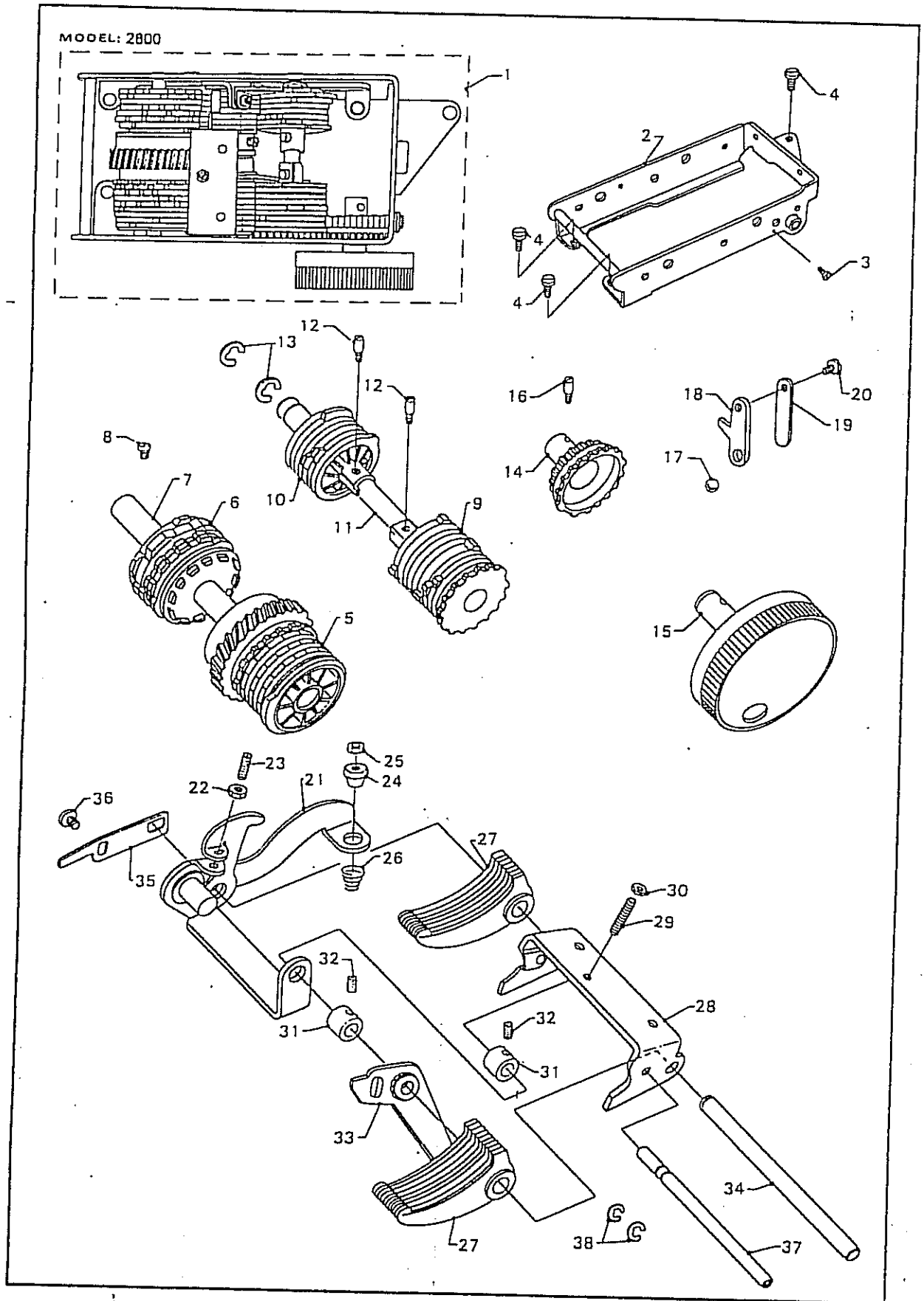
4

INDEX NO.	REF. NO.	PART NAME	QTY	MODEL NO.					
				2200	2400	2600	2700	2440	2640
1.	550006-531	Selecting Cam — A —	1			○			
2.	550006-532	Selecting Cam — B —	1			○			
3.	11008	Set Screw For No.1,2	2			○			
4.	550007-521-J-650	Selecting Dial	1			○			
5.	90201	Steel Ball	1			○			
6.	150007-518	Ball Spring	1			○			
7.	550007-635	Ball Sushing	1			○			
8.	11505	Spring Stopper	1			○			
9.	40106	E-Ring	1			○			
10.	150006-670-B	S.S Intermediate Arm Ass'y	1			○			
11.	150006-610-F	B.H. Finger Ass'y	1			○			
12.	150006-617-E	B.H. Finger Stud	1			○			
13.	40104-A	E-Ring	1			○			
14.	40102-A	E-Ring	1			○			
15.	30404	Nut	1			○			
16.	30108-A	Nut	1			○			
17.	150006-636	S.S. Feed Rod Spring	1			○			
18.	150006-125-B	S.S. Contacting Finger	1			○			
19.	30101-A	Nut	1			○			
20.	10101-B	Adjusting Screw	1			○			
21.	60109-C	Fiat Washer	1			○			
22.	150006-124-D	Contacting Finger	8			○			
23.	550006-117	Finger Shaft	1			○			
24.	10918	Set Screw For No.23	1			○			
25.	150006-143-C	Finger Guide Plate	1			○			
26.	30403	Nut	1			○			
27.	10128	Adjusting Screw	1			○			
28.	150006-375-B	Collar	2			○			
29.	10804	Set Screw For No.28	2			○			
30.	150006-270-A	Zigzag Drive Arm Ass'y	1			○			
31.	150006-276-B	Finger Guide Pin	1			○			
32.	40102-A	E-Ring	2			○			
33.	550006-110	Pattern Cam — A —	1			○			
34.	550006-310	Pattern Cam — B —	1			○			
35.	550006-136	Pattern Cam Shaft	1			○			
36.	10114	Set Screw For No.35	1			○			

1

1

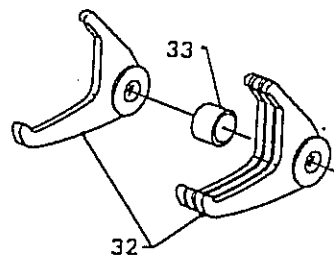
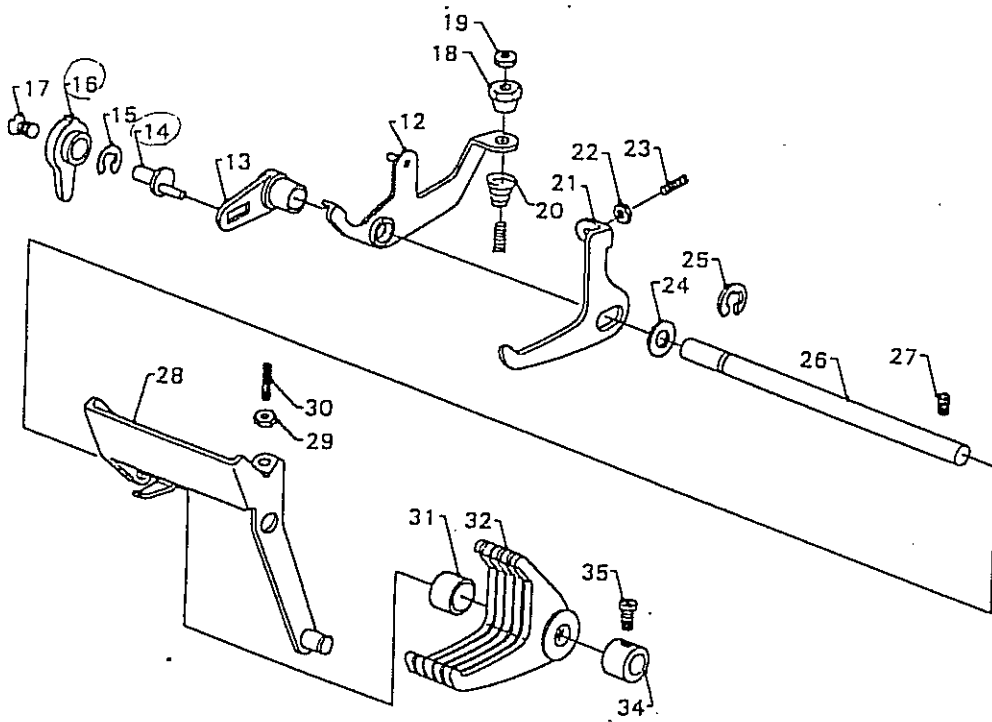
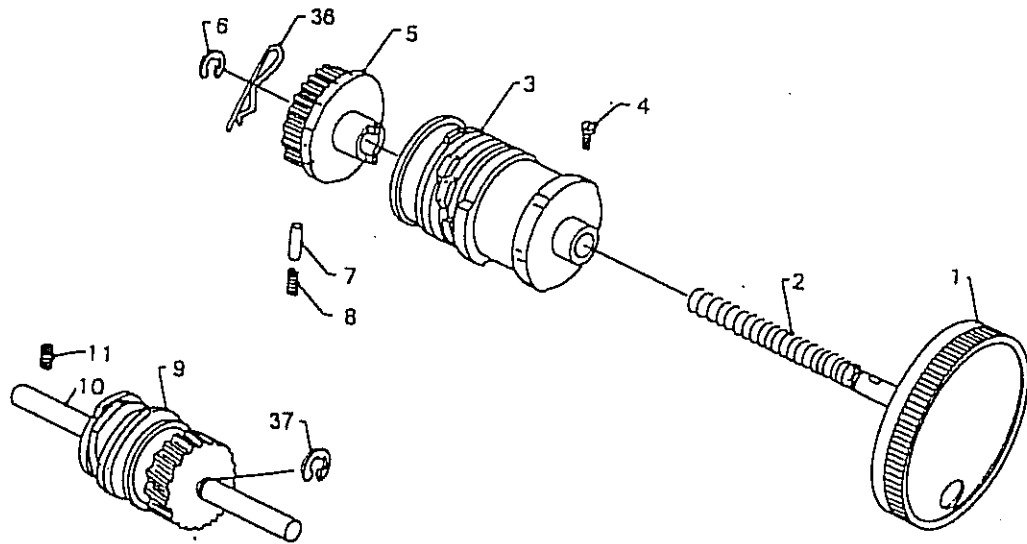
6. Zigzag Generating Parts - ④



INDEX NO.	REF. NO.	PART NAME	@	QTY	MODEL NO.						
					2200	2400	2600	2800	2440	2640	
1.	570006-100	Pattern Cam Unit		1							
2.	170006-101	Pattern Cam Mounting Base Ass'y		1				0			
3.	10931	Set Screw For No.1		1				0			
4.	10905	Set Screw For No.1		3				0			
5.	170006-110	Pattern Cam -- A --		1				0			
6.	170006-310	Pattern Cam -- B --		1				0			
7.	170006-136	Pattern Shaft		1				0			
8.	10804	Set Screw For No.7		1				0			
9.	170006-531	Selecting Cam -- A --		1				0			
10.	170006-532	Selecting Cam -- B --		1				0			
11.	170006-533	Selecting Cam Shaft		1				0			
12.	11008	Set Screw For No.10,11		2				0			
13.	40103	E-Ring		2				0			
14.	170006-391	Selecting Cam Driving Gear		1				0			
15.	570007-521-C-650	Pattern Selecting Dial		1				0			
16.	11006	Set Screw For No.15		1				0			
17.	90203	Settl Ball		1				0			
18.	170006-132	Selecting Arm		1				0			
19.	170006-133	Selecting Spring		1				0			
20.	10927	Set Screw For No.18,19		1				0			
21.	170006-610	B.H. Finger Ass'y		1				0			
22.	30101	Nut		1				0			
23.	10101	Adjusting Screw		1				0			
24.	30404	Adjusting Nut		1				0			
25.	30403	Nut		1				0			
26.	150006-636	S.S. Feed Rod Spring		1				0			
27.	170006-124	Contacting Finger		16				0			
28.	170006-143-C	Finger Guide Plate		1				0			
29.	10128	Adjusting Screw		1				0			
30.	30403	Nut		1				0			
31.	150006-375-B	Collar		2				0			
32.	10804	Set Screw For No.31		2				0			
33.	170006-270	Zigzag Driving Arm Ass'y		1				0			
34.	170006-117	Contacting Finger Shaft		1				0			
35.	170006-118	Finger Shaft Plate		1				0			
36.	10927	Set Screw For No. 35		1				0			
37.	170006-276	Finger Guide Pin		1				0			
38.	40102	E-Ring		2				0			

6. Zigzag Generating Parts - ⑤

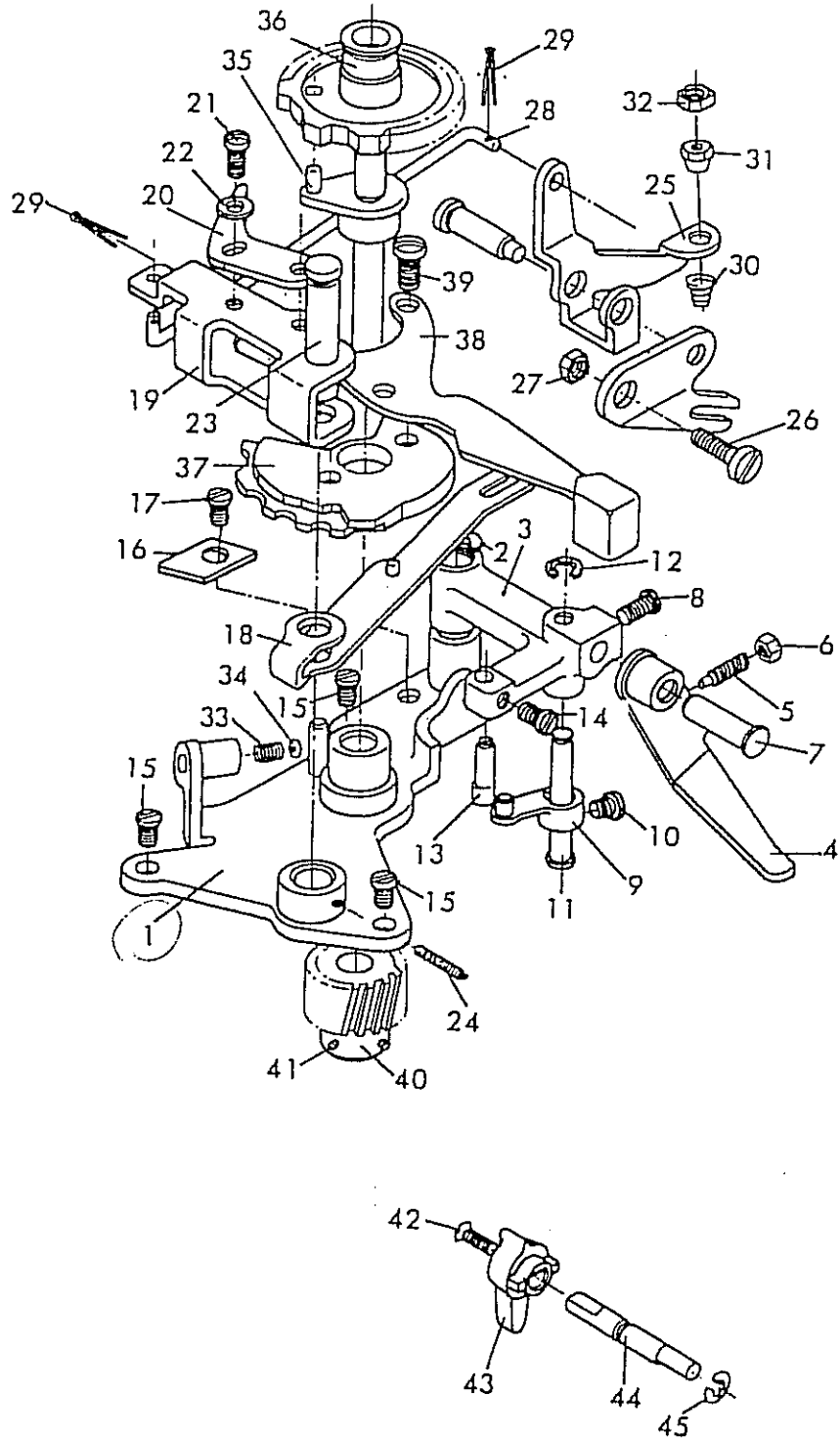
MODEL: 2440, 2640



INDEX NO.	REF. NO.	PART NAME	@	QTY	MODEL				NO.	
					2200	2400	2600	2700	2440	2640
1.	590007-521-G-650	Pattern Selecting Dial		1					0	0
2.	590007-522	Selecting Dial Spring		1					0	0
3.	590006-531	Selecting Cam		1					0	0
4.	580006-531-C 11008	Selecting Cam Set Screw For No.3		1					0	0
5.	590006-681	Pattern Setting Cam		1					0	0
6.	680006-681	Pattern Setting Cam		1					0	0
7.	40106	E-Ring		1					0	0
8.	590007-635-A	Setting Cam Lock Pin		1					0	0
9.	590007-518-A	Lock Pin Spring		1					0	0
10.	590006-110	Pattern Cam		1					0	0
11.	550006-136	Pattern Cam Shaft		1					0	0
12.	10114	Set Screw For No. 10		1					0	0
13.	590006-610-A	B.H. Finger Ass'y		1					0	0
14.	590016-661	B.H. Adjusting Arm Ass'y		1					0	0
15.	590006-613	B.H. Adjusting Stud		1					0	0
16.	40107	E-Ring		1					0	0
17.	240027-561-650	B.H. Adjusting Knob		1					0	0
18.	10406	Set Screw For NO.17		1					0	0
19.	30404	Adjusting Nut		1					0	0
20.	30403	Adjustable Nut		1					0	0
21.	150006-636	Feed Rod Spring		1					0	0
22.	590006-125	S.S. Contacting Finger		1					0	0
23.	30108-A	Nut		1					0	0
24.	10123	Adjusting Screw		1					0	0
25.	60121-A	Flat Washer		1					0	0
26.	40106	E-Ring		1					0	0
27.	590006-117	Contacting Finger Shaft		1					0	0
28.	10918	Set Screw For No.26		1					0	0
29.	590006-140	Finger Guide Plate		1					0	0
30.	30403	Adjustable Nut		1					0	0
31.	10123	Adjusting Screw		1					0	0
32.	590006-116	Spacer		1					0	0
33.	590006-124	Contacting Finger		6					0	0
34.	590006-124	Contacting Finger		4					0	0
35.	580006-116	Spacer		1					0	0
36.	150006-375-B	Collar		1					0	0
37.	10804	Set Screw For No.34		1					0	0
38.	50102	Pin		1					0	0
39.	40103	E-Ring		1					0	0

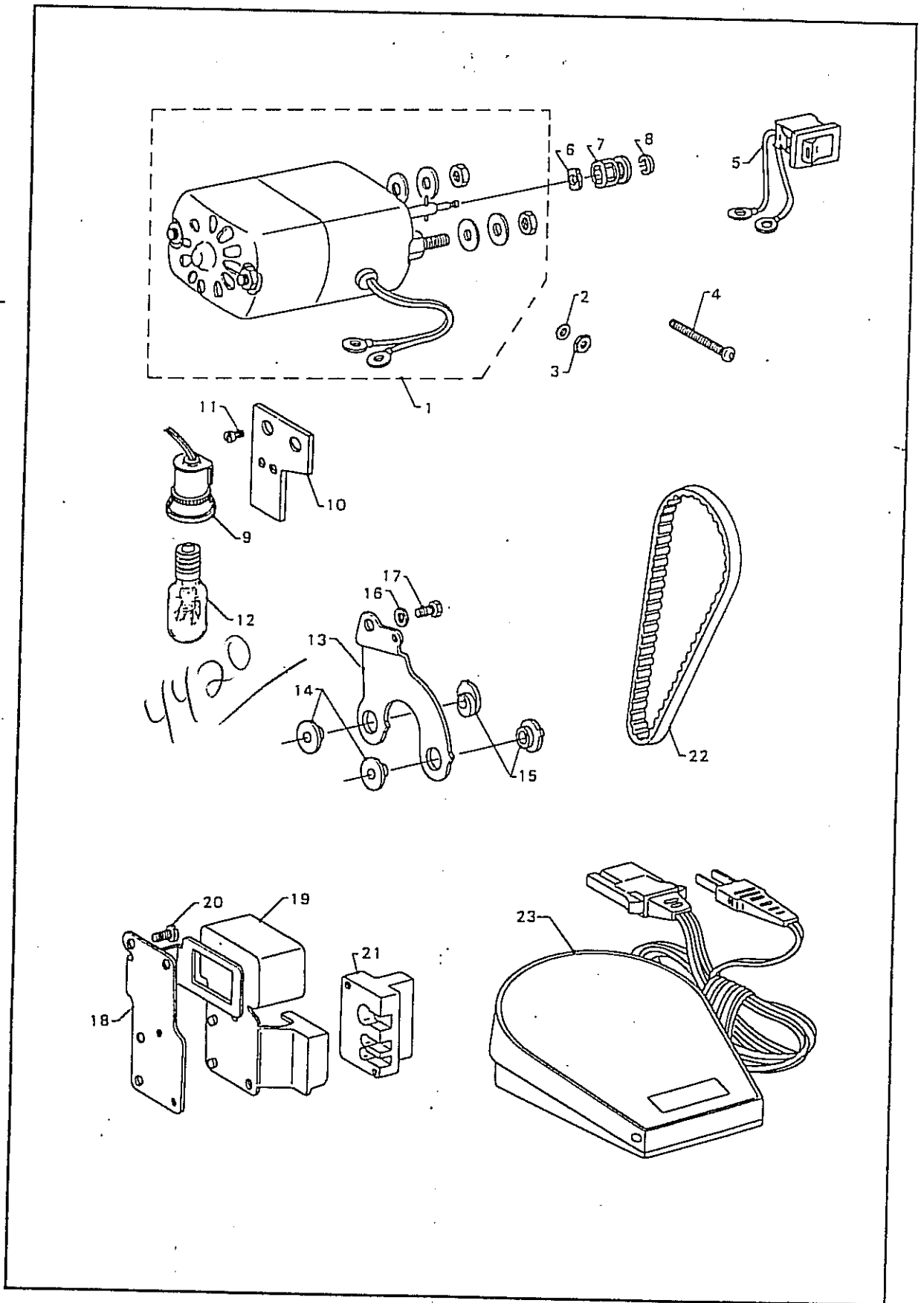
6. Zigzag Generating Parts - ⑥

MODEL:2700



INDEX NO.	REF. NO.	PART NAME	@	QTY	MODEL NO.					
					2200	2400	2600	2700	2440	2640
1.	540006-100-630	Cam Unite Base		1				0		
2.	40103	E-Ring		1				0		
3.	240006-232	Finger Base		1				0		
4.	240006-270	Zigzag Driving Arm		1				0		
5.	10119	Adjusting Screw		1				0		
6.	30101	Nut		1				0		
7.	240005-172	Stud		1				0		
8.	10924	Set Screw		1				0		
9.	240006-520	BH Arm		1				0		
10.	10916	Set Screw		1				0		
11.	240006-523	Stud		1				0		
12.	40104	E-Ring		1				0		
13.	240006-232	Finger Pin		1				0		
14.	20304	Set Screw		1				0		
15.	10905	Set Screw		3				0		
16.	540008-142	Cord Guide		1				0		
17.	10907-A	Set Screw		1				0		
18.	240006-350	BH Cam Finger		1				0		
19.	240006-591	BH Finger Arm		1				0		
20.	240006-125	SS Feed Finger		1				0		
21.	10924	Set Screw		1				0		
22.	60115	Flat Washer		1				0		
23.	240006-343	SS Finger Shaft		1				0		
24.	10114	Set Screw		1				0		
25.	240006-610	SS Stitch Connecting Rod		1				0		
26.	11001	Set Screw		1				0		
27.	30105	Nut		1				0		
28.	240006-374	SS Feed Connecting Rod		1				0		
29.	50101-A	Pin		2				0		
30.	150006-636	SS Feed Rod Spring		1				0		
31.	30108-A	Adjusting Nut		1				0		
32.	30404	Nut		1				0		
33.	240007-518	Spring		1				0		
34.	90201	Steel Ball		1				0		
35.	240006-130	Pattern Cam Shaft		1				0		
36.	240006-711	Pattern Cam M		1				0		
37.	240006-531	Selecting Cam		1				0		
38.	540007-550-630	Pattern Selecting Lever		1				0		
39.	10922	Set Screw		2				0		
40.	240006-321	Pattern Cam Gear		1				0		
41.	10105	Set Screw		2				0		
42.	10406	Set Screw		1				0		
43.	540007-561-A	SS Feed Adjusting Knob		1				0		
44.	240006-613	Stud		1				0		
45.	40107	E-Ring		1				0		

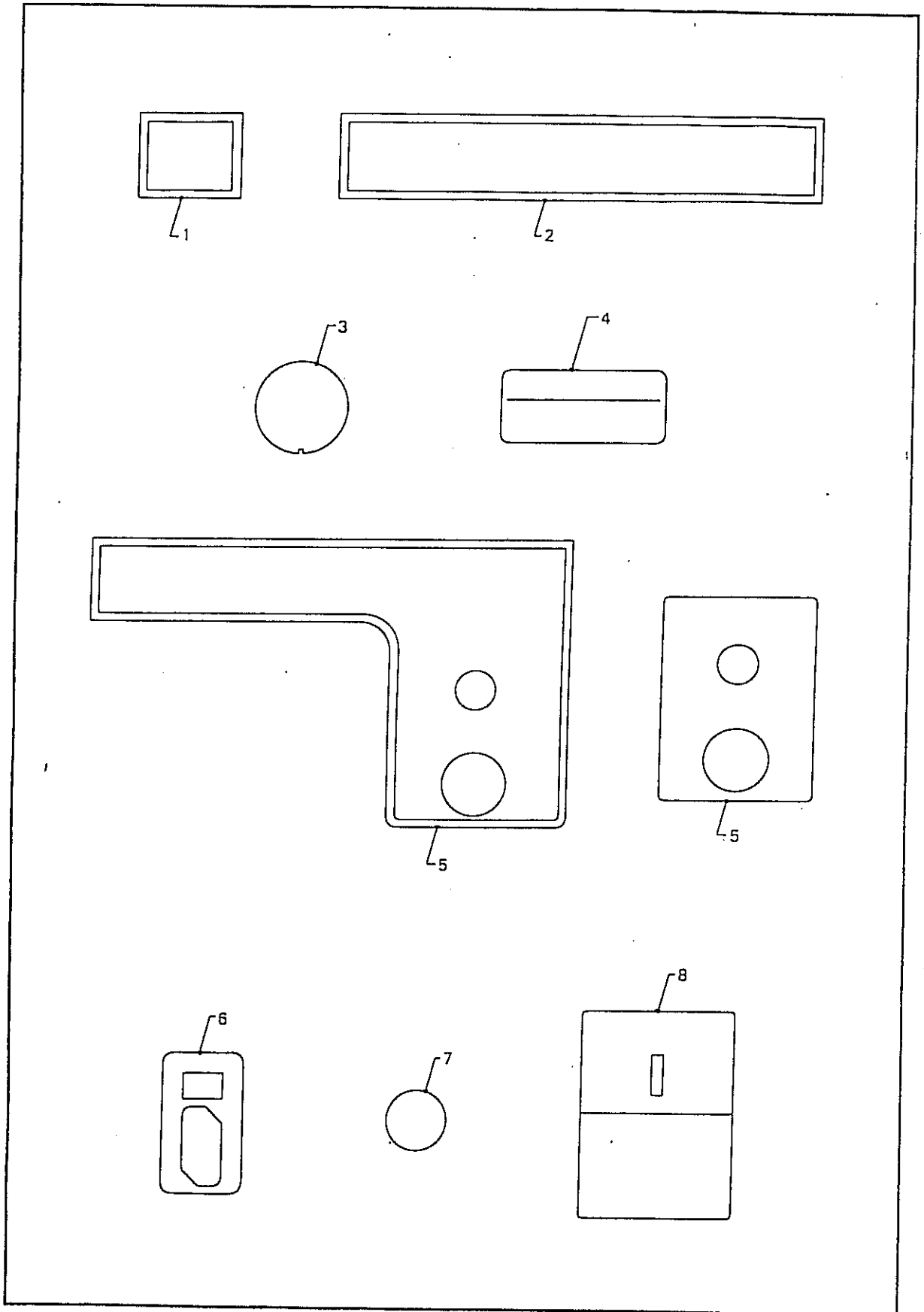
7. Specific Parts-①



INDEX NO.	REF. NO.	PART NAME	QTY	MODEL NO.					
				2200	2400	2600	2700	2440	2640
1.	550* *8-835	Sewing Machine Motor Ass'y	1	○	○	○	○	○	○
2.	550* *8-835-9	Lock Washer	5	○	○	○	○	○	○
3.	550* *8-835-10	Nut	5	○	○	○	○	○	○
4.	550* *8-835-8	Set Screw For No.21	2	○	○	○	○	○	○
5.	550* *8-835-6	Switch	1	○	○	○	○	○	○
6.	550008-824	Cushion Rubber	1	○	○	○	○	○	○
7.	550008-840	Motor Pully	1	○	○	○	○	○	○
8.	40110	E-Ring	1	○	○	○	○	○	○
9.	550* *8-110	Light Socket Ass'y	1	○	○	○	○	○	○
10.	550* *8-171	Socket Holding Plate	1	○	○	○	○	○	○
11.	10904	Set Screw For No.10	1	○	○	○	○	○	○
12.	550* *8-116	Light Bulb	1	○	○	○	○	○	○
13.	550018-824	Motor Bracket	1	○	○	○	○	○	○
14.	150009-825	Insulating Ring — A —	2	○	○	○	○	○	○
15.	150009-832	Insulating Ring — B —	2	○	○	○	○	○	○
16.	60113	Flat Washer	1	○	○	○	○	○	○
17.	20104	Set Screw For No.13	1	○	○	○	○	○	○
18.	150* *8-828	Terminal Box Holding Plate	1	○	○	○	○	○	○
19.	150008-827	Switch Cover	1	○	○	○	○	○	○
20.	10904	Set Screw For No.18	2	○	○	○	○	○	○
21.	550* *8-835-7	Terminal Box	1	○	○	○	○	○	○
22.	550008-843	Timing Belt	1	○	○	○	○	○	○
23.	150* *8-834	Foot Controller	1	○	○	○	○	○	○

** Specification Vary From Country to Country

7. Specific Parts - ②



INDEX NO.	REF. NO.	PART NAME	QTY	MODEL NO.					
				2200	2400	2600	2700	2440	2640
1.	5*0* *9-167	Face Cover Plate							
2.	5*0* *9-161	Name Plate							
3.	5*0* *9-171	Pattern Indicating Plate							
4.	5*0* *9-155	Nomenclature Plate							
5.	5*0* *7-113	Zigzag Width Indicating Plate (P)							
	5*0* *7-113	Zigzag Width Indicating Plate							
6.	150* *8-836	Power Supply Plate							
7.	520* *9-168	Motor Cover Plate							
8.	590* *7-123	Reverse Sewing Indicating Plate							

* : MOD.2200 = 2

MOD.2400 = 6

MOD.2600 = 5

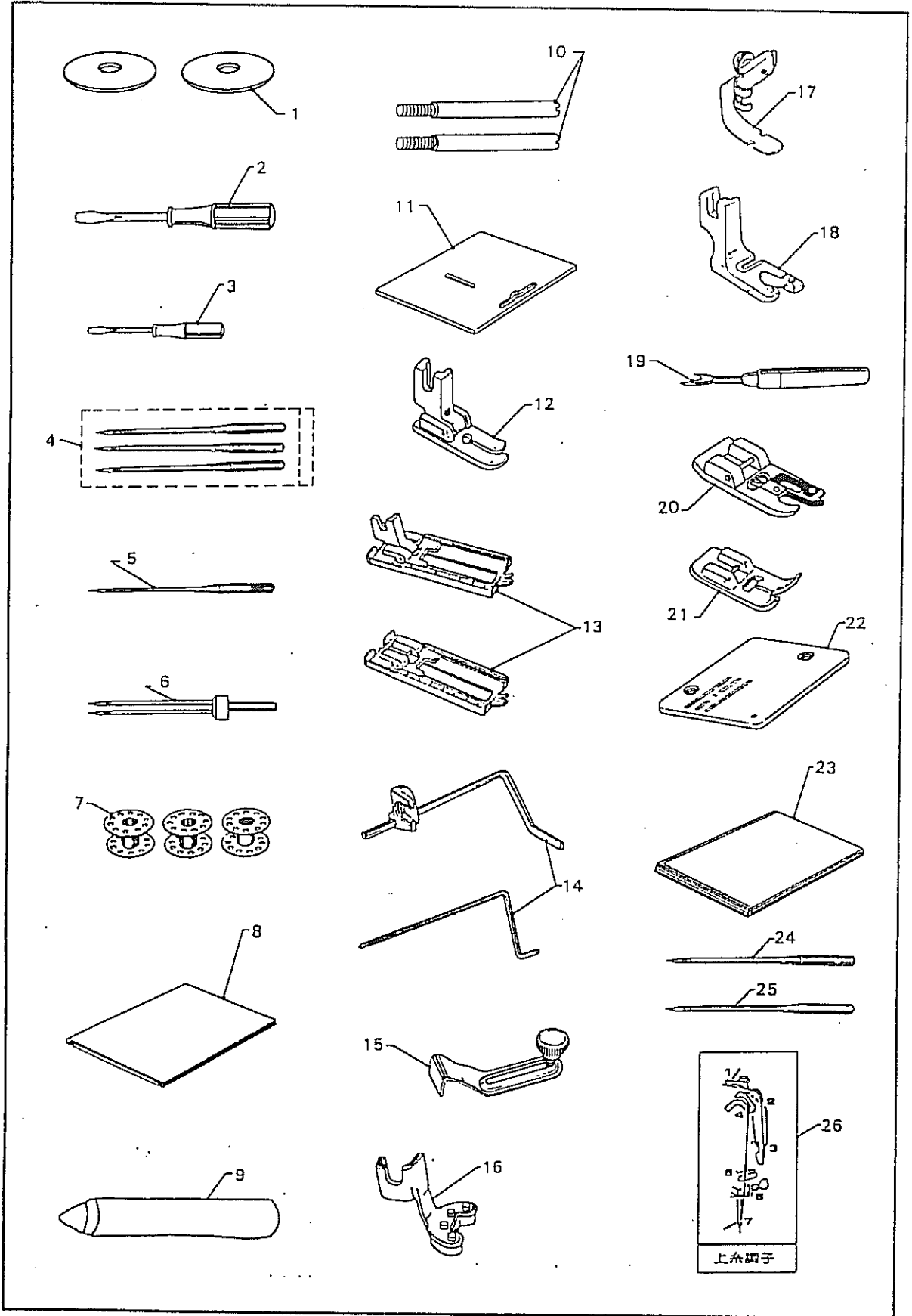
MOD.2700 = 7

MOD.2440 = 8

MOD.2640 = 9

** : Specification Vary From Country to Country.

8. Accessories



INDEX NO.	REF. NO.	PART NAME	@	QTY	MODEL				NO.	
					2200	2400	2600	2700	2440	2640
1.	719002-183	Felt		2	○	○	○	○	○	○
2.	719001-363	Screw Driver — L —		1	○	○	○	○	○	○
3.	719001-364	Screw Driver — S —		1	○	○	○	○	○	○
4.	150002-481	Needle # 14 Set		1	○	○	○	○	○	○
5.	150002-472	Ball Point Needle		1			○	○	○	○
6.	150002-491	Twin Needle		1			○	○		
7.	710003-520	Bobbin 10020		3	○	○	○	○	○	○
8.	520009-111	Instruction Book		1	○					
	560009-111	Instruction Book		1		○				
	550009-111	Instruction Book		1			○			
	570009-111	Instruction Book		1				○		
	580009-111	Instruction Book		1					○	
	590009-111	Instruction Book		1						○
9.	1650009-842	Oiler		1	○	○	○	○	○	○
10.	590002-181	Spool Pin		2					○	○
11.	590001-512	Darning Attachment		1					○	○
12.	150012-371	Straight Sewing Foot								
13.	150032-390	Buttonhole Sewing Foot					○			
	150002-353	Buttonhole Sewing Foot								
14.	719001-366	Quilting Guide								
	150002-355	Quilting Guide								
15.	719001-365	Cloth Guide								
16.	150002-380	Button Sewing Foot								
17.	150002-360	Zipper Foot								
18.	150002-350-A	Roll Hemming Foot								
19.	719001-367	Ripper								
20.	150002-357	Overcasting Foot								
21.	150032-370	Teflon Foot								
22.	550021-511	Straight Sewing Needle Plate								
23.	150089-112	Dust Cover								
24.	150002-473	Needle # 11								
25.	150002-492	Needle # 16								
26.	550009-178	Threading Chart Label								
27.	240006-790	Pattern Cams Set					○			
28.	240026-790	Pattern Cams Set (Option Cams)					○			

* Specification Vary From Country to Country (12-26)

