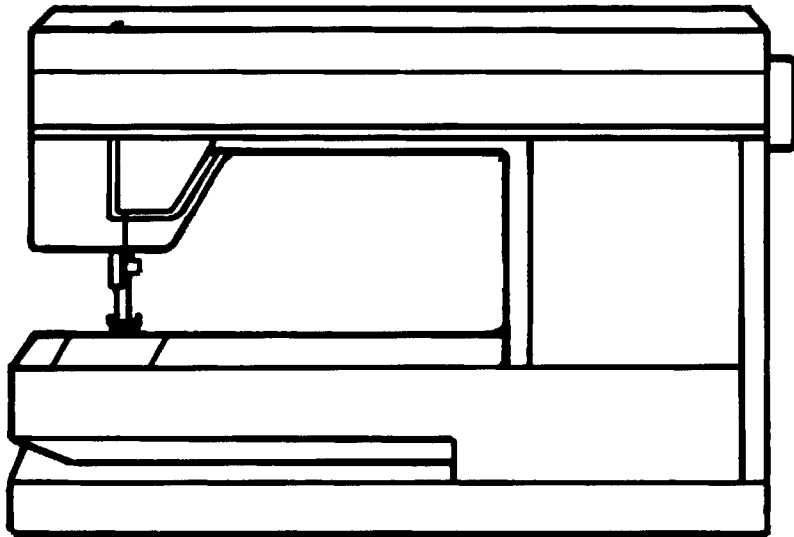


Spare parts
Ersatzteile
Pièces détachées
Reservdelar



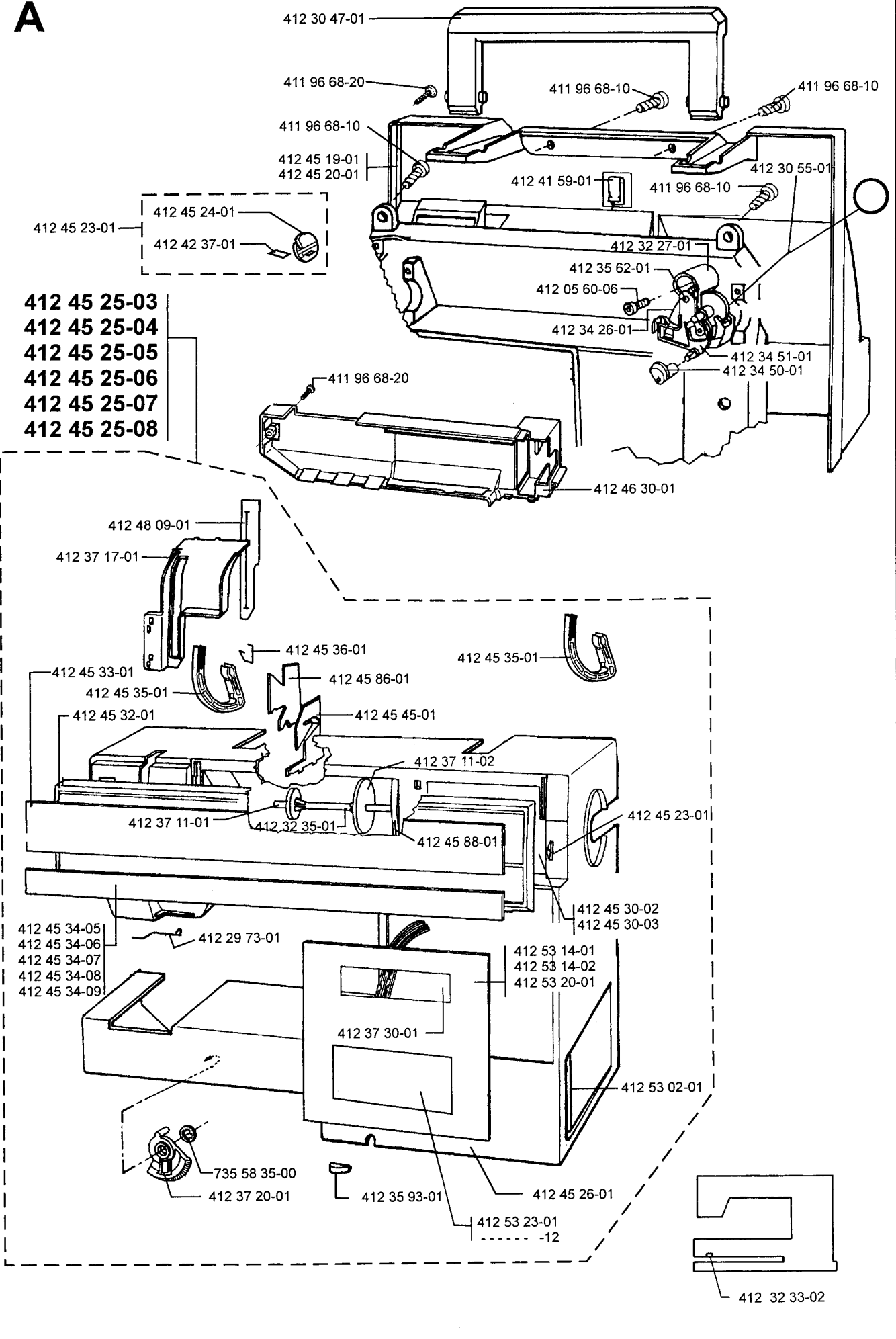
550

540

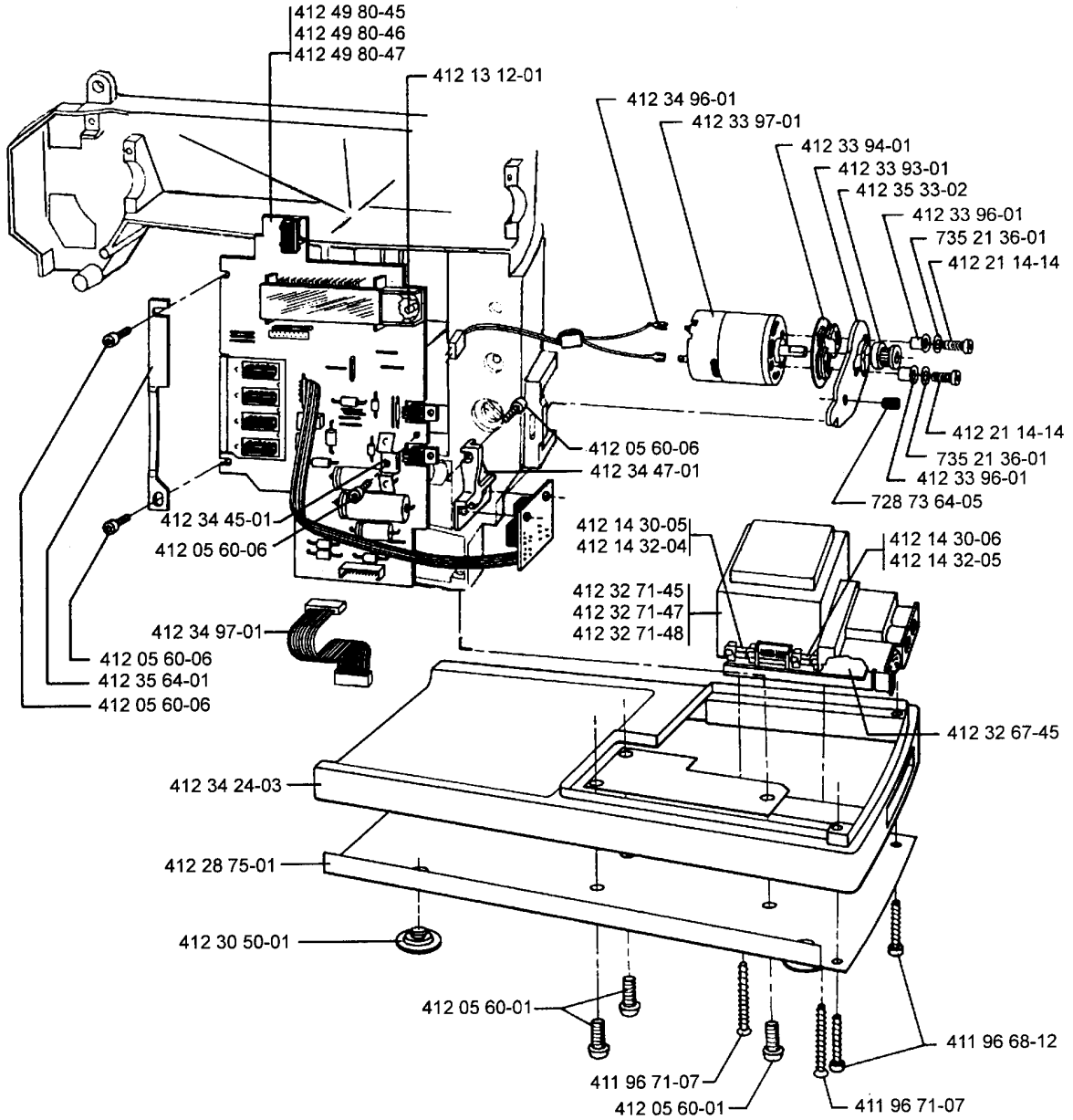
530

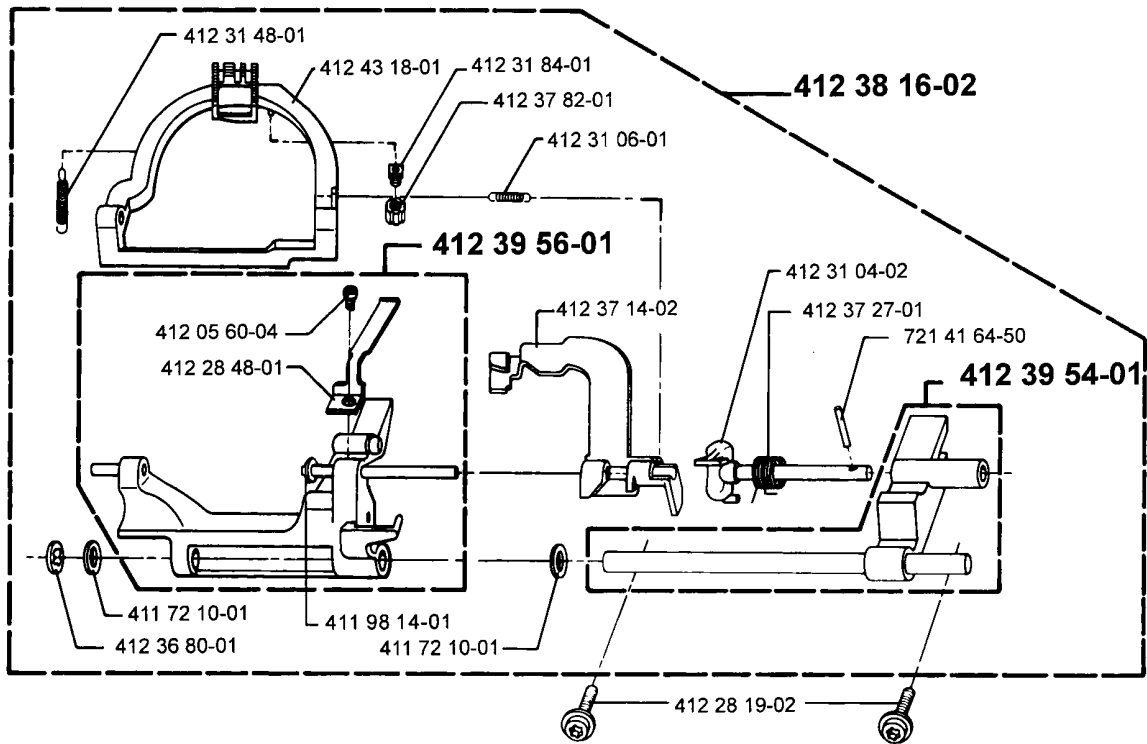
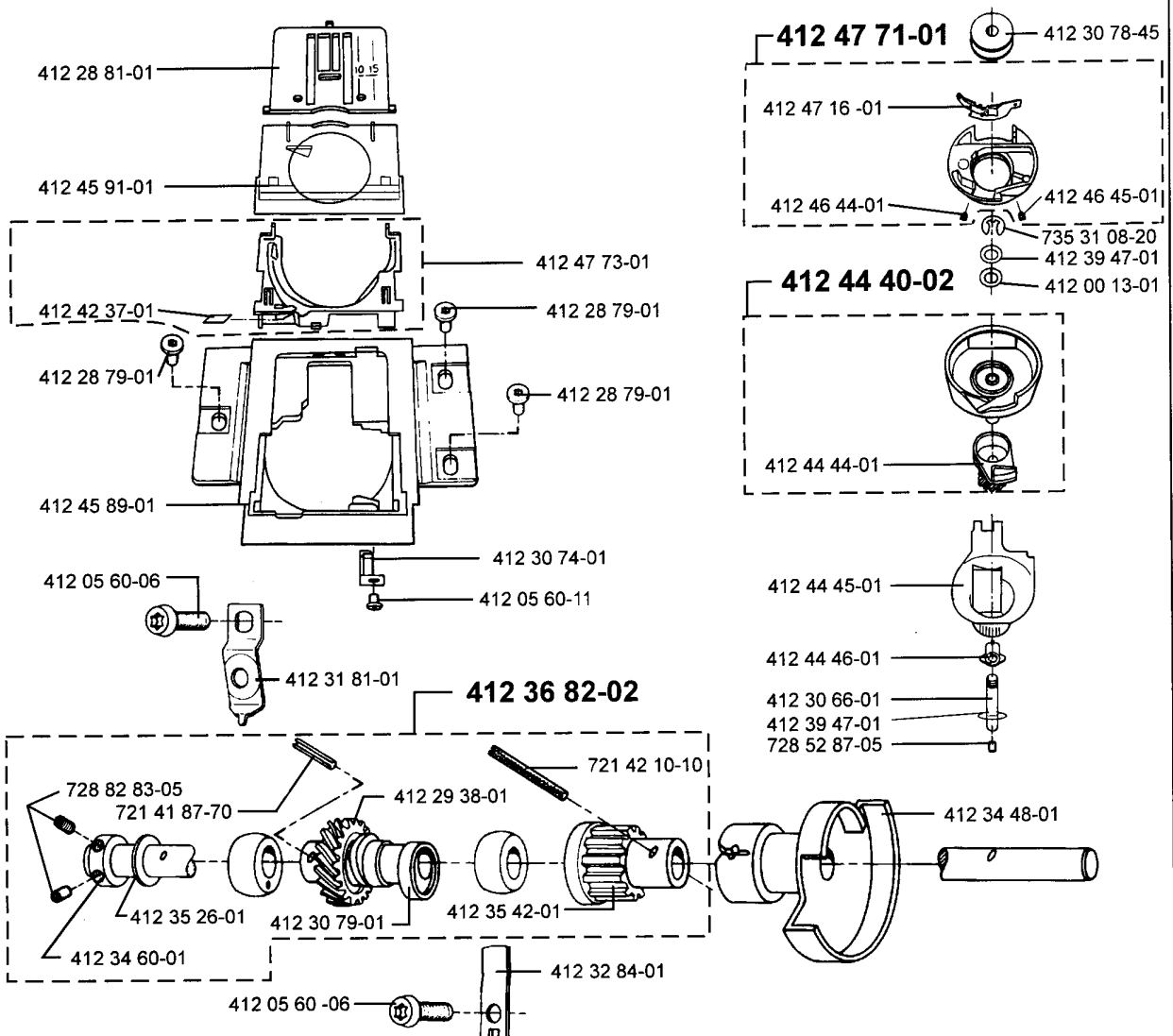
Part no	Description	Square	Part no	Description	Square	Part no	Description	Square
411 72 10-01	Washer	C	412 32 71-48	Transformer 100 V	B	412 45 34-08	Name plate HVA 530	A
411 75 00-07	Needle bar compl.	F	412 32 84-01	Clamp	D,H	412 45 34-09	Name plate Viking 530	A
411 75 02-01	Needle clamp	F	412 33 62-01	Cog wheel	E	412 45 35-01	Hinge	A
411 75 03-02	Stop needle clamp	F	412 33 93-01	Attachment, motor	B	412 45 36-01	Spring, hinge	A
411 75 04-01	Thread guide	F	412 33 94-01	Muffler, motor	B	412 45 43-01	Accessory box	K
411 78 10-03	Light bulb	F	412 33 96-01	Distance sleeve	B	412 45 45-01	Thread guide	A
411 96 68-10	Screw	A	412 33 97-01	Motor 24 V	B	412 45 86-01	Thread guide	A
411 96 68-12	Screw	B	412 34 24-03	Base plate	B	412 45 88-01	Thread support	A
411 96 68-20	Screw	A	412 34 26-01	Spring	A	412 45 89-01	Hook cover	D
411 96 71-07	Screw	B	412 34 42-01	Hard cover	K	412 45 91-01	Hook cover, window	D
411 98 14-01	Washer	C	412 34 45-01	Holder	B	412 46 13-01	Extension table	K
412 00 13-01	Washer	D	412 34 47-01	Holder	B	412 46 30-01	Back cover	A
412 02 41-01	Spring	F	412 34 48-01	Screen	D	412 46 44-01	Adjusting screw, thread tension	D
412 05 60-01	Screw M5*14	B	412 34 50-01	Eccentric	A	412 46 45-01	Screw, thread tension	D
412 05 60-04	Screw M3*6	C,E,F	412 34 51-01	Adjusting arm	A	412 47 16-01	Thread tension compl.	D
412 05 60-06	Screw M4*12	A,B,D,E,H	412 34 54-01	Cog belt	H	412 47 71-01	Bobbin case compl.	D
412 05 60-07	Screw M4*16	G	412 34 60-01	Stop ring	D	412 47 73-01	Case holder compl.	D
412 05 60-10	Screw M3*10	F	412 34 75-01	Feeding step motor	E	412 48 09-01	Protector, take up	A
412 05 60-11	Screw M3*5	D	412 34 79-01	Calibration stop	E,F	412 49 80-45	PC-board 530	B
412 13 12-01	Bulb 4 V	B	412 34 80-02	Damper	E,F	412 49 80-46	PC-board, 540	B
412 13 30-05	Fuse 6.3 A/250 V	B	412 34 81-01	Spring	E	412 49 80-47	PC-board, 550	B
412 14 30-06	Fuse 2 A/250 V	B	412 34 82-01	Setting screw	E	412 53 02-01	Plug, card hole	A
412 14 32-04	Fuse 3.5 A/250 V (USA)	B	412 34 84-01	Shaft, feeding compl.	E	412 53 14-01	Foil key board 550	A
412 14 32-05	Fuse 2 A/250 V (USA)	B	412 34 85-01	Joint cross	E	412 53 14-02	Foil key board 540	A
412 15 23-02	Cross head compl.	F	412 34 87-01	Spring	E	412 53 20-01	Foil key board 530	A
412 15 78-01	Cord device, stand.	J	412 34 88-01	Fastener, spring	E	412 53 23-01	Guide 350, Swedish	A
412 15 79-03	Cord device, USA, Can.	J	412 34 89-01	Spring	F	412 53 23-02	Guide 350, Danish	A
412 15 80-02	Cord device, England	J	412 34 91-01	Attachment	F	412 53 23-03	Guide 350, Finnish	A
412 15 81-01	Cord device, Australia	J	412 34 92-01	Cog wheel	F	412 53 23-04	Guide 350, Norwegian	A
412 15 98-01	Spring	J	412 34 96-01	Cablage motor	B	412 53 23-05	Guide 350, French	A
412 18 45-01	Foot	J	412 34 97-01	Cable for PC-board	B	412 53 23-06	Guide 350, Dutch	A
412 21 14-02	Screw, torx M3*6	F	412 35 26-01	Washer	D	412 53 23-07	Guide 350, Italian	A
412 21 14-03	Screw, torx M3*8	F	412 35 31-01	Thread tension set	G,K	412 53 23-08	Guide 350, German	A
412 21 14-14	Screw, torx M4*16	B	412 35 33-02	Driving wheel compl.	B	412 53 23-09	Guide 350, Spanish	A
412 22 98-01	Locking nut	E	412 35 42-01	Pulley	D	412 53 23-10	Guide 350, Polish	A
412 28 19-02	Screw	C,F	412 35 56-01	Sleeve, lamp	K	412 53 23-11	Guide 350, Czechish	A
412 28 19-03	Screw M4*14	F	412 35 62-01	Pin	A	412 53 23-12	Guide 350, Russian	A
412 28 48-01	Spring	C	412 35 64-01	Holder	B	412 53 28-01	Name plate, 550	A
412 28 51-01	Adjusting arm	F	412 35 93-01	Cover	A	412 53 36-01	Name plate, 540	A
412 28 54-01	Presser bar	F	412 36 14-01	Opener, stitch plate	K	412 53 37-01	Name plate, 530	A
412 28 75-01	Base plate	B	412 36 78-01	Spring	G	721 11 87-50	Pin	F
412 28 79-01	Screw	D	412 36 80-01	Locking washer	C	721 41 64-50	Pin	C
412 28 81-01	Stitch plate	D	412 36 82-02	Lower shaft compl.	D	721 41 69-70	Pin	E
412 29 38-01	Worm gear	D	412 36 83-01	Arm shaft	H	721 41 87-70	Pin	D,H
412 29 73-01	Thread guide	A	412 36 84-01	Cog belt	H	721 42 10-10	Pin	D
412 30 01-01	Washer	H	412 36 87-01	Pin	H	725 52 20-05	Screw M3*6	E
412 30 06-01	Driver	H	412 37 11-01	Thread reel disc 20 mm	A	725 62 91-01	Screw M4*12	F
412 30 07-01	Spring	H	412 37 11-02	Thread reel disc 40 mm	A	728 52 17-05	Screw M3*3	E,F
412 30 08-01	Pulley	H	412 37 14-02	Lever feed lift	C	728 52 18-05	Screw M5*6	F
412 30 09-01	Hand wheel	H	412 37 17-01	Screen	A	728 52 85-05	Screw M4*6	F
412 30 16-01	Link	G	412 37 20-01	Knob, feed dog lowering	A	728 52 87-05	Screw M4*8	D
412 30 21-01	Locking washer	G	412 37 27-01	Spring	C	728 53 20-05	Screw M5*5	H
412 30 24-01	Crank arm	G	412 37 30-01	Window, foil keyboard	A	728 73 20-01	Screw	H
412 30 30-01	Guide arm	F	412 37 35-01	Connector sensor	F	728 73 64-05	Screw 6*10 mm	B
412 30 47-01	Handle	A	412 37 82-01	Nut	C	728 82 83-05	Screw M4*4	D,H
412 30 50-01	Foot	B	412 38 16-02	Feeding unit compl.	C	735 21 36-01	Locking washer	B
412 30 55-01	Rubber ring	A	412 39 09-03	Plastic bag with access. 530	K	735 31 08-00	C-washer	F
412 30 66-01	Shuttle shaft	D	412 39 09-12	Plastic bag with access. 550,540	K	735 31 08-20	C-washer	D
412 30 74-01	Damper	D	412 39 44-01	Thread take up	F	735 58 35-00	Locking washer	A
412 30 78-45	Plastic bobbins (10-pac)	D,K	412 39 47-01	Washer	D	735 58 55-00	Locking washer	H
412 30 79-01	Eccentric feed	D	412 39 54-01	Feed unit compl.	C	735 61 24-40	Compression ring 3mm	G
412 30 83-02	Frame, sewing head compl.	F	412 39 56-01	Frame carriage	C	735 61 36-40	Compression ring 4mm	F
412 30 91-03	Regulating dial	F	412 39 59-02	Sewing head compl.	F	735 61 53-40	Compression ring 6mm	F
412 30 96-02	Presser bar guide	F	412 39 70-01	Guide connector	F	ACCESSORIES		
412 30 97-01	Presser bar lifter	F	412 40 97-01	Screw	F	401 53 99-01	Buttonhole knife	K
412 31 04-02	Guide compl.	C	412 40 98-01	Screw needle clamp	F	401 55 55-01	Brush	K
412 31 06-01	Spring	C	412 41 12-01	Ankel	F	411 17 32-01	Button reed	K
412 31 41-01	Foot control compl.	J	412 41 59-01	Clip	A	412 01 76-01	Hemmer 10 mm	K
412 31 44-01	Cable standard	J	412 42 37-01	Thread knife	A,D	412 34 66-45	Glide plates	K
412 31 44-02	Cable USA, Can, Japan	J	412 43 18-01	Feed dog	C	412 34 73-01	Gathering foot	K
412 31 48-01	Spring	C	412 44 40-02	Hook	D	412 38 15-01	Screw driver medium	K
412 31 60-41	Shaft, sewing frame	F	412 44 44-01	Cog wheel	D	412 38 00-01	Presser foot "A"	K
412 31 76-01	Toothed segment	F	412 44 45-01	Dust cover	D	412 38 01-01	Presser foot "B"	K
412 31 79-01	Clutch	H	412 44 46-01	Adjusting washer	D	412 38 02-01	Buttonhole foot "C"	K
412 31 81-01	Clamp, lower shaft	D	412 45 19-01	Back cover	A	412 38 04-01	Blind stitch foot "D"	K
412 31 84-01	Bushing, feed dog	C	412 45 20-01	Back cover, blank cover	A	412 38 05-01	Zipper foot "E"	K
412 31 89-01	Control unit	J	412 45 23-01	Thread knife	A	412 38 06-01	Edging foot "J"	K
412 32 27-01	Bobbin winding	A	412 45 24-01	Holder, thread knife	A	412 40 80-01	Buttonhole sensor foot	K
412 32 33-02	Sealing washer	A	412 45 25-03	Front cover compl. HVA 550	A	OPERATING MANUAL 550/540		
412 32 34-03	Step motor, feeding	E	412 45 25-04	Front cover compl. Viking 550	A	412 53 25-01	Operating man. Swe	K
412 32 34-07	Step motor, sewing head	F	412 45 25-05	Front cover compl. HVA 540	A	412 53 25-06	Operating man. Dan	K
412 32 35-01	Reel pin	A	412 45 25-06	Front cover compl. Viking 540	A	412 53 25-11	Operating man. Fin	K
412 32 43-01	Thread reel pin	K	412 45 25-07	Front cover compl. HVA 530	A	412 53 25-21	Operating man. Nor	K
412 32 45-01	Thread tension device	G	412 45 25-08	Front cover compl. Viking 530	A	412 53 25-26	Operating man. Eng	K
412 32 47-01	Lever thread tension	G	412 45 26-01	Front cover	A	412 53 25-31	Operating man. Fra	K
412 32 49-01	Screw thread tension	G	412 45 30-02	Guide, quick info 550	A	412 53 25-36	Operating man. Dutch	K
412 32 50-01	Spring holder	G	412 45 30-03	Guide, quick info 540	A	412 53 25-41	Operating man. Ita	K
412 32 51-01	Adjustment dial	G	412 45 32-01	Cover	A	412 53 25-46	Operating man. Spa	K
412 32 67-45	PC-board transformer	B	412 45 33-01	Window	A	412 53 25-51	Operating man. Ger	K
412 32 71-45	Transformer 220-240 V	B	412 45 34-05	Name plate 550	A	412 53 25-56	Operating man. Russian	K
412 32 71-47	Transformer 120 V	B	412 45 34-06	Name plate HVA 540	A	OPERATING MANUAL 530		
			412 45 34-07	Name plate Viking 540	A	412 53 27-05	Operating man. Swe/Fin	K
						412 53 27-06	Operating man. Dan /Nor	K
						412 53 27-31	Operating man. Fra/Dutch	K
						412 53 27-35	Operating man. Ger/Ita	K
						412 53 27-45	Operating man. Eng/Spa	K
						412 53 27-56	Operating man. Russian	K

A

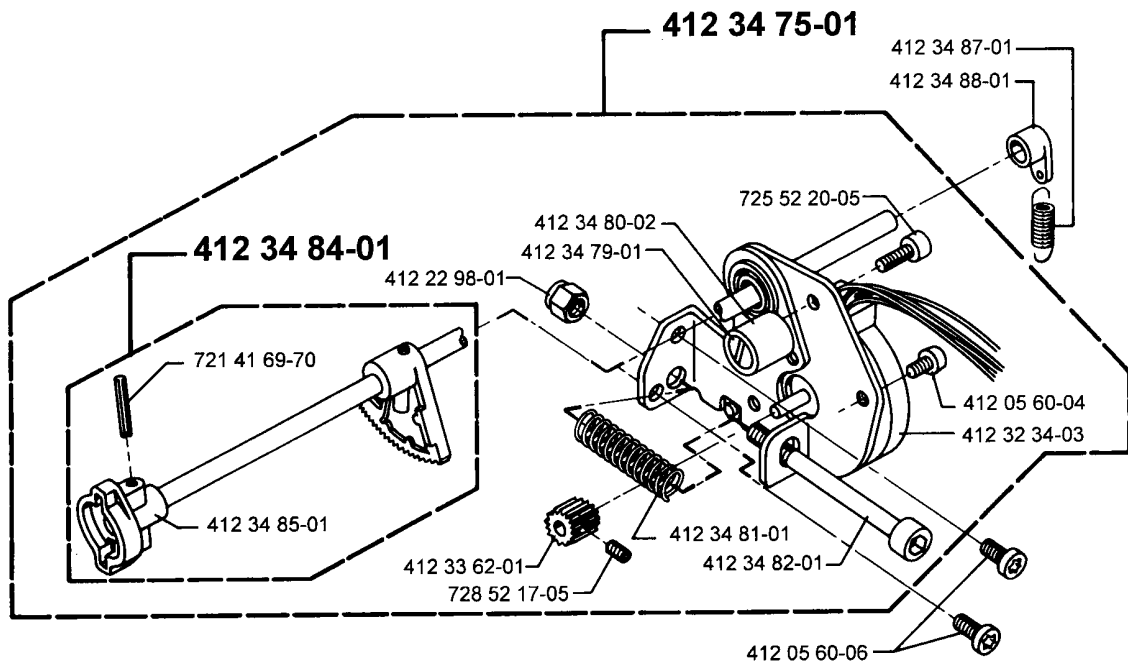


B

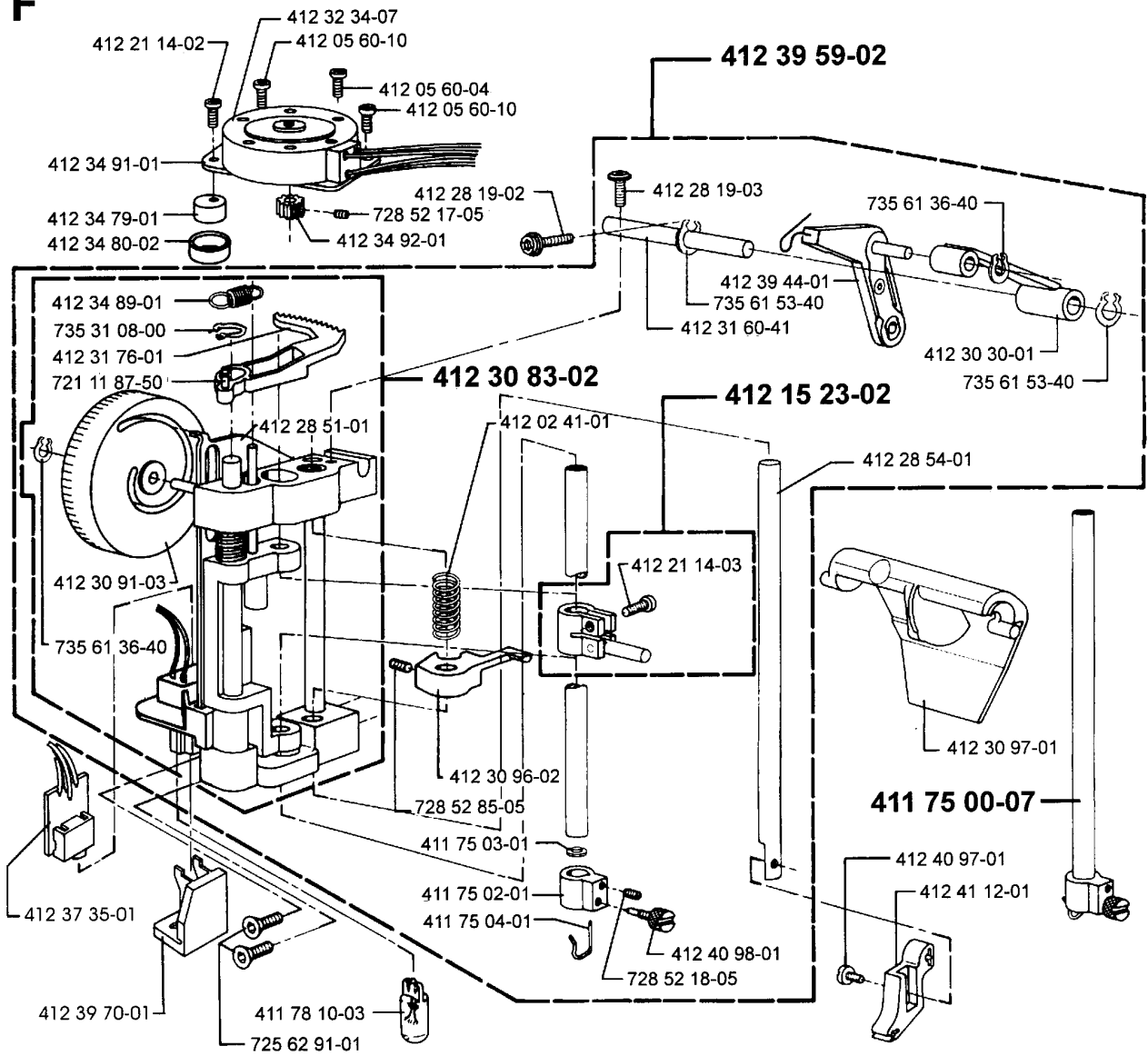


C**D**

E

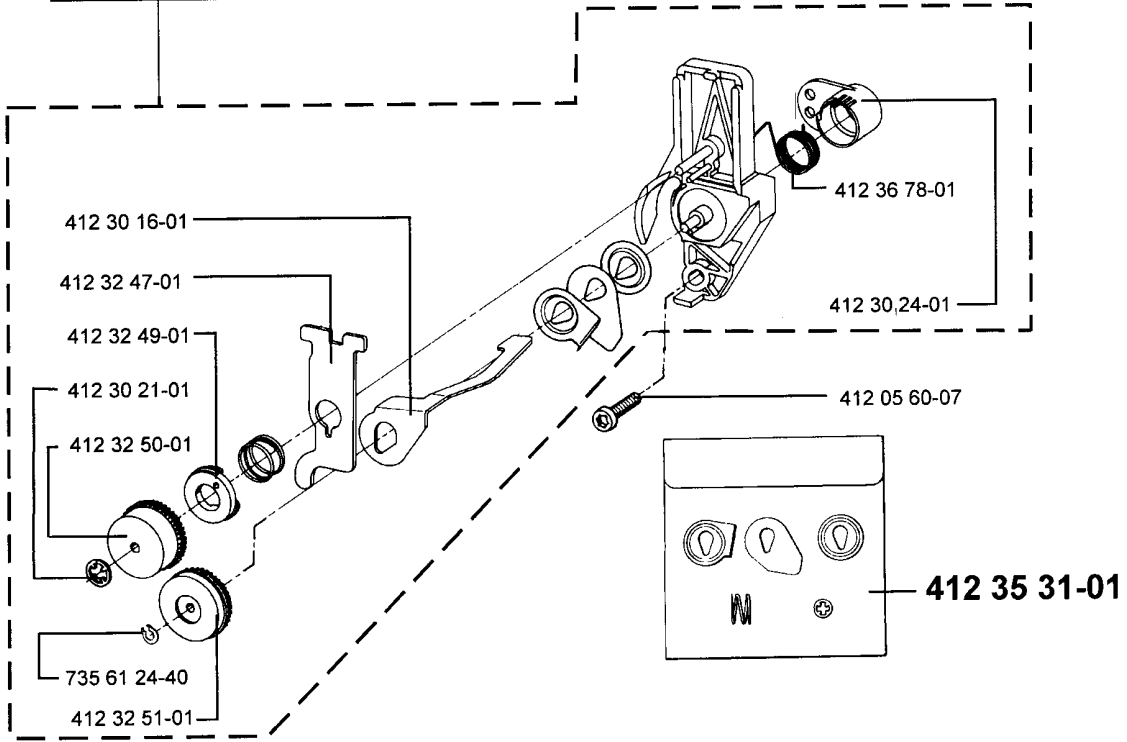


F



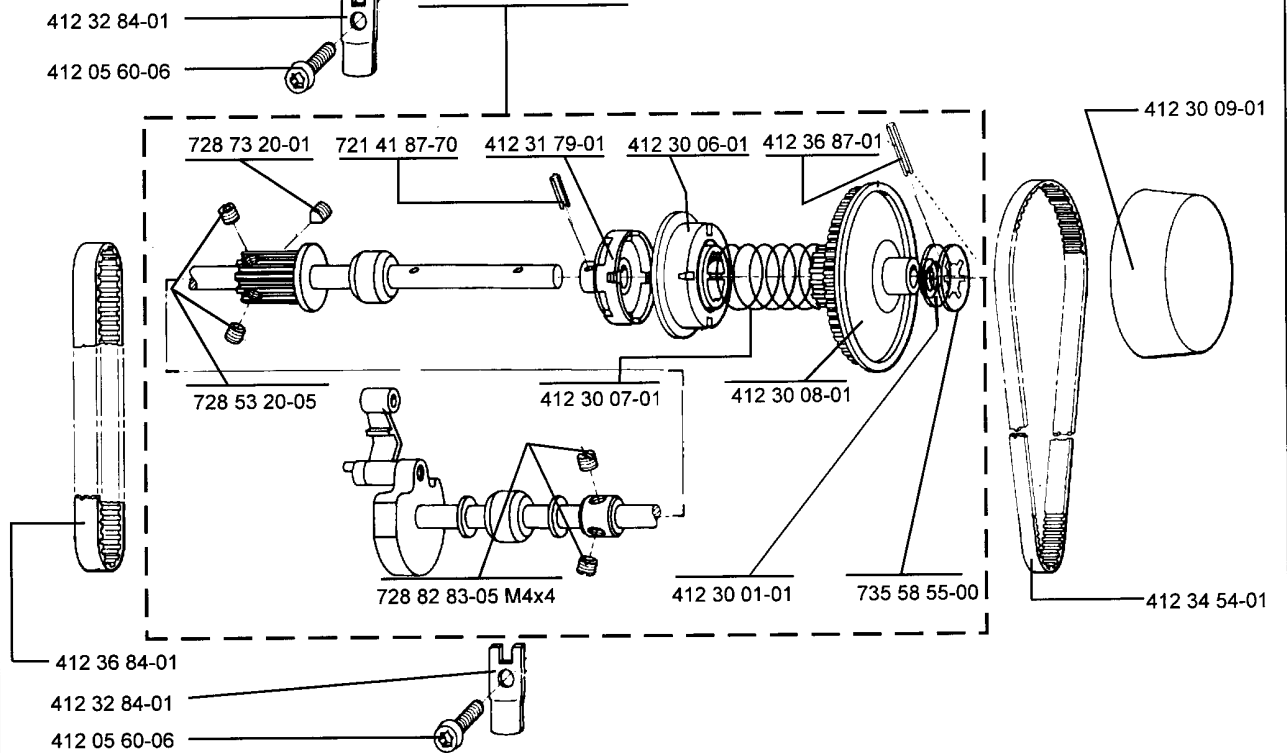
G

412 32 45-01



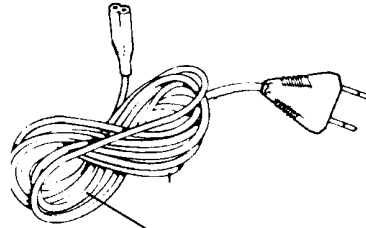
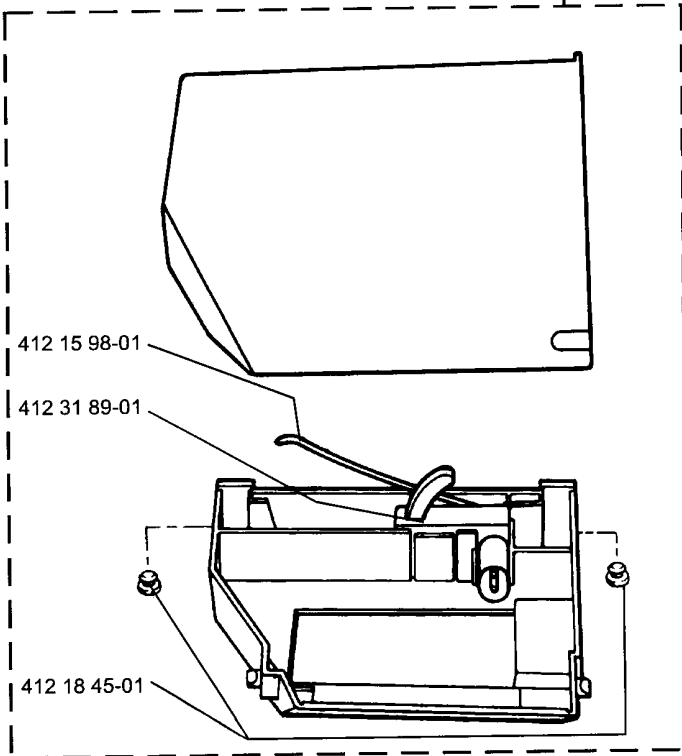
H

412 36 83-02

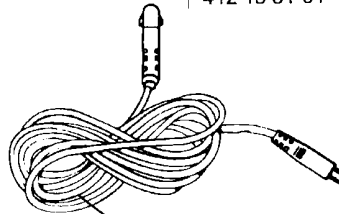


J

412 31 41-01

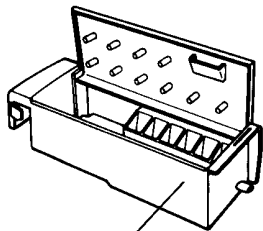


412 15 78-01
 412 15 79-03
 412 15 80-02
 412 15 81-01

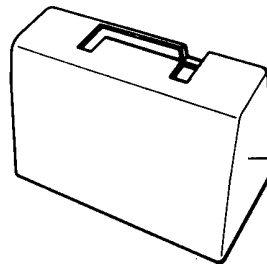


412 31 44-01
 412 31 44-02

K

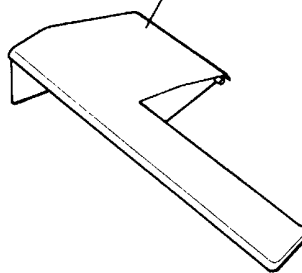


412 45 43-01



412 34 42-01 Hard cover

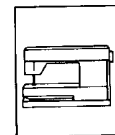
412 46 13-01



412 32 43-01



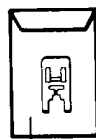
OPERATING MANUALS



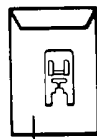
ACCESSORIES



412 35 31-01
 Thread tension
 set



412 39 09-03
 Plastic bag
 with access.
 530



412 39 09-12
 Plastic bag
 with access.
 550,540



412 30 78-45
 Plastic bobbins
 10 pac



412 35 56-01



412 36 14-01