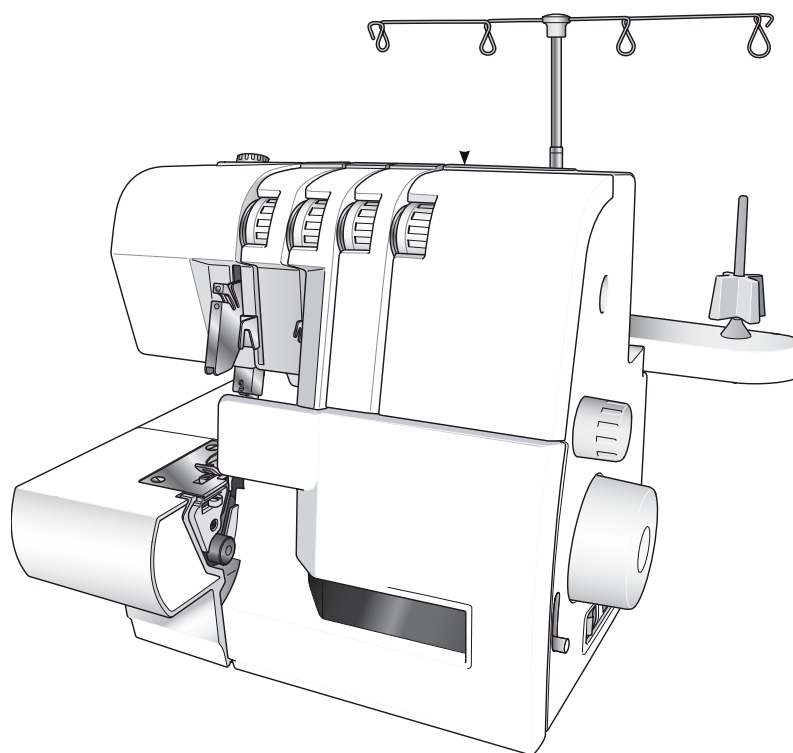


Parts list



Huskylock s15



Please note that on disposal, this product must be safely recycled in accordance with relevant National legislation relating to electrical/electronic products. If in doubt please contact your retailer for guidance.

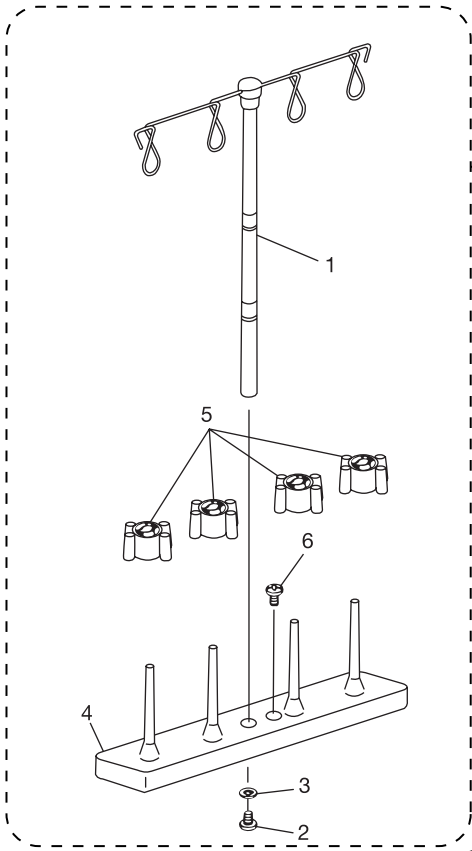


Bitte beachten Sie, dass hinsichtlich der Entsorgung dieses Produkts, vorschriftsmäßig entsprechend der gültigen nationalen Gesetzgebung für elektrische/elektronische Produkte, recycelt werden muss. Bei Zweifel setzen Sie sich bitte mit Ihrem Fachhändler in Verbindung.

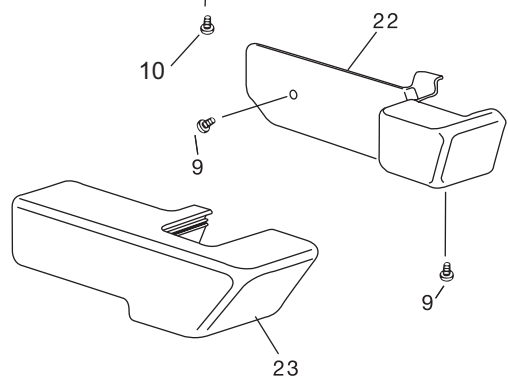
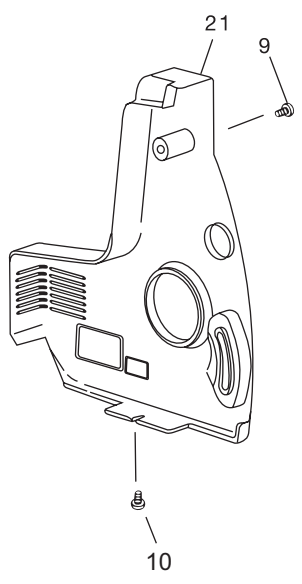
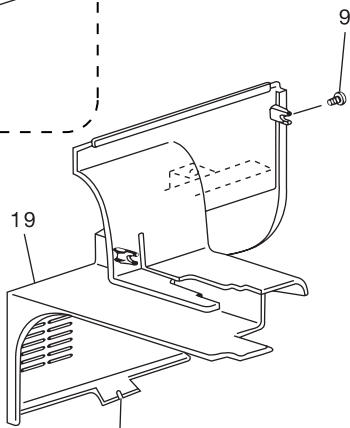
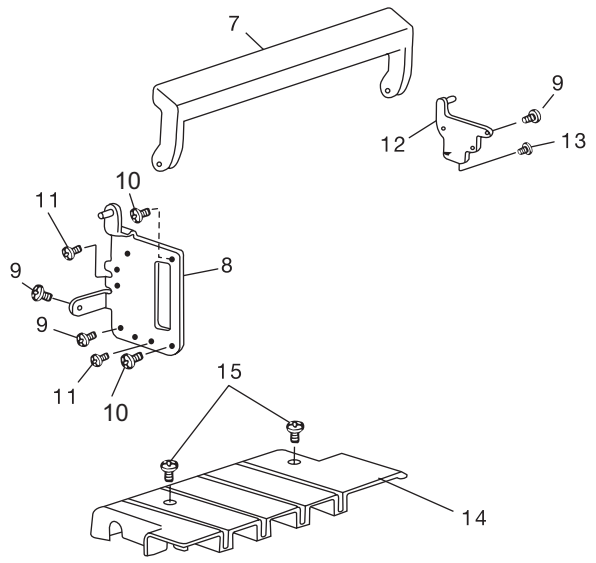


Veuillez noter qu'en cas de destruction, ce produit doit bénéficier d'un recyclage sécurisé, conforme à la législation nationale applicable aux produits électriques/électroniques. En cas de doute, veuillez contacter votre distributeur agréé.

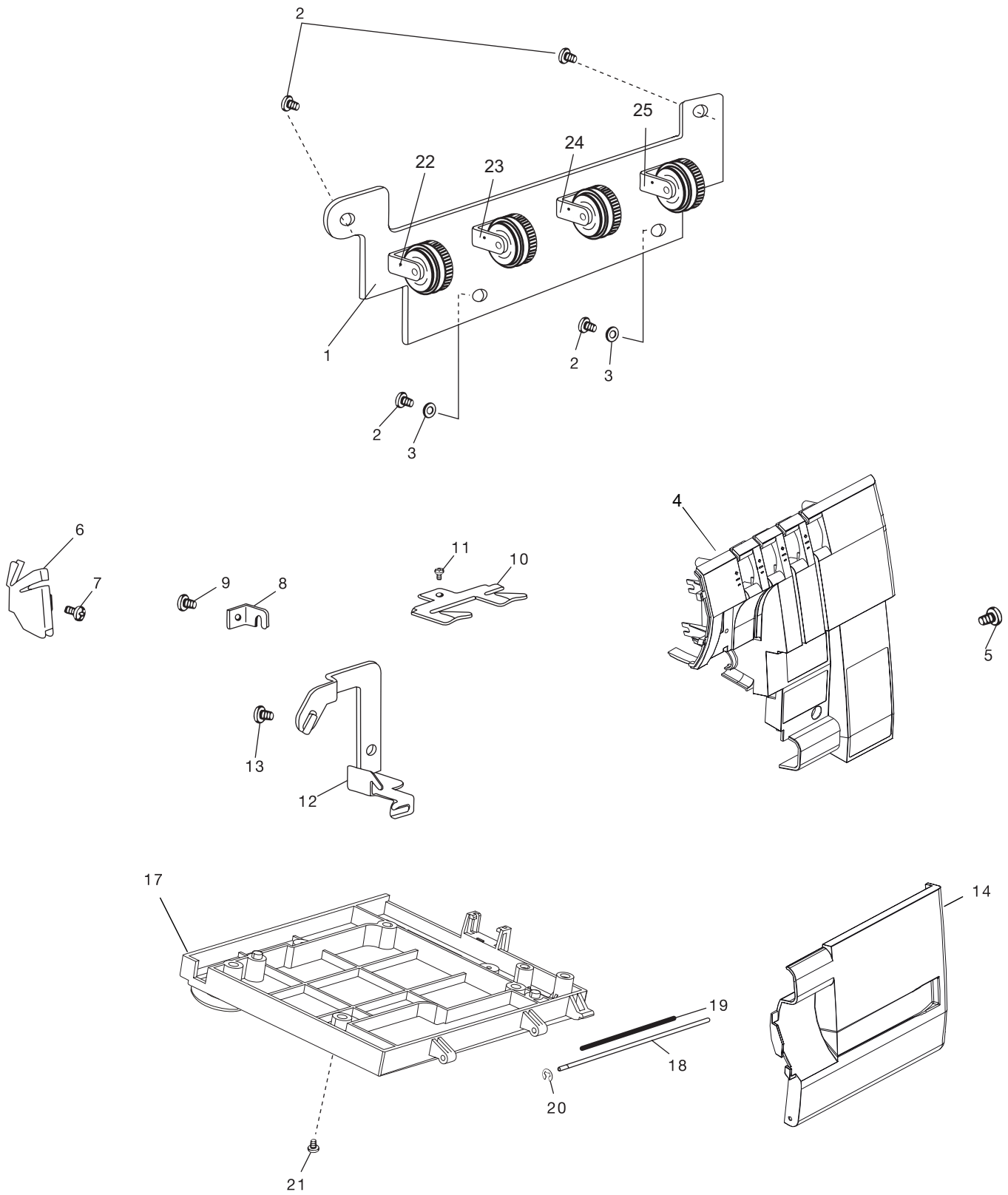
- All casted parts within our products are marked with name of material if allowed by size.
- All molded plastic parts within our products are marked with name of material if allowed by size.
- Innerhalb unserer Produktion werden alle gegossenen Teile mit dem Materialnamen bezeichnet, wenn es deren Größe erlaubt.
- Innerhalb unserer Produktion werden alle geformten Teile mit dem Materialnamen bezeichnet, wenn es deren Größe erlaubt.
- Toutes les pièces moulées (en métal) de nos produits sont marquées du nom du matériau utilisé, quand la taille de la pièce le permet.
- Toutes les pièces moulées (en plastique) de nos produits sont marquées du nom du matériau utilisé, quand la taille de la pièce le permet.



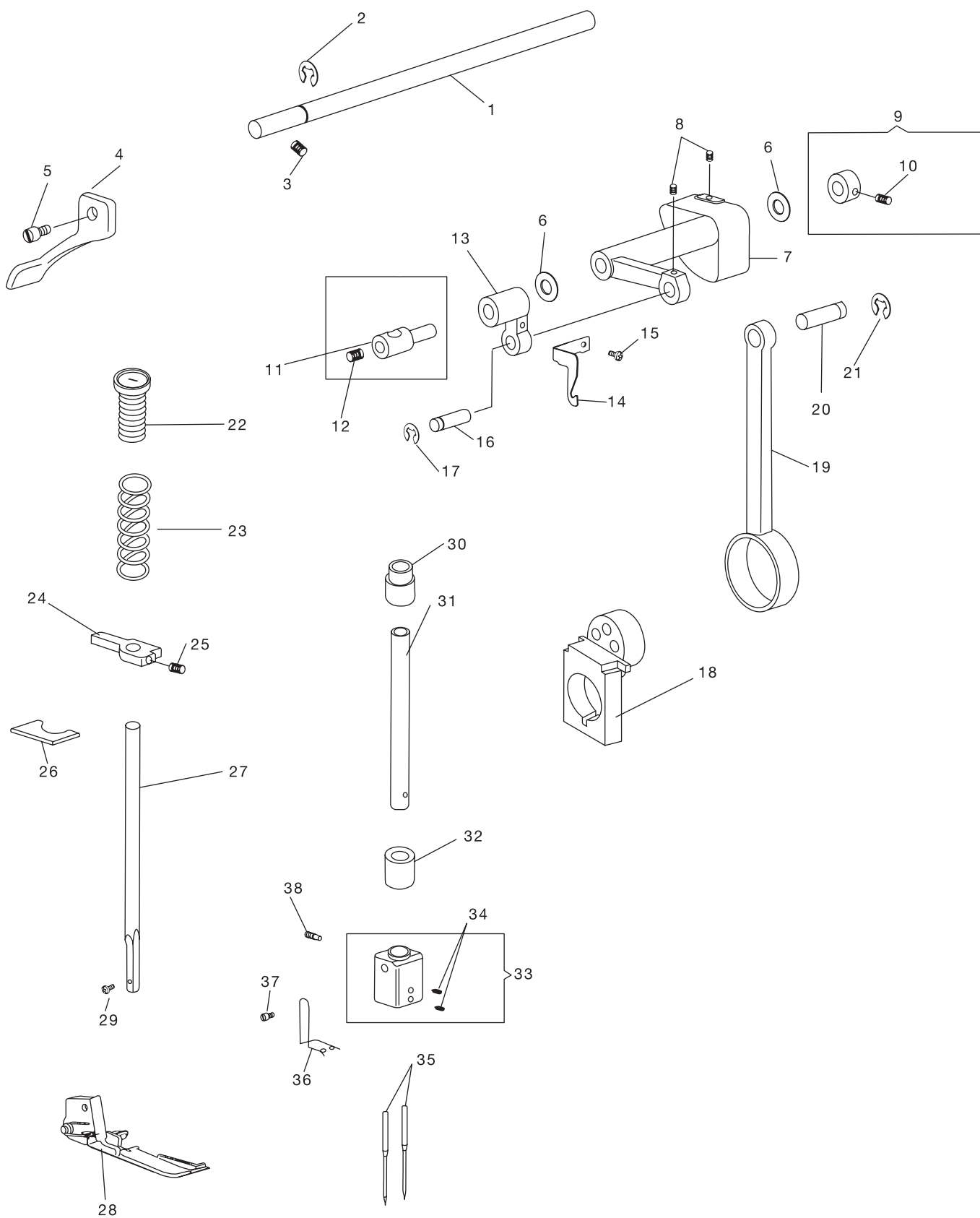
24



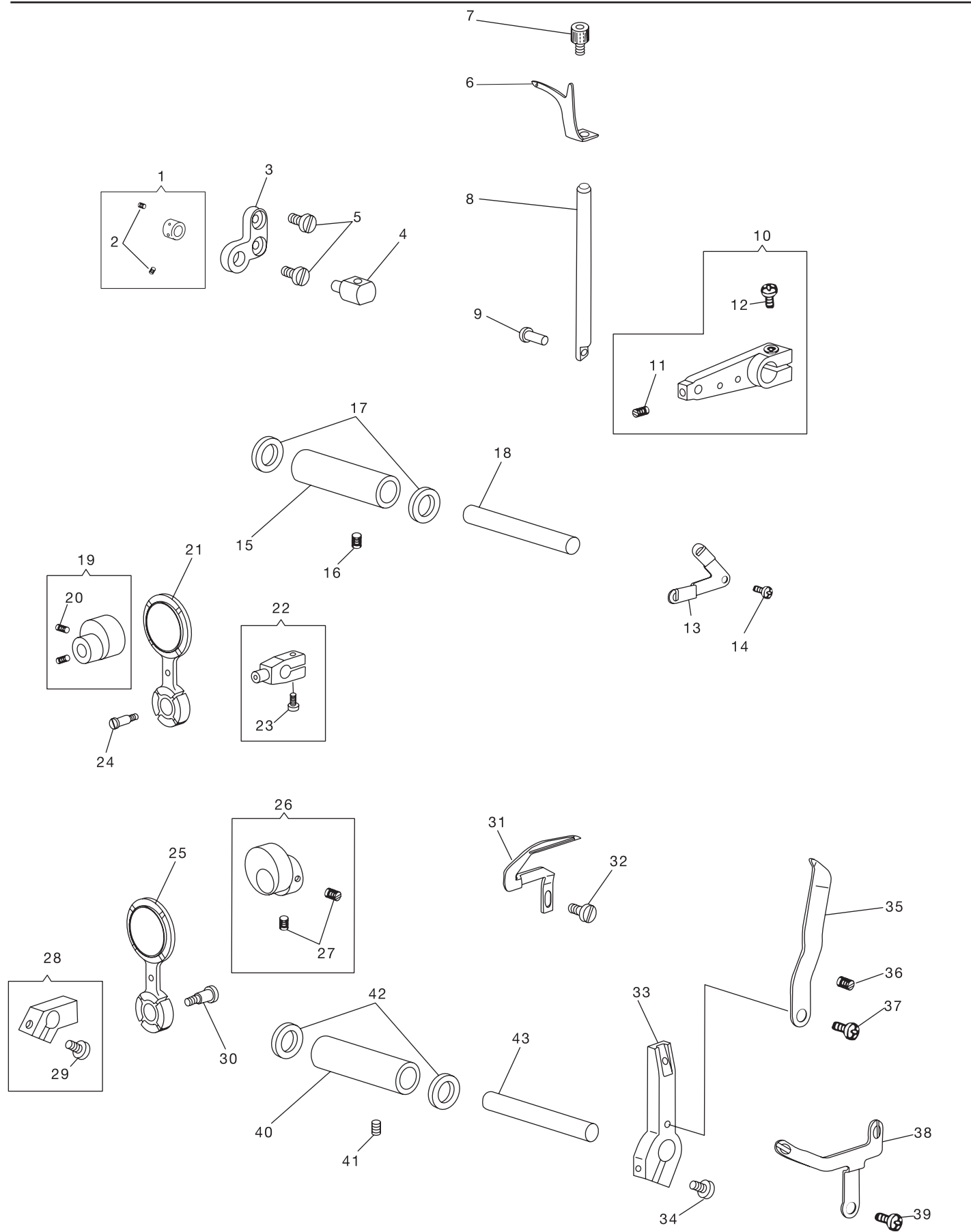
1	416325101	THREAD UNWINDER THREAD GUIDE ROD COMP.
2	416324201	THREAD UNWINDER THREAD GUIDE ROD SCREW
3	416322901	THREAD UNWINDER THREAD GUIDE ROD SCREW WASHER
4	416327801	THREAD STAND
5	416324901	SPOOL HOLDER
6	412697-002	THREAD UNWINDER(COMP.)SCREW
7	416331001	HANDLE
8	N/A	HANDLE BRACKET(LEFT)COMP.
9	416324601	SCREW
10	416333901	SCREW
11	416324101	SCREW
12	N/A	HANDLE BRACKET (RIGHT) COMP.
13	416324101	HANDLE BRACKET (RIGHT) COMP.SCREW
14	416330001	TOP COVER COMP.
15	416324301	TOP COVER SCREW
19	416330401	REAR COVER
20		
21	416329701	PULLEY COVER
22	416330901	CYLINDER COVER
23	416328301	CLOTH PLATE COMP.
24	416330201	THREAD UNWINDER compl



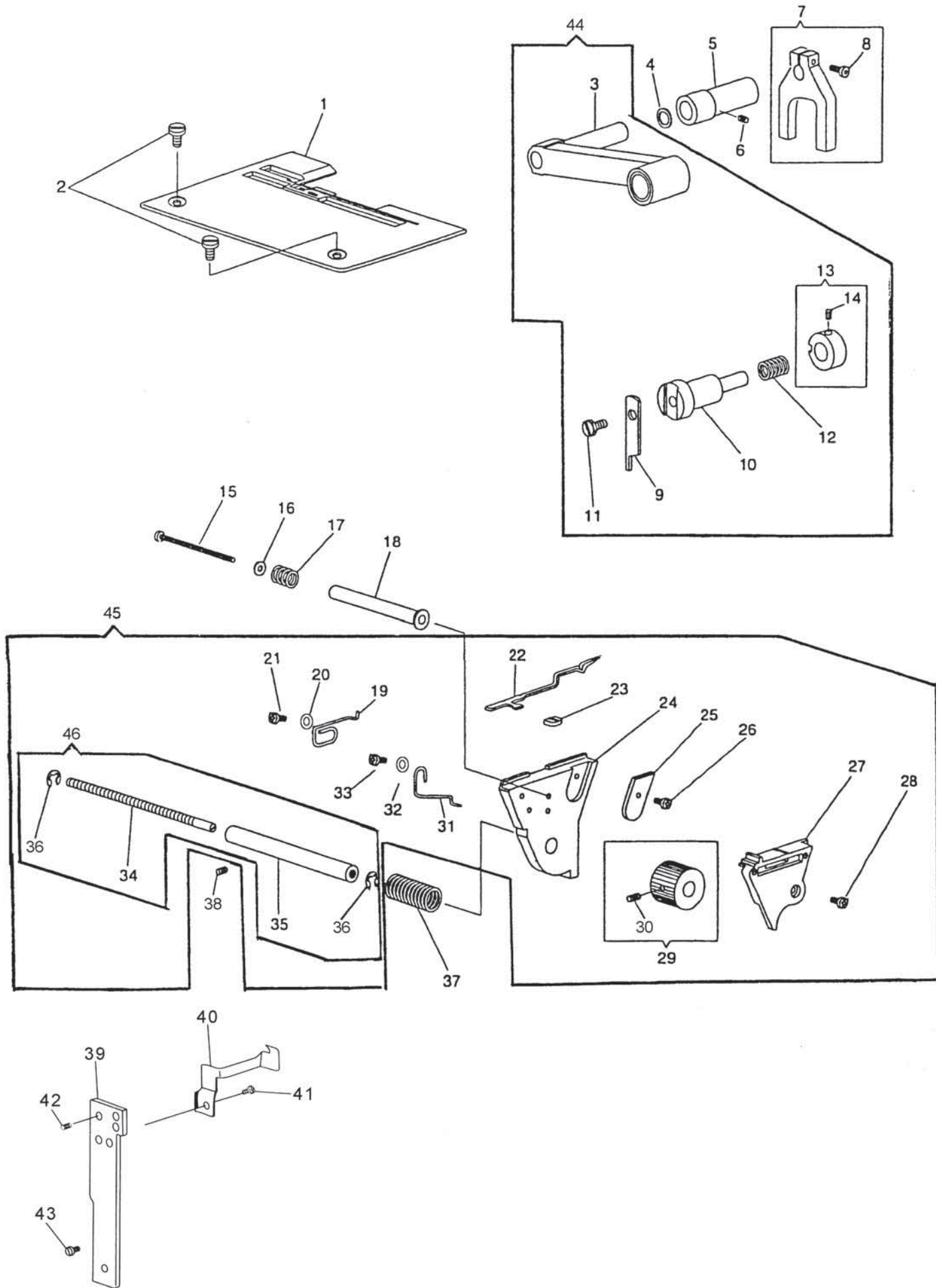
1	N/A	ONETURN TENSION DIAL COMP.
2	N/A	ONETURN TENSION DIAL COMP.SET SCREW
3	N/A	ONETURN TENSION DIAL COMP.SET SCREW WASHER
4	416329801	FRONT COVER (GRAPHIC)
5	416324601	FRONT COVER SCREW
6	416319701	FRONT COVER THREAD GUIDE
7	416321901	FRONT COVER THREAD GUIDE BRACKET SCREW
8	416321601	FRONT COVER THREAD GUIDE (SMALL)
9	416322001	FRONT COVER THREAD GUIDE (SMALL) SCREW
10	N/A	FRONT COVER THREAD GUIDE (LOWER)
11	416323701	SCREW
12	N/A	LOOPER THREAD GUIDE
13	416322001	LOOPER THREAD GUIDE SCREW
14	416334601	LOOPER COVER
17	416329901	MACHINE BASE COMP
18	416333801	LOOPER COVER HINGE PIN
19	416327401	LOOPER COVER HINGE PIN SPRING
20	416322501	LOOPER COVER HINGE PIN RETAINING RING
21	416324501	MACHINE BASE SCREW
22	416328401	One Turn Tension Dial Comp. (Left Needle Thread)
23	416328501	One Turn Tension Dial Comp. (Right Needle Thread)
24	416328701	One Turn Tension Dial Comp. (Right Looper Thread)
25	416328601	One Turn Tension Dial Comp. (Left Looper Thread)



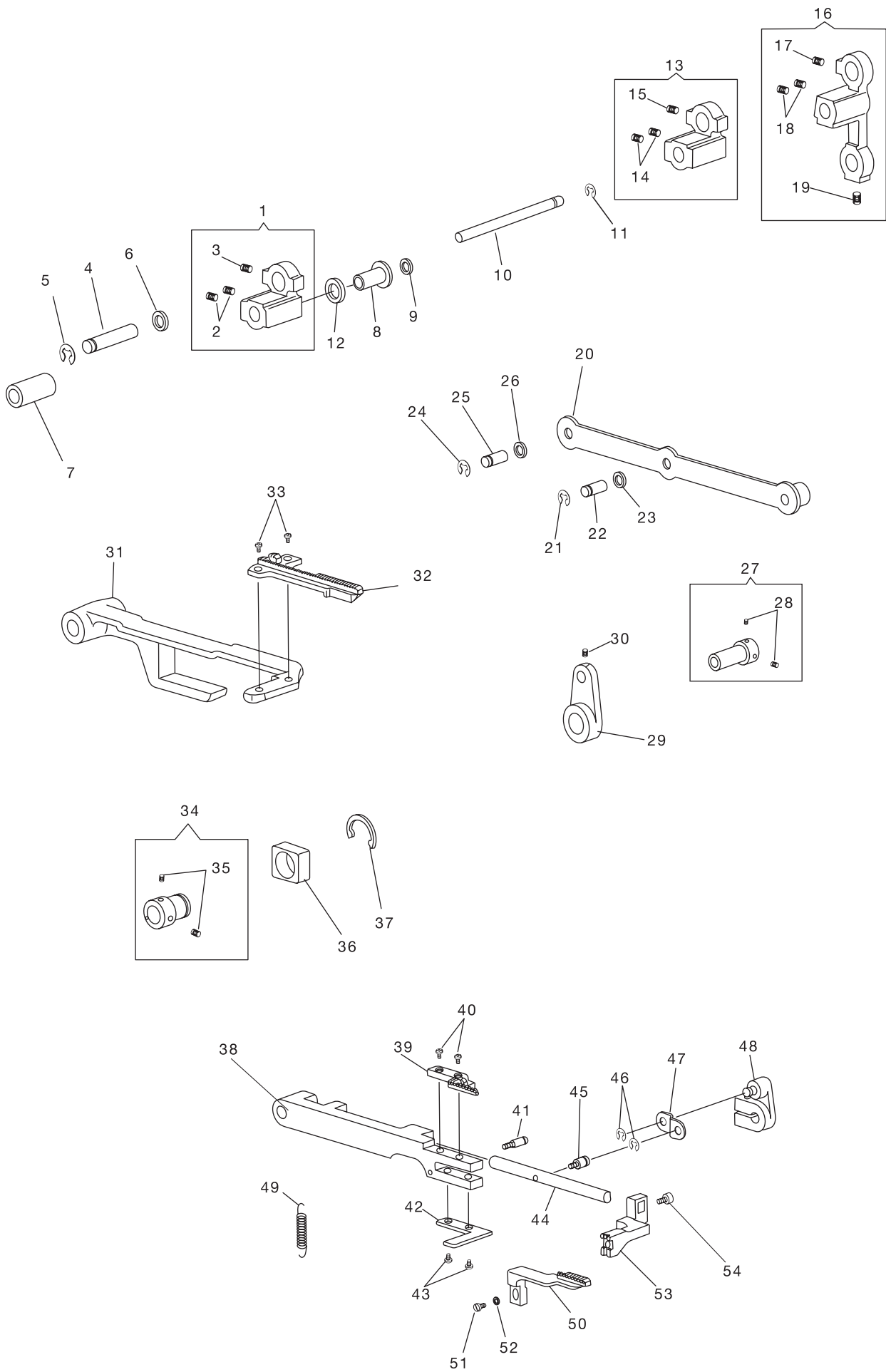
1	N/A	ARM SHAFT
2	416322701	ARM SHAFT RETAINING RING
3	416323501	ARM SHAFT SET SCREW
4	416331101	PRESSER BAR LIFTER
5	N/A	PRESSER BAR LIFTER SCREW STUD
6	416322301	THRUST WASHER
7	N/A	NEEDLE BAR CRANK
8	416323501	NEEDLE BAR CRANK ROD PIN SCREW
9	N/A	ARM SHAFT COLLAR COMP.
10	416323501	ARM SHAFT COLLAR SCREW
11	416321201	NEEDLE BAR CONNECTING STUD
12	416323301	NEEDLE BAR CONNECTING STUD SCREW
13	N/A	NEEDLE BAR CONNECTING LINK
14	416319801	STRIKER
15	416323801	STRIKER SCREW
16	N/A	NEEDLE BAR CONNECTING LINK PIN
17	416322601	NEEDLE BAR CONNECTING LINK PIN RETAINING RING
18	N/A	NEEDLE BAR ECC. KNIFE (MOVABLE) FORKED LEVER SLIDE BLOCK
19	N/A	NEEDLE BAR CRANK ROD
20	N/A	NEEDLE BAR CONNECTING LINK PIN
21	416322601	NEEDLE BAR CONNECTING LINK PIN RETAINING RING
22	416328801	PRESSER REGULATING THUMB COMP.
23	416321301	PRESSER BAR SPRING
24	N/A	PRESSER BAR GUIDE BRACKET
25	416323401	PRESSER BAR GUIDE BRACKET SCREW
26	416325001	PRESSER BAR OIL FELT
27	416331201	PRESSER BAR
28	416325201	PRESSER FOOT COMP (SNAP-ON TYPE)
29	416322201	PRESSER FOOT SCREW
30	N/A	NEEDLE BAR BUSHING (UPPER)
31	416320801	NEEDLE BAR
32	N/A	NEEDLE BAR BUSHING (LOWER)
33	416327501	NEEDLE CLAMP (BODY) COMP.(FOR 4 THREAD)
34	416320701	NEEDLE SET SCREW
35	6200795-96	OVERLOCKNEEDLE ELx705 80, 5-PACK
36	416320901	NEEDLE CLAMP THREAD GUIDE
37	416324001	NEEDLE CLAMP THREAD GUIDE SET SCREW
38	416320401	NEEDLE CLAMP (BODY) SCREW



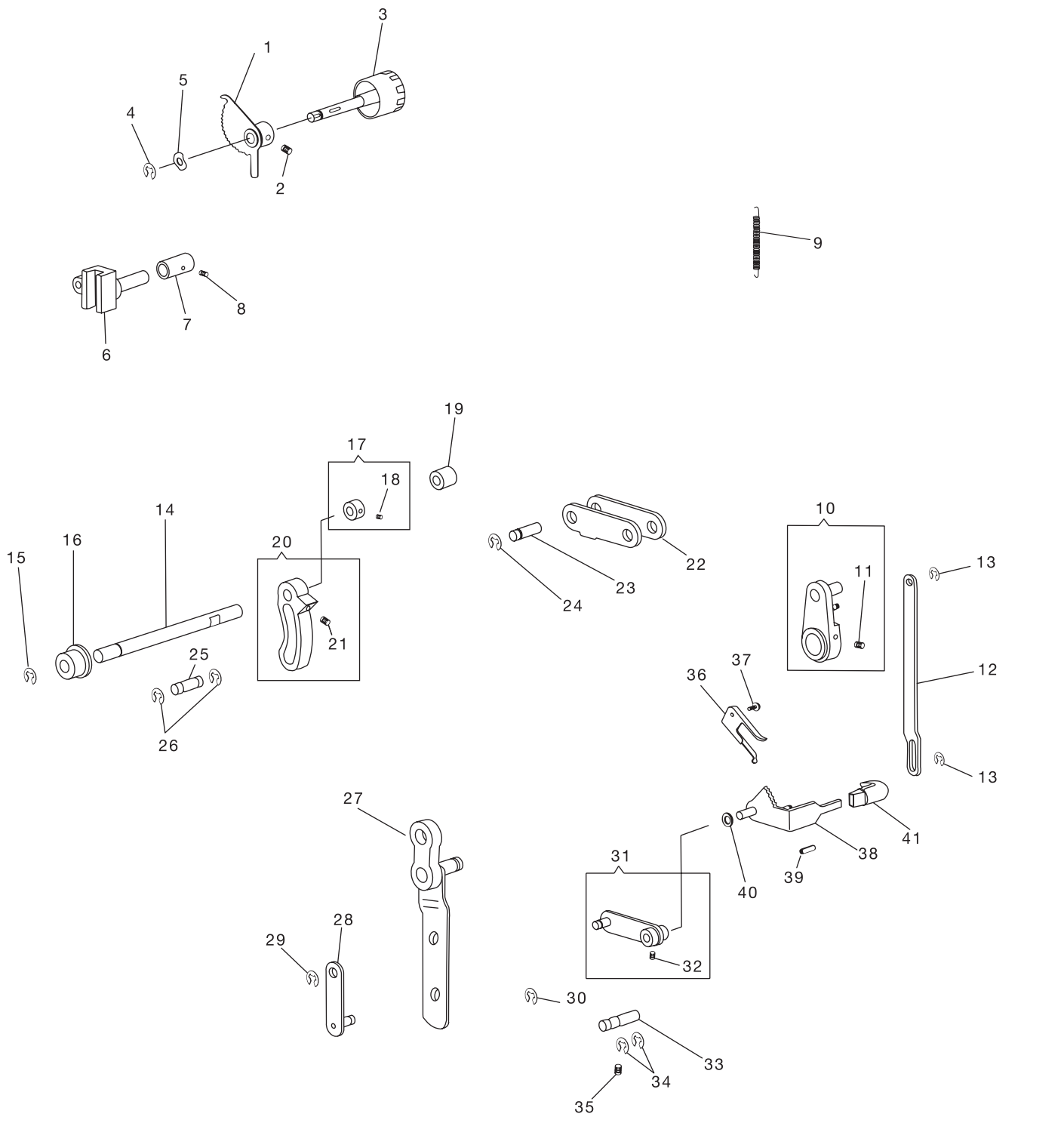
1	416325301	RIGHT LOOPER RETAINER GUIDE COLLAR COMP.
2	416323501	RIGHT LOOPER RETAINER GUIDE COLLAR SCREW
3	416321401	RIGHT LOOPER RETAINER GUIDE BRACKET
4	416321401	RIGHT LOOPER RETAINER GUIDE
5	416324401	RIGHT LOOPER RETAINER GUIDE BRACKET SCREW
6	416327101	RIGHT LOOPER
7	416322101	RIGHT LOOPER SCREW
8	416321501	RIGHT LOOPER RETAINER
9	N/A	RIGHT LOOPER RETAINER DRIVING LEVER STUD
10	416327201	RIGHT LOOPER RETAINER DRIVING LEVER COMP.
11	416323501	RIGHT LOOPER RETAINER DRIVING LEVER STUD SCREW
12	N/A	RIGHT LOOPER RETAINER DRIVING LEVER CLAMPING SCREW
13	416325401	RIGHT LOOPER THREAD GUIDE
14	416324101	RIGHT LOOPER THREAD GUIDE SCREW
15	N/A	RIGHT LOOPER SHAFT BUSHING
16	416323501	RIGHT LOOPER SHAFT BUSHING SCREW
17	416322301	RIGHT LOOPER SHAFT BUSHING THRUST WASHER
18	N/A	RIGHT LOOPER SHAFT
19	N/A	RIGHT LOOPER CAM COMP
20	416323501	RIGHT LOOPER CAM SCREW
21	416327601	RIGHT LOOPER CAM ROD COMP.
22	N/A	RIGHT LOOPER SHAFT LEVER COMP.
23	N/A	RIGHT LOOPER SHAFT LEVER CLAMPING SCREW
24	N/A	RIGHT LOOPER CAM ROD END SCREW STUD
25	416327601	LEFT LOOPER CAM ROD COMP.
26	N/A	LEFT LOOPER CAM COMP.
27	416323501	LEFT LOOPER CAM SCREW
28	N/A	LEFT LOOPER SHAFT LEVER COMP.
29	N/A	LEFT LOOPER SHAFT LEVER CLAMPING SCREW
30	N/A	LEFT LOOPER CAM ROD END SCREW STUD
31	416325601	LEFT LOOPER
32	416323901	LEFT LOOPER SCREW
33	N/A	LEFT LOOPER HOLDER
34	N/A	LEFT LOOPER HOLOER CLAMPING SCREW
35	416319501	NEEDLE GUARD (BACK) (FOR OVEREDGE NEEDLE)
36	416320501	NEEDLE GUARD (BACK)(FOR OVEREDGE NEEDLE) ADJUSTING SCREW
37	416324101	NEEDLE GUARD (BACK) (FOR OVEREDGE NEEDLE) SCREW
38	416325501	LEFT LOOPER HOLDER THREAD GUIDE
39	416324101	LEFT LOOPER HOLDER THREAD SCREW
40	N/A	LEFT LOOPER SHAFT BUSHING
41	416323501	LEFT LOOPER SHAFT BUSHING SCREW
42	416322301	RIGHT LOOPER SHAFT BUSHING THRUST WASHER
43	N/A	RIGHT LOOPER SHAFT



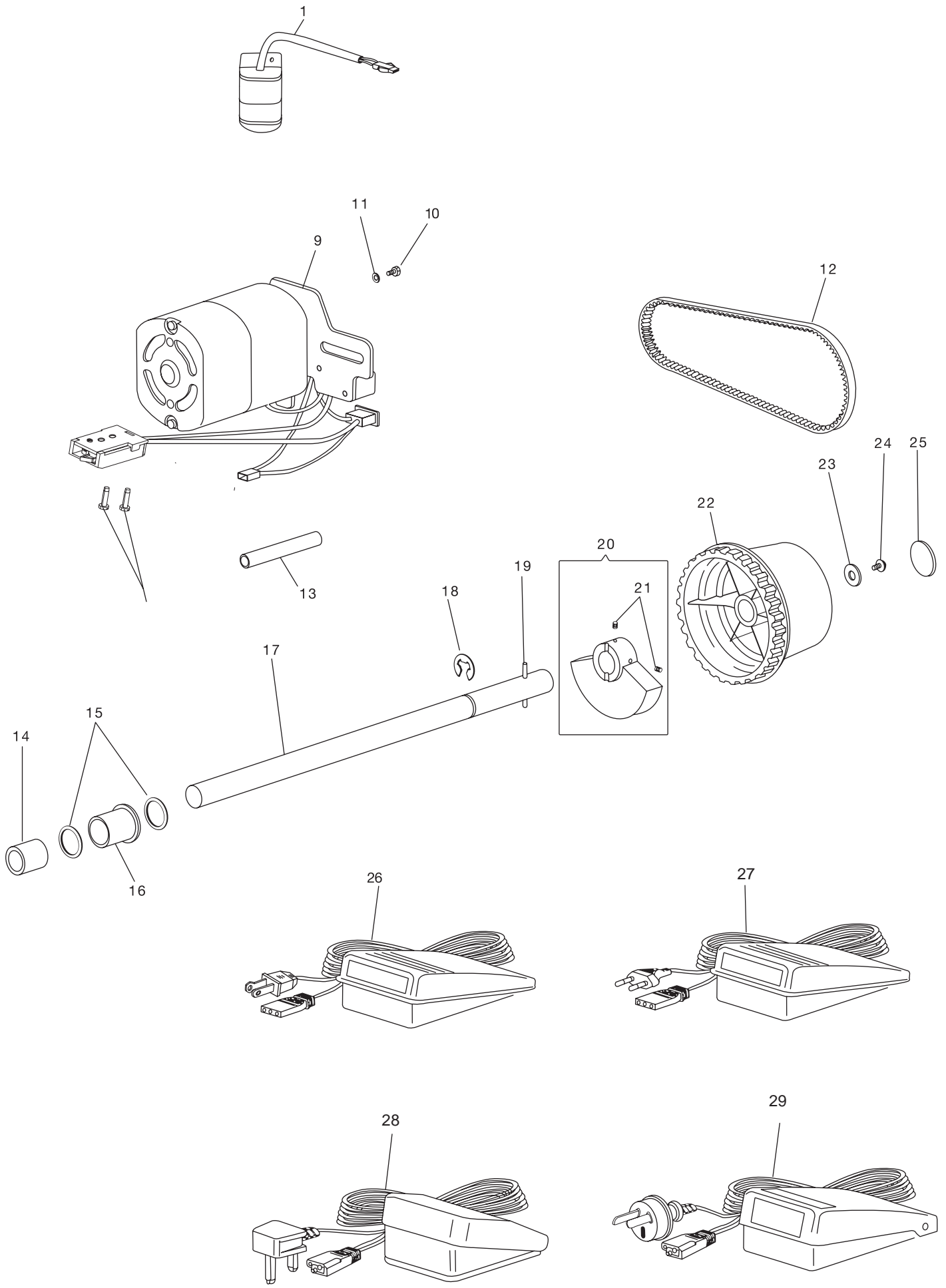
1	416325801	THROAT PLATE
2	416327001	THROAT PLATE POSITION SCREW
3	N/A	KNIFE (MOVABLE) LEVER COMP.
4	416322301	KNIFE (MOVABLE) FORKED LEVER STUD BUSHING THRUST
5	N/A	KNIFE (MOVABLE) FORKED LEVER STUD BUSHING
6	416323501	KNIFE (MOVABLE) FORKED LEVER STUD BUSHING SCREW
7	N/A	KNIFE (MOVABLE) FORKED LEVER COMP.
8	N/A	KNIFE (MOVABLE) FORKED LEVER SCREW
9	416321701	KNIFE (MOVABLE)
10	416321801	KNIFE (MOVABLE) HOLDER
11	416324701	KNIFE (MOVABLE) SCREW
12	416321101	KNIFE (MOVABLE) HOLDER SPRING
13	N/A	KNIFE (MOVABLE) HOLDER COLLAR COMP.
14	416323501	KNIFE (MOVABLE) HOLDER COLLAR SCREW
15	N/A	KNIFE (STATIONARY) HOLDER STUD SCREW
16	N/A	KNIFE (STATIONARY) HOLDER STUD SCREW WASHER
17	N/A	KNIFE (STATIONARY) HOLDER STUD SPRING
18	N/A	KNIFE (STATIONARY) HOLDER STUD
19	416326101	SEAM WIDTH FINGER SPRING
20	N/A	SEAM WIDTH FINGER SPRING WASHER
21	416323701	SCREW
22	416326001	SEAM WIDTH FINGER
23	416326201	SEAM WIDTH FINGER KNOB
24	N/A	KNIFE (STATIONARY) HOLDER
25	416325901	KNIFE (STATIONARY)
26	416323801	KNIFE (STATIONARY) SCREW
27	N/A	SEAM WIDTH FINGER SUPPORT PLATE
28	416323701	SCREW
29	N/A	SEAM WIDTH CONTROL DIAL COMP.
30	416323501	'SEAM WIDTH CONTROL DIAL SCREW
31	N/A	.SEAM WIDTH CONTROL DIAL SPRING
32	N/A	SEAM WIDTH CONTROL DIAL SPRING WASHER
33	416323701	SCREW
34	N/A	SEAM WIDTH CONTROL SCREW
35	N/A	SEAM WIDTH CONTROL SCREW BUSHING
36	N/A	SEAM WIDTH CONTROL SCREW RETAINING RING
37	N/A	SEAM WIDTH CONTROL SCREW SPRING
38	416323501	SEAM WIDTH CONTROL STUD SCREW
39	416327301	NEEDLE GUARD BRACKET
40	416325701	NEEDLE GUARD (FRONT) FOR OVEREDGE NEEDLE
41	416333101	NEEDLE GUARD (FRONT) FOR OVEREDGE NEEDLE SCREW
42	416333201	NEEDLE GUARD (FRONT) FOR OVEREDGE NEEDLE ADJUSTING
43	416324101	NEEDLE GUARD BRACKET COMP. SCREW
44	N/A	KNIFE (MOVABLE) COMP.
45	N/A	KNIFE (STATIONARY) COMP.
46	N/A	SEAM WIDTH CONTROL SCREW COMP.



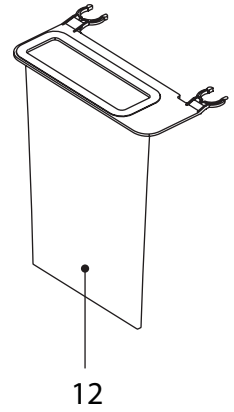
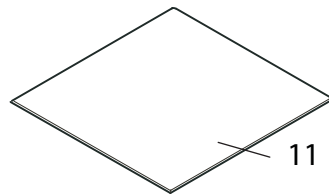
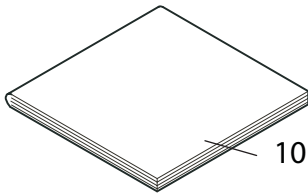
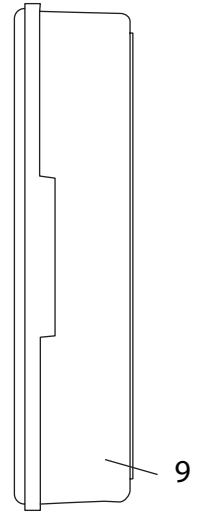
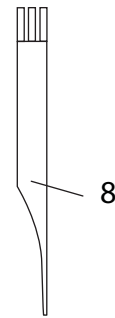
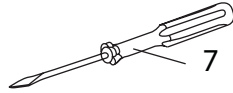
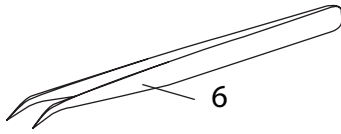
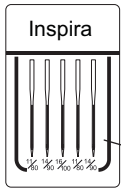
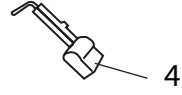
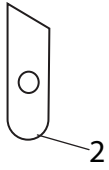
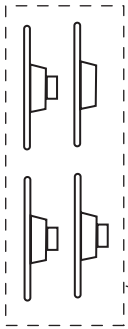
1	N/A	FEED CRANK (LEFT) COMP.
2	416323501	FEED CRANK (LEFT) SCREW
3	416323501	FEED CRANK (LEFT) STUD SCREW
4	N/A	FEED CRANK (LEFT) STUD
5	416322601	FEED CRANK (LEFT) STUD RETAINING RING
6	416322301	FEED CRANK (LEFT) STUD THRUST WASHER
7	N/A	FEED CRANK SHAFT BUSHING (LEFT)
8	N/A	FEED CRANK SHAFT BUSHING (RIGHT)
9	416322401	FEED CRANK SHAFT THRUST WASHER
10	416326301	FEED CRANK SHAFT
11	N/A	FEED CRANK SHAFT BUSHING RETAINING RING
12	N/A	FEED CRANK SHAFT THRUST WASHER
13	N/A	FEED CRANK (RIGHT) COMP.
14	416323501	FEED CRANK (RIGHT) SCREW
15	416323501	FEED CRANK (RIGHT) STUD SCREW
16	N/A	FEED CRANK (RIGHT) (FOR DIFF.FEED) COMP.
17	416323501	FEED CRANK (RIGHT) (FOR DIFF.FEED) SCREW.
18	416323501	FEED CRANK (RIGHT) STUD SCREW
19	416323501	DIFFERENTIAL FEED CRANK STUD SCREW
20	N/A	FEED REGULATOR CRANK ROD COMP.
21	416322601	FEED CRANK ROD STUD RETAINING RING
22	N/A	FEED CRANK RODSTUD
23	416322401	FEED CRANK ROD STUD THRUST WASHER
24	416322601	FEED CRANK (RIGHT) STUD RETAINING RING
25	N/A	FEED CRANK (RIGHT) STUD
26	416322301	FEED CRANK (RIGHT) STUD THRUST WASHER
27	N/A	FEED CAM COMP.
28	416323501	FEED CAM SCREW
29	N/A	FEED CRANK ROD
30	416323501	FEED CRANK ROD PIN SCREW
31	N/A	FEED BAR
32	N/A	FEED DOG
33	N/A	FEED DOG SCREW
34	N/A	FEED LIFTING CAM COMP.
35	416323501	FEED LIFTING CAM SCREW
36	N/A	FEED LIFTING CAM SLIDE BLOCK
37	N/A	FEED LIFTING CAM SLIDE BLOCK RETAINING RING
38	N/A	MAIN FEED BAR
39	416326501	MAIN FEED DOG
40	416323701	SCREW
41	416326401	MAIN FEED BAR SPRING SCREW STUD
42	N/A	AUXILIARY FEED SUPPORT BRACKET
43	416323701	SCREW
44	N/A	AUXILIARY FEED BAR
45	416326701	AUXILIARY FEED BAR GUIDE PIN SCREW
46	N/A	AUXILIARY FEED BAR LINK RETAINING RING
47	N/A	AUXILIARY FEED BAR LINK
48	N/A	DIFFERENTIAL FEED ARM COMP.
49	416326801	MAIN FEED BAR SPRING
50	416326601	AUXILIARY FEED DOG
51	416324201	AUXILIARY FEED DOG SCREW
52	416322801	AUXILIARY FEED DOG SCREW WASHER
53	N/A	AUXILIARY FEED DOG HOLDER
54	416323701	SCREW



1	N/A	FEED REGULATOR DRIVING CAM (BODY) COMP.
2	416323501	FEED REGULATOR DRIVING CAM SCREW
3	416328201	FEED DIAL (GRAPHIC)
4	416322601	FEED DIAL (GRAPHIC) REGAINING RING
5	416321001	FEED DIAL WAVE WASHER
6	N/A	FEED REGULATOR
7	N/A	FEED REGULATOR STUD BUSHING
8	416323501	FEED REGULATOR STUD BUSHING SET SCREW
9	416319601	FEED REGULATOR LEVER SPRING
10	N/A	FEED REGULATOR LEVER COMP.
11	416323501	FEED REGULATOR LEVER SCREW
12	N/A	DIFFERENTIAL FEED SAFETY PLATE
13	416322501	DIFFERENTIAL FEED SAFETY PLATE RETAINING PLATE
14	N/A	DIFFERENTIAL FEED SHAFT
15	416322601	DIFFERENTIAL FEED SHAFT RETAINING RING
16	N/A	DIFFERENTIAL FEED SHAFT BUSHING (LEFT)
17	N/A	DIFFERENTIAL FEED SHAFT COLLAR COMP.
18	544207-001	DIFFERENTIAL FEED SHAFT COLLAR SCREW
19	N/A	DIFFERENTIAL FEED SHAFT BUSHING
20	N/A	DIFFERENTIAL FEED ADJUSTING ARM COMP.
21	416323501	DIFFERENTIAL FEED ADJUSTING ARM SCREW
22	N/A	DIFFERENTIAL FEED CRANK ROD
23	N/A	DIFFERENTIAL FEED CRANK STUD
24	416322601	DIFFERENTIAL FEED CRANK STUD RETAINING RING
25	N/A	DIFFERENTIAL FEED CRANK ROD STUD
26	416322601	DIFFERENTIAL FEED CRANK ROD STUD RETAINING RING
27	N/A	DIFFERENTIAL FEED ADJUSTING LEVER (LOWER)
28	N/A	DIFFERENTIAL FEED LEVER LINK COMP.
29	N/A	DIFFERENTIAL FEED LEVER RETAINING RING
30	416322601	DIFFERENTIAL FEED ADJUSTING LEVER (LOWER) RETAINING RING
31	N/A	DIFFERENTIAL FEED LEVER COMP.
32	N/A	DIFFERENTIAL FEED ADJUSTING LEVER SCREW
33	N/A	DIFFERENTIAL FEED ADJUSTING LEVER STUD
34	416322601	DIFFERENTIAL FEED ADJUSTING LEVER STUD RETAINING RING
35	416323501	DIFFERENTIAL FEED ADJUSTING LEVER STUD SCREW
36	N/A	DIFFERENTIAL FEED ADJUSTING LEVER SPRING
37	416324601	DIFFERENTIAL FEED ADJUSTING LEVER SPRING SCREW
38	N/A	DIFFERENTIAL FEED ADJUSTING LEVER COMP.
39	416323101	DIFFERENTIAL FEED ADJUSTING LEVER PIN
40	N/A	DIFFERENTIAL FEED ADJUSTING LEVER WASHER
41	416329401	DIFFERENTIAL FEED ADJUSTING LEVER KNOB



1	416319401	LED LIGHT COMP.(FOR 220-240V)
	416319301	LED LIGHT COMP.(FOR 120V)
2	N/A	
3	N/A	
4	N/A	
6	N/A	CORD RETAINER
7	N/A	CORD CLAMPING PLATE
8	416324101	CORD CLAMPING PLATE SCREW
9	416330601	MOTOR, SWITCH COMP. (220V)
	416330501	MOTOR, SWITCH COMP. (FOR 120V)
10	416324801	MOTOR, BRACKET SCREW
11	416323001	MOTOR, BRACKET SCREW WASHER
12	416327701	TIMING BELT
13	N/A	TUBE(FOR220-240V)
14	N/A	ROTATING SHAFT BUSHING (LEFT)
15	N/A	ROTATING SHAFT THRUST WASHER
16	N/A	ROTATING SHAFT BUSHING (RIGHT)
17	N/A	ROTATING SHAFT
18	N/A	ROTATING SHAFT RETAINING RING
19	N/A	ROTATING SHAFT SPRING PIN
20	N/A	ROTATING SHAFT BALANCE WEIGHT COMP.
21	416323501	ROTATING SHAFT BALANCE WEIGHT COMP.SCREW
22	416327901	TIMING BELT PULLEY
23	416323201	TIMING BELT PULLEY SET SCREW WASHER
24	416324601	TIMING BELT PULLEY SET SCREW
25	416332901	TIMING BELT PULLEY COVER
26	416319901	CONTROLLER COMP. (TRIAC 100-120V)(PLUG A-TYPE) US-Can
27	416320101	CONTROLLER COMP. (CARBON 220-250V)(PLUG C-TYPE) Europe Stand.
28	416320001	CONTROLLER COMP. (CARBON 230V)(PLUG BF-TYPE) UK
29	416320201	CONTROLLER COMP. (for 220-250V) (Plug S-Type) Aus



-
- 1-9 416330301 ACCESSORY SET
 - 1 416324901 SPOL HOLDER
 - 2 416325901 KNIFE (STATIONARY)
 - 3 1250009-192 THREAD NET
 - 4 416326901 SPREADER
 - 5 6200795-96 OVERLOCKNEEDLE ELx705 80, 5-PACK
 - 6 2141009-191 TWEEZERS
 - 7 412 38 15-01 SCREW DRIVER (SMALL)
 - 8 401 55 55-01 CLEANING BRUSH
 - 9 N/A AS SEPARATE PART

- 10 413 17 35-01 Users Hand book Swe
- 413 17 35-06 Users Hand book Dan
- 413 17 35-11 Users Hand book Fin
- 413 17 35-21 Users Hand book Nor
- 413 17 35-26 Users Hand book Eng
- 413 17 35-31 Users Hand book Fra
- 413 17 35-36 Users Hand book Dutch
- 413 17 35-41 Users Hand book Ita
- 413 17 35-51 Users Hand book Ger

- 11 416329601 SOFT COVER
- 12 416330101 WASTE BAG COMP.

Extra Feets

- 6200814-96 GATHERING FOOT
- 6200815-96 ELASTIC FOOT
- 6200816-96 PIPING FOOT
- 6200817-96 BLIND HEM FOOT
- 6200818-96 BEADING FOOT
- 6200819-96 LACE FOOT
- 6200820-96 YARN APPLICATION FOOT