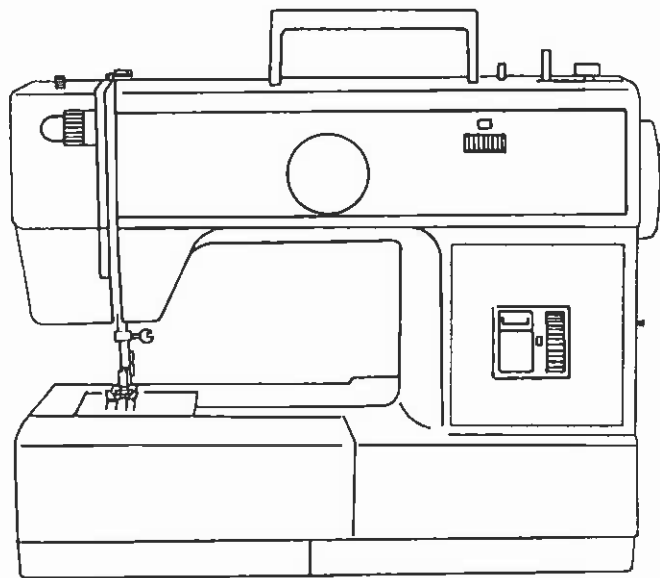
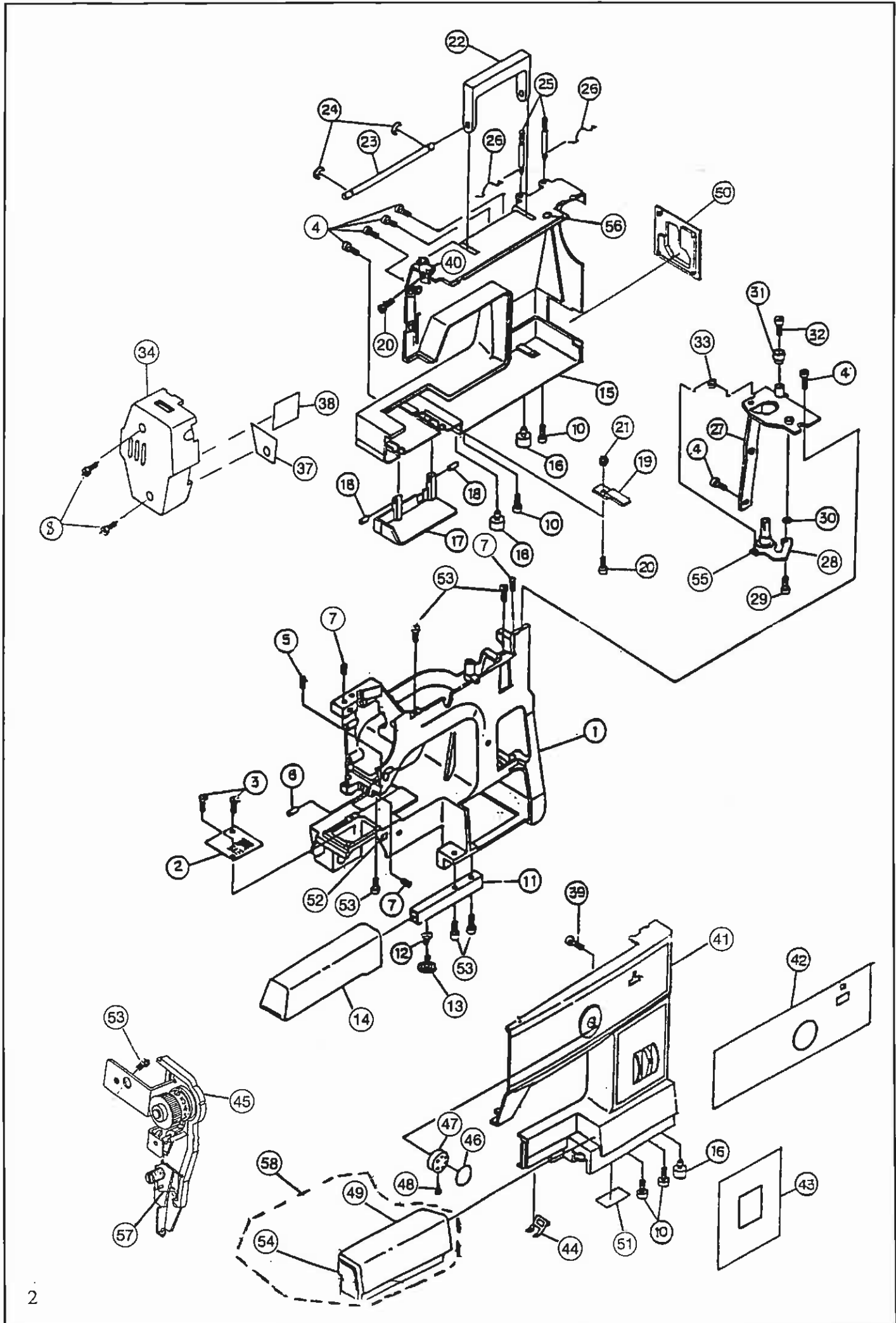


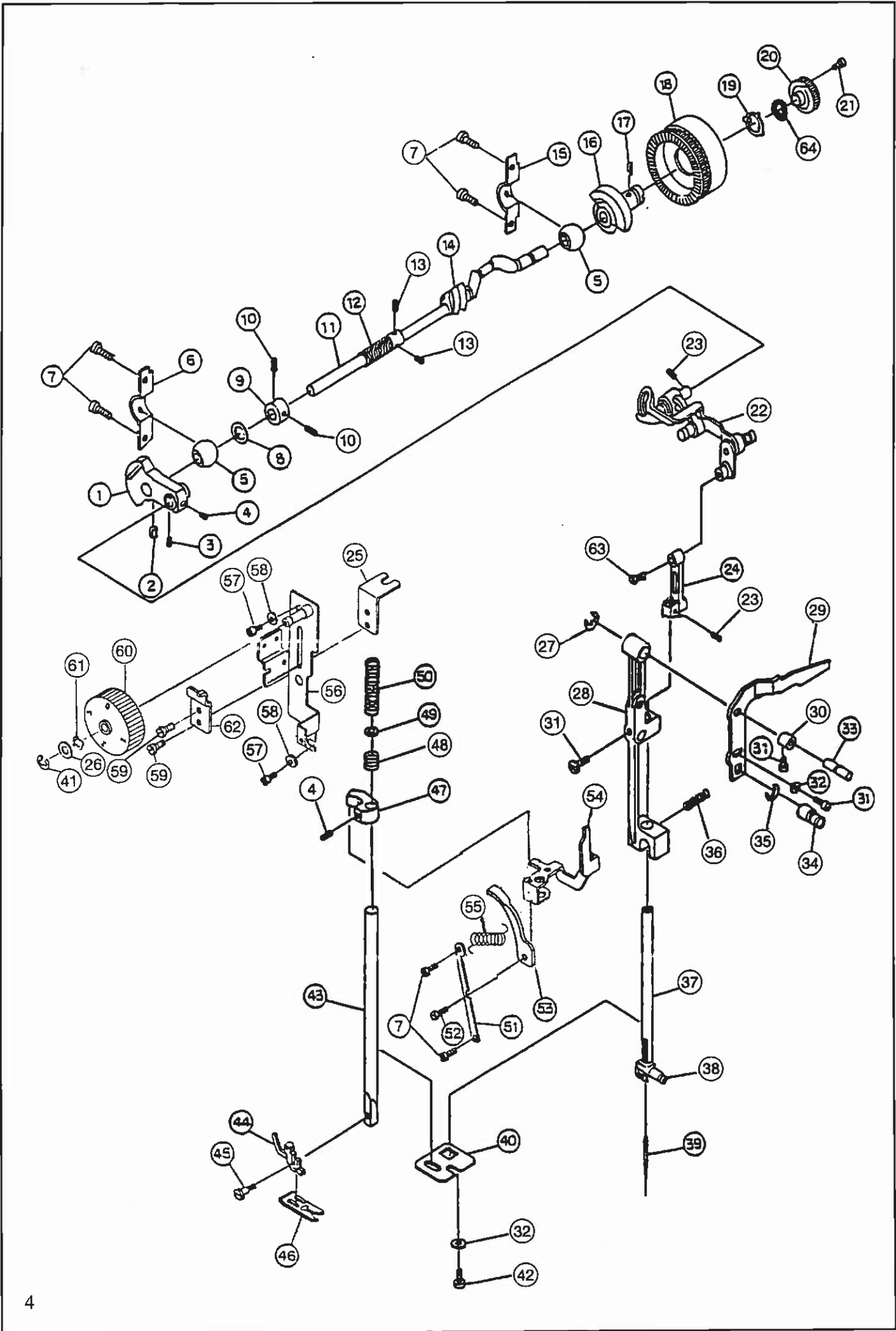
Spare parts
Ersatzteile
Pièces détachées
Reservdelar



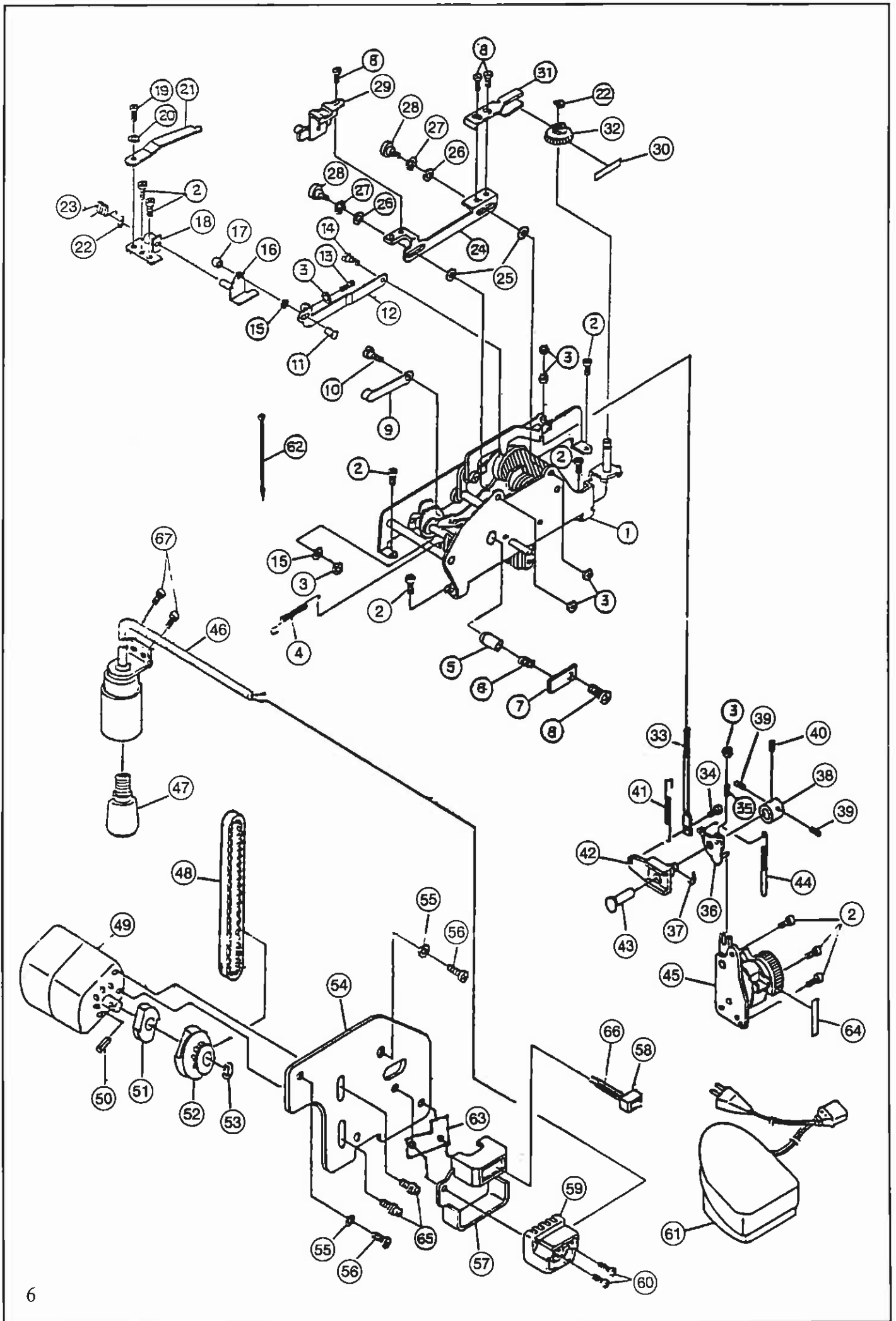
55
65



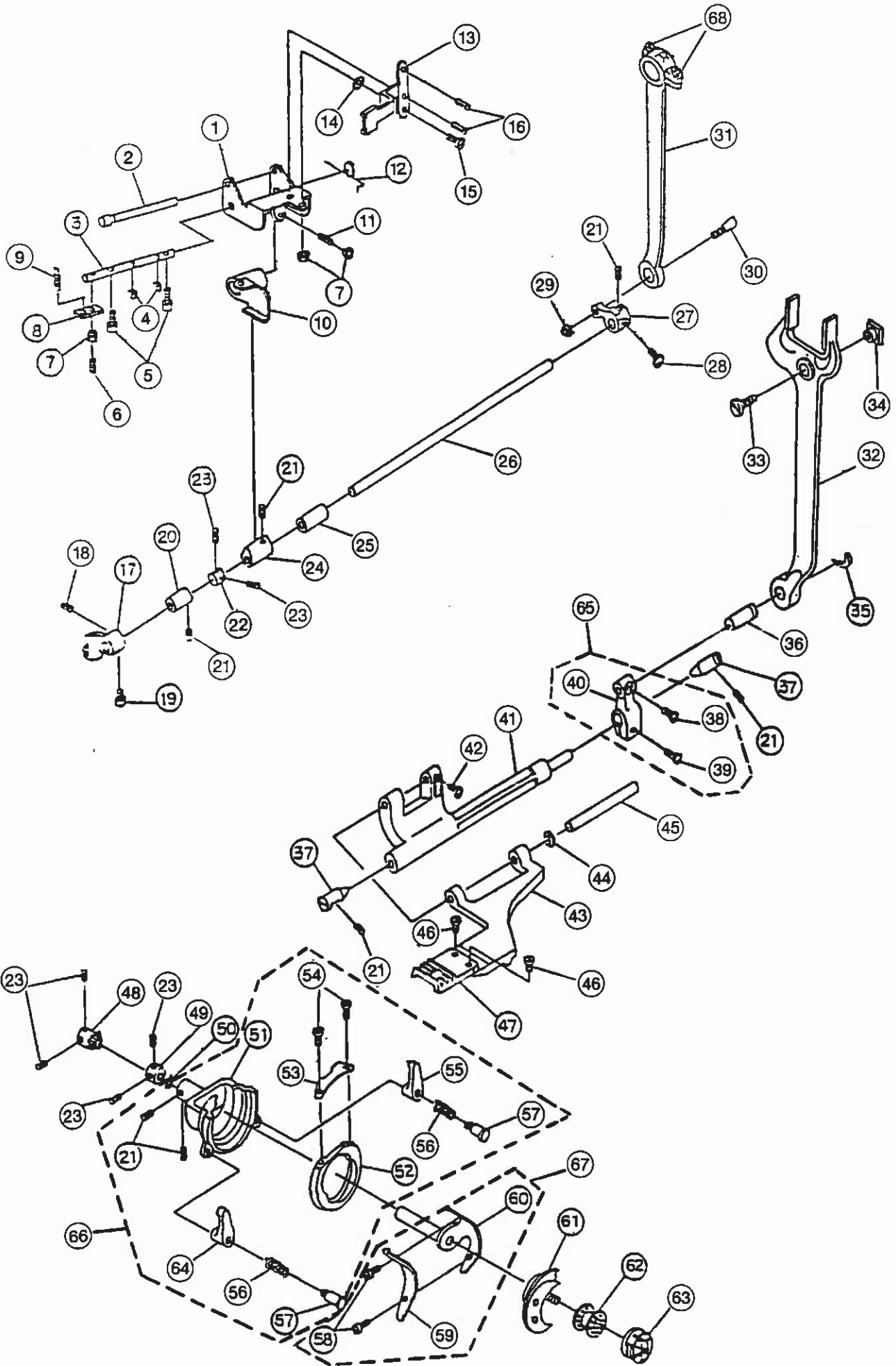
<u>POS</u>	<u>NUMBER</u>	<u>DENOMINATION</u>	<u>POS</u>	<u>NUMBER</u>	<u>DENOMINATION</u>
1	415 60 00-01	Arm/bed	50b	415 60 53-01	Socket plate (120V), beige
2	415 60 01-01	Needle plate		415 68 28-01	Socket plate (120V), white
3	415 60 02-01	Set screw	51	415 60 54-01	Machine number plate
4	415 60 03-01	Set screw	52	415 62 56-01	Sticker
5	415 60 04-01	Set screw	53	415 64 45-01	Set screw
6	415 60 05-01	Lead shaft	54	415 64 22-01	Extension table body, beige
7	415 60 06-01	Set screw		415 68 30-01	Extension table body, white
8	415 64 95-01	Set screw	55	415 62 59-01	Bobbin winder rubber ring
10	415 60 09-01	Set screw	56	415 65 09-01	Adjusting hole plug, beige
11	415 60 10-01	Support leg		415 68 29-01	Adjusting hole plug, white
12	415 60 11-01	Spring	57	415 65 05-01	Thread take up spring
13	415 60 12-01	Adjusting screw	58	415 60 51-01	Extention table Compl., beige
14	415 60 13-01	Cover, support leg, beige		415 68 32-01	Extention table Compl., white
	415 68 18-01	Cover, support leg, white			
15	415 64 61-01	Back cover, beige			
	415 68 19-01	Back cover, white			
16	415 60 15-01	Foot			
17	415 60 16-01	Shuttle race cover, beige			
	415 68 20-01	Shuttle race cover, white			
18	415 60 17-01	Spring pin			
19	415 60 18-01	Spring plate			
20	415 60 19-01	Set screw			
21	415 60 20-01	Nut			
22	415 60 21-01	Handle compl., beige			
	415 68 21-01	Handle compl., white			
23	415 60 22-01	Handle pin			
24	415 60 23-01	Wave washer			
25	415 60 24-01	Spool pin A			
26	415 60 25-01	Spool pin spring			
27	415 60 26-01	B/W supporting plate			
28	415 60 27-01	Bobbin winder compl.			
29	415 60 28-01	Set screw			
30	415 60 29-01	Washer			
31	415 60 30-01	Bobbin winder stopper			
32	415 60 31-01	Set screw			
33	415 60 32-01	Bobbin winder spring C			
34	415 64 59-01	Face plate, beige			
	415 68 22-01	Face plate, white			
37	415 64 64-01	Aluminium plate			
38	415 64 44-01	Aluminium plate			
39	415 60 38-01	Set screw			
40	415 64 52-01	Thread guide compl.			
41	415 64 60-01	Front cover, beige			
	415 68 23-01	Front cover, white			
42a	415 64 62-01	Arm panel (65), green			
	415 68 25-01	Arm panel (65), light blue			
42b	415 64 63-01	Arm panel (55), green			
	415 68 24-01	Arm panel (55), light blue			
43	415 64 65-01	Indicating panel, green			
	415 68 26-01	Indicating panel, light blue			
44	415 60 45-01	Panel base setter			
45	415 64 67-01	Tension compl.			
46a	415 64 56-01	Indicating plate (65), green			
	415 68 34-01	Indicating plate (65), light blue			
46b	415 64 40-01	Indicating plate (55), green			
	415 68 35-01	Indicating plate (55), light blue			
47	415 60 49-01	Pattern selector dial, beige			
	415 68 33-01	Pattern selector dial, white			
48	415 60 50-01	Set screw			
49	415 64 23-01	Extension table cover, beige			
	415 68 31-01	Extension table cover, white			
50a	415 60 52-01	Socket plate (220V), beige			
	415 68 27-01	Socket plate (220V), white			



<u>POS NUMBER</u>	<u>DENOMINATION</u>	<u>POS NUMBER</u>	<u>DENOMINATION</u>		
1	415 60 55-01	Thread take-up crank	60	415 64 48-01	Dial, presser bar pressure
2	415 60 56-01	Spring pin	61	415 64 97-01	Washer
3	415 60 57-01	Set screw	62	415 64 49-01	Transmitting plate
4	415 60 58-01	Set screw	63	415 64 71-01	Set screw
5	415 60 59-01	Front bushing	64	415 65 13-01	Washer
6	415 60 60-01	Front bushing bracket			
7	415 60 03-01	Set screw			
8	415 60 62-01	Nylon washer			
9	415 60 63-01	Stop ring			
10	415 60 04-01	Set screw			
11	415 60 65-01	Upper shaft			
12	415 60 66-01	Upper shaft worm gear			
13	415 60 67-01	Set screw			
14	415 60 68-01	Feed cam			
15	415 60 69-01	Rear bushing bracket			
16	415 60 70-01	Balanced wheel			
17	415 60 17-01	Spring pin			
18	415 68 76-01	Hand wheel			
19	415 60 73-01	Stop motion washer			
20	415 68 37-01	Stop motion large screw			
21	415 60 75-01	Set screw			
22	415 64 53-01	Take-up lever compl			
23	415 60 06-01	Set screw			
24	415 60 78-01	Needle bar holder cpl.			
25	415 64 50-01	Pressure regulator plate			
26	415 64 96-01	Washer			
27	415 60 81-01	C-washer			
28	415 64 46-01	Needle bar support			
29	415 60 83-01	Zigzag driving plate			
30	415 60 84-01	Stop ring			
31	415 60 19-01	Set screw			
32	415 60 86-01	Washer			
33	415 60 87-01	Needle bar support pin			
34	415 60 88-01	Eccentric pin			
35	415 60 89-01	C-washer			
36	415 60 90-01	Spring			
37	415 60 91-01	Needle bar			
38	415 60 92-01	Needle clamp compl.			
39	411 31 04-01	Needles 5x80			
40	415 60 94-01	Needle bar stopper plate			
41	415 60 81-01	Washer			
42	415 60 96-01	Set screw			
43	415 60 97-01	Presser bar			
44	415 60 98-01	Presser foot holder			
45	415 60 99-01	Set screw			
46	415 61 00-01	Z/Z presser foot			
47	415 61 01-01	Guide bracket			
48	415 61 02-01	Spring			
49	415 61 03-01	Spring washer			
50	415 64 73-01	Pressure bar spring			
51	415 61 05-01	Pressure bar lifter bracket			
52	415 61 06-01	Set screw			
53	415 65 10-01	Pressure bar lifter			
54	415 65 11-01	Tension release lever			
55	415 65 12-01	Spring			
56	415 64 47-01	Pressure support			
57	415 61 11-01	Set screw			
58	415 61 12-01	Washer			
59	415 64 51-01	Set screw			

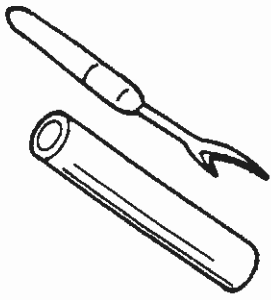


<u>POS</u>	<u>NUMBER</u>	<u>DENOMINATION</u>	<u>POS</u>	<u>NUMBER</u>	<u>DENOMINATION</u>
1a	415 61 17-01	Zigzag mechanism compl.model (65)	55	415 61 76-01	Spring washer
1b	415 61 18-01	Zigzag mechanism compl.model (55)	56	415 61 77-01	Set screw
2	415 60 03-01	Set screw	57a	415 61 78-01	Connector (220V)
3	415 60 20-01	Nut	57b	415 61 79-01	Connector (120V)
4	415 61 21-01	Spring (55)	58	415 64 58-01	Power supply switch
5	415 61 22-01	Angle index pin (65)	59a	415 61 82-01	Socket (220V)
6	415 64 69-01	Angle index spring (65)	59b	415 61 83-01	Socket (120V)
7	415 61 24-01	Limited plate (65)	60	415 61 84-01	Set screw
8	415 61 25-01	Set screw (65)	61a	415 61 85-01	Foot control compl. 220 V
9	415 61 26-01	Zero adjusting crank compl. (55)	61b	415 61 86-01	Foot control compl. 120 V
10	415 61 27-01	Set screw (55)	61c	415 62 57-01	Foot control compl. 240 V
11	415 61 28-01	Riveting pin	62	415 61 87-01	Band
12	415 61 29-01	Zigzag connecting	63	415 64 41-01	Insulated plate
13	415 61 30-01	Adjusting screw	64	415 61 89-01	Indicating plate
14	415 61 31-01	Set screw	65a	415 61 90-01	Set screw (220V)
15	415 60 86-01	Washer	65b	415 61 91-01	Set screw (120V)
16	415 61 33-01	Zigzag connect. crank A	66	415 64 16-01	Switch wire
17	415 61 34-01	Rollar	67	415 61 13-01	Set screw
18	415 61 35-01	Zigzag mechanism body			
19	415 60 09-01	Set screw (55)			
20	415 61 37-01	Washer (55)			
21	415 61 38-01	Angle index spring plate (55)			
22	415 60 89-01	C-washer			
23	415 61 40-01	Spring			
24	415 61 41-01	Zigzag adjusting rod 1 model (65)			
25	415 61 42-01	Washer (65)			
26	415 64 55-01	Washer (65)			
27	415 61 44-01	Wave washer (65)			
28	415 61 45-01	Set screw			
29	415 61 46-01	Zero adjusting crank compl. (65)			
30	415 61 47-01	Zigzag width dial panel model (65)			
31	415 61 48-01	Zigzag adjusting rod 2 model (65)			
32	415 61 49-01	Zigzag width dial (65)			
33	415 61 50-01	Straight stitch rod			
34	415 61 51-01	Set screw			
35	415 61 52-01	Adjusting screw			
36	415 64 42-01	Feed regulator bracket			
37	415 61 54-01	C-washer			
38	415 61 55-01	Stop ring			
39	415 60 06-01	Set screw			
40	415 60 04-01	Set screw			
41	415 61 58-01	Feed regulator spring			
42	415 64 43-01	Feed regulator			
43	415 61 60-01	Feed regulator shaft			
44	415 61 61-01	Spring			
45	415 64 68-01	Stitch length dial compl.			
46a	415 61 63-01	Light cord compl. 220 V			
46b	415 61 64-01	Light cord compl. 120 V			
47a	415 61 65-01	Light bulb 220 V			
47b	415 61 66-01	Light bulb 120 V			
48	415 61 67-01	Belt			
49a	415 61 68-01	Motor compl. (220V)			
49b	415 61 69-01	Motor compl. (120V)			
49c	415 60 41-01	Motor compl. (240V)			
50	415 61 70-01	Spring pin			
51	415 61 71-01	Motor clutch			
52	415 61 72-01	Motor pulley compl.			
53	415 60 23-01	C-washer			
54a	415 61 74-01	Motor bracket (220V)			
54b	415 61 75-01	Motor bracket (120V)			

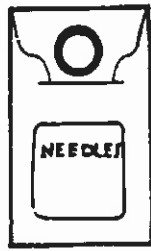


<u>POS</u>	<u>NUMBER</u>	<u>DENOMINATION</u>	<u>POS</u>	<u>NUMBER</u>	<u>DENOMINATION</u>
1	415 61 92-01	Body, feed drop compl.	62	415 62 53-01	Bobbin
2	415 61 93-01	Adjust. shaft, feed drop	63	415 62 54-01	Bobbin case, compl.
3	415 64 57-01	Shaft, feed drop	64	415 62 55-01	Clasp (left)
4	415 60 81-01	C-washer	65	415 63 26-01	Crank, shaft feed rock
5	415 61 96-01	Set screw	66	415 63 09-01	Hook race body compl.
6	415 61 30-01	Adjusting screw	67	415 63 10-01	Hook driver shaft compl.
7	415 60 20-01	Nut	68	415 64 09-01	Set screw
8	415 61 99-01	Spring holder			
9	415 62 00-01	Spring			
10	415 62 01-01	Plate, feed drop			
11	415 62 02-01	Adjusting screw			
12	415 62 03-01	Spring			
13	415 62 04-01	Lever, feed drop			
14	415 61 44-01	Wave washer			
15	415 61 27-01	Set screw			
16	415 62 07-01	Spring pin			
17	415 62 08-01	Oscillating shaft gear			
18	415 62 10-01	Set screw			
19	415 62 09-01	Set screw			
20	415 62 16-01	Rear bushing lower shaft			
21	415 60 04-01	Set screw			
22	415 62 13-01	Stop ring			
23	415 60 06-01	Set screw			
24	415 62 15-01	Feed lifting cam			
25	415 62 11-01	Lower shaft front bushing			
26	415 62 17-01	Lower shaft			
27	415 62 18-01	Crank lower shaft			
28	415 62 19-01	Set screw			
29	415 62 20-01	Nut			
30	415 62 21-01	Cone screw			
31	415 64 10-01	Crank rod			
32	415 62 23-01	Fork rod			
33	415 62 24-01	Set screw			
34	415 62 25-01	Slide block fork rod			
35	415 62 26-01	C-washer			
36	415 62 27-01	Connecting ring			
37	415 62 28-01	Center pin			
38	415 63 27-01	Set screw			
39	415 62 29-01	Set screw			
40	415 62 31-01	Crank shaft, feed rock			
41	415 62 32-01	Shaft, feed rock			
42	415 63 25-01	Set screw			
43	415 62 34-01	Feed dog base			
44	415 60 89-01	C-washer			
45	415 62 36-01	Shaft feed dog base			
46	415 62 37-01	Set screw feed dog			
47	415 62 38-01	Feed dog			
48	415 64 72-01	Hook gear			
49	415 62 40-01	Stop ring, hook driver shaft			
50	415 62 41-01	Nylon washer			
51	415 64 76-01	Hook race body			
52	415 62 43-01	Hook race ring			
53	415 63 08-01	Spring			
54	415 62 45-01	Set screw			
55	415 62 46-01	Clasp (right)			
56	415 62 47-01	Clasp spring			
57	415 62 48-01	Set screw			
58	415 62 49-01	Set screw			
59	415 62 50-01	Hook driver spring			
60	415 62 51-01	Hook driver shaft			
61	415 62 52-01	Hook			

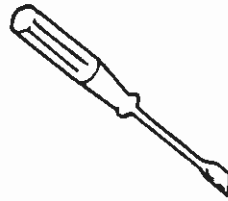
Accessories



401 53 99-01
Buttonhole knife



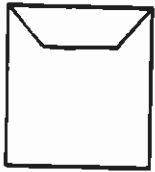
411 31 04-01
Needles 5x80



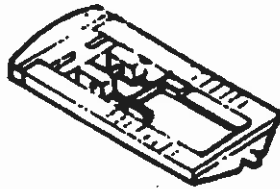
412 28 90-01
Screw driver (small)



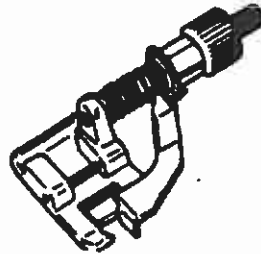
415 62 53-01
Bobbin



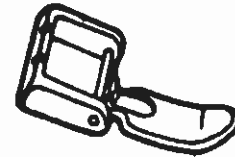
415 62 60-01
Plastic bag
with accessories



415 62 66-01
Buttonhole foot



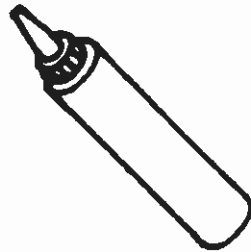
415 62 67-01
Blind stitch foot



415 64 15-01
Zipper foot



415 64 31-01
Darning plate



415 64 34-01
Oil

401 55 55-01 Brush
412 38 15-01 Screw driver (large)
415 62 68-01 Hemmer foot
415 64 12-01 Quilting guide
415 64 13-01 Edge guide
415 64 17-01 Dust cover
415 64 21-01 Darning foot

Operating manuals

412 37 43-05	Operating manual Swedish/Finnish
412 37 43-15	Operating manual Danish/Norwegian
412 37 43-25	Operating manual Dutch/French
412 37 43-26	Operating manual English
412 37 43-35	Operating manual German/Italian
412 37 43-46	Operating manual Spanish
412 37 43-56	Operating manual Russian
412 37 43-60	Operating manual Portuguese
412 37 43-90	Operating manual Czech