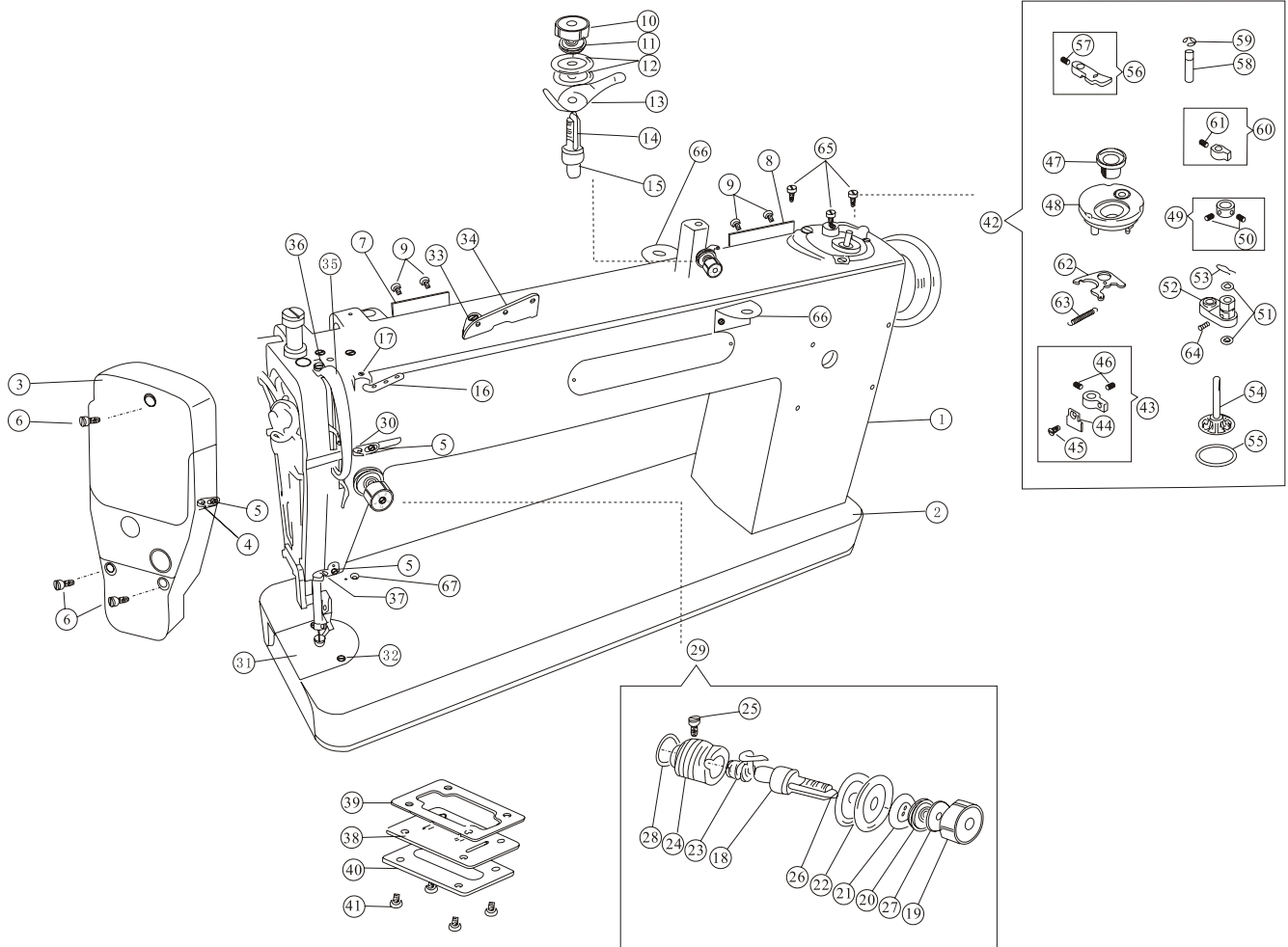
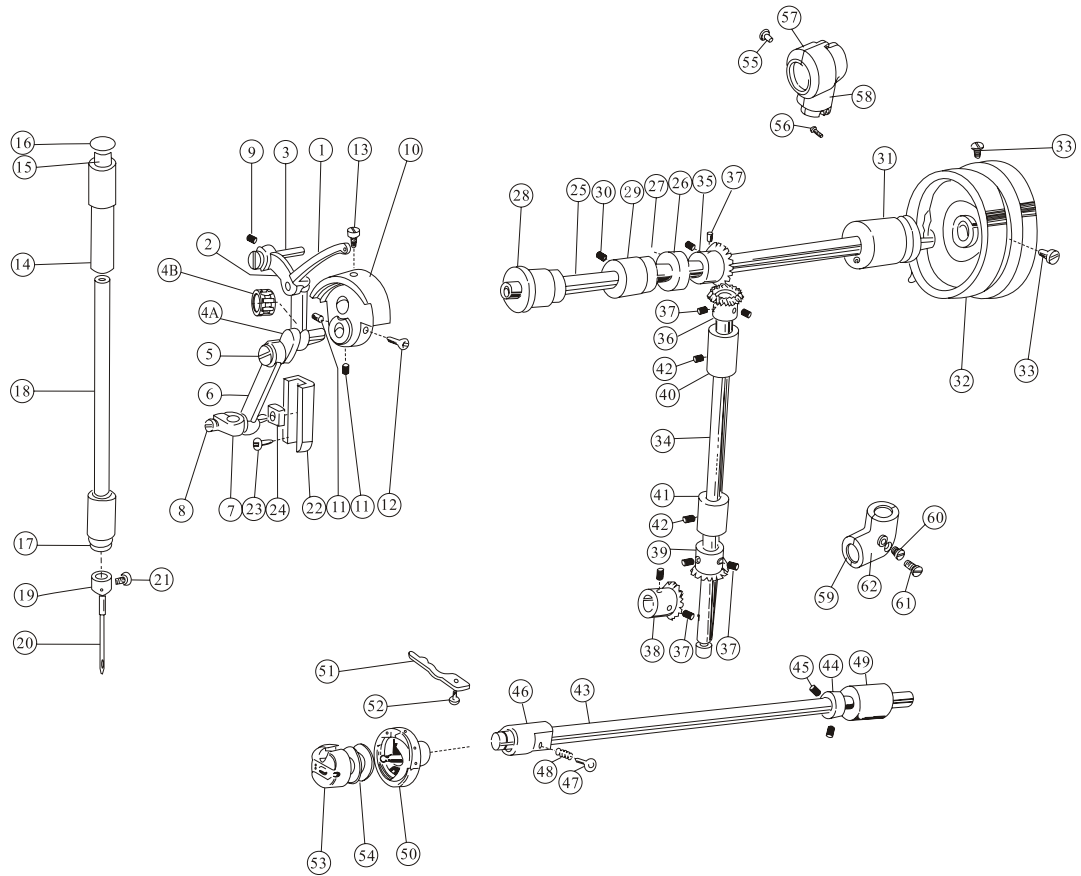


Parts list

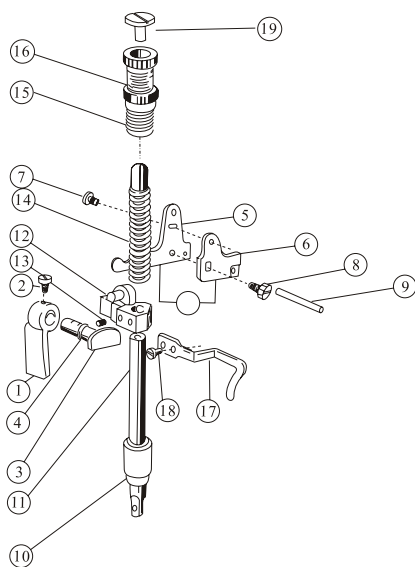
MegaQuilter I 8x8



Ref Nr			63	416341301	Bobbin winder spring
1	N/A	Arm	64	416341401	Bobbin winder shaft bushing spring
2	416335301	Bed plate	65	416341501	Bobbin winder screw
3	416335401	Face plate	66	416353501	Lighting stand
4	416335501	Thread caln	67	416354701	Oil resevoir dip stick
5	416335601	Screw			
6	416335701	Screw			
7	416335801	Side plate (Left)			
8	416335901	Side plate (Right)			
9	416336001	Screw			
10	416336101	Screw			
11	416336201	spring			
12	416336301	Tension disc			
13	416336401	Screw			
14	416336501	Tension disc			
15	416336601	Washer			
16	416336701	Three-eye finger			
17	416336801	Set screw			
18	416336901	Screw			
19	416337001	Nut			
20	416337101	Spring			
21	416337201	Thread releasing plate			
22	416337301	Thread tension disc			
23	416337401	Thread take-up spring			
24	416337501	Thread tension adjusting bracket			
25	416337601	Screw			
26	416337701	Thread releasing pin			
27	416337801	Stopping plate			
28	416337901	O-type ring			
29	416354601	Thread Tension Cpl.			
30	416338001	Thread finger			
31	416338101	Sliding plate complete			
32	416338201	Screw			
33	416338301	Thread guide screw			
34	416338401	Thread guide			
35	416338501	Thread take-up lever cover			
36	416338601	Screw			
37	416338701	Thread guide			
38	416338801	Oil window			
39	416338901	Sealing washer			
40	416339001	Gland			
41	416339101	Screw			
42	416339201	Bobbin Winder (CPL.)			
43	416339301	Bobbin winder stopper (CPL.)			
44	416339401	Bobbin winder stopper board			
45	416339501	Bobbin winder stopper board screw			
46	416339601	Bobbin winder stopper screw			
47	416339701	Bobbin winder spindle thread guard			
48	416339801	Bobbin winder (Body)			
49	416339901	Bobbin winder shaft collar (CPL.)			
50	416340001	Bobbin winder shaft collar screw			
51	416340101	Bobbin winder shaft friction wheel washer			
52	416340201	Bobbin winder shaft bushing			
53	416340301	Bobbin winder shaft friction wheel spring			
54	416340401	Bobbin winder shaft friction wheel (Body)			
55	416340501	Bobbin winder shaft friction ring			
56	416340601	Bobbin winder lever (CPL.)			
57	416340701	Bobbin winder lever screw			
58	416340801	Bobbin winder lever stud			
59	416340901	Bobbin winder regulator stud link lock washer			
60	416341001	Bobbin winder regulator (CPL.)			
61	416341101	Bobbin winder regulator screw			
62	416341201	Bobbin winder bracket actuating plate			

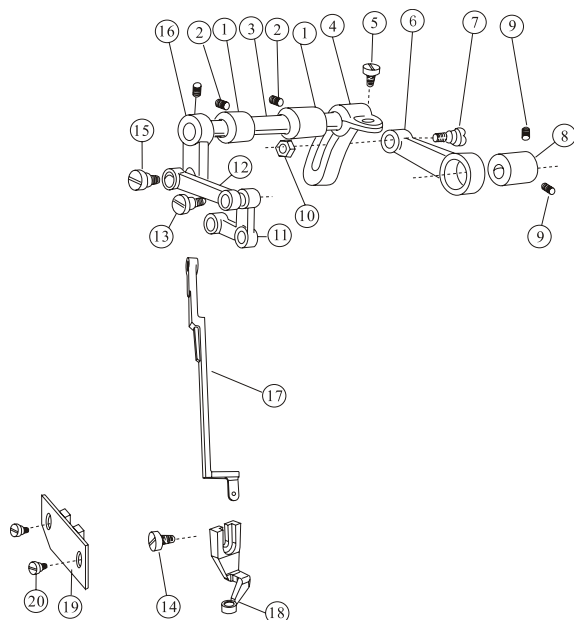


Ref N			61	416347801	Screw
1	416341601	Take-up thread	62	416347901	Bevel gear cover (lower-foreward)
2	416341701	Take-up thread con			
3	416341801	Thread take-up link lever hinge shaft			
4	416341901	Thread take-up crank			
4	416342001	Needle bearing			
5	416342101	Endscrew Left-hand			
6	416342201	Needle bar crank connecting rooe			
7	416342301	Needle crank			
8	416342401	Needle bar adaptor			
9	416342501	Screw			
10	416342601	Needle bar crank			
11	416342701	Screw			
12	416342801	Screw			
13	416342901	Set screw			
14	416343001	Needle bar upper bushing			
15	416343101	Felt			
16	416343201	Rubber Plug			
17	416354801	Needle bar lower bushing			
18	416343501	Needle bar			
19	416343601	Thread finger			
20	416343701	Needle			
21	416343801	Screw SMI 1/8" (3.18)x44/4.5			
22	416343901	Rail			
23	416344001	Screw SMI 1/64"(4.37)X40/8			
24	416344101	Sliding block			
25	416344201	Arm shaft			
26	416344301	Collar			
27	416344401	Screw			
28	416344501	Front bushing			
29	416344601	Middle bushing			
30	416344701	Screw			
31	416344801	Main shaft thrust collar			
32	416344901	Rubber plug			
33	416345001	Screw			
34	416345101	Vertical shaft			
35	416345201	Bevel gear			
36	416345301	Vertical shaft bevel gear (upper)			
37	416345401	Screw			
38	416345501	Rock shaft bevel gear			
39	416345601	Vertical shaft bevel gear (lower)			
40	416345701	Vertical shaft bushing (upper) complete			
41	416345801	Vertical shaft bushing (lower) complete			
42	416345901	Screw			
43	416346001	Hook driving shaft			
44	416346101	Hook driving shaft thrust collar			
45	416346201	Screw			
46	416346301	Hook driving shaft thrust collar (left)			
47	416346401	Screw			
48	416346501	Spring			
49	416346601	Hook driving shaft thrust collar (right)			
50	416346701	Hook Assembly			
51	416346801	Rotating hook position finger			
52	416346901	Screw			
53	416347001	Bobbin case			
54	416347101	Bobbin			
55	416347201	Rubber plug			
56	416347301	Screw			
57	416347401	Bevel gear cover (up-backward)			
58	416347501	Bevel gear cover (up-foreward)			
59	416347601	Bevel gear cover (lower-backward)			
60	416347701	Rubber plug			



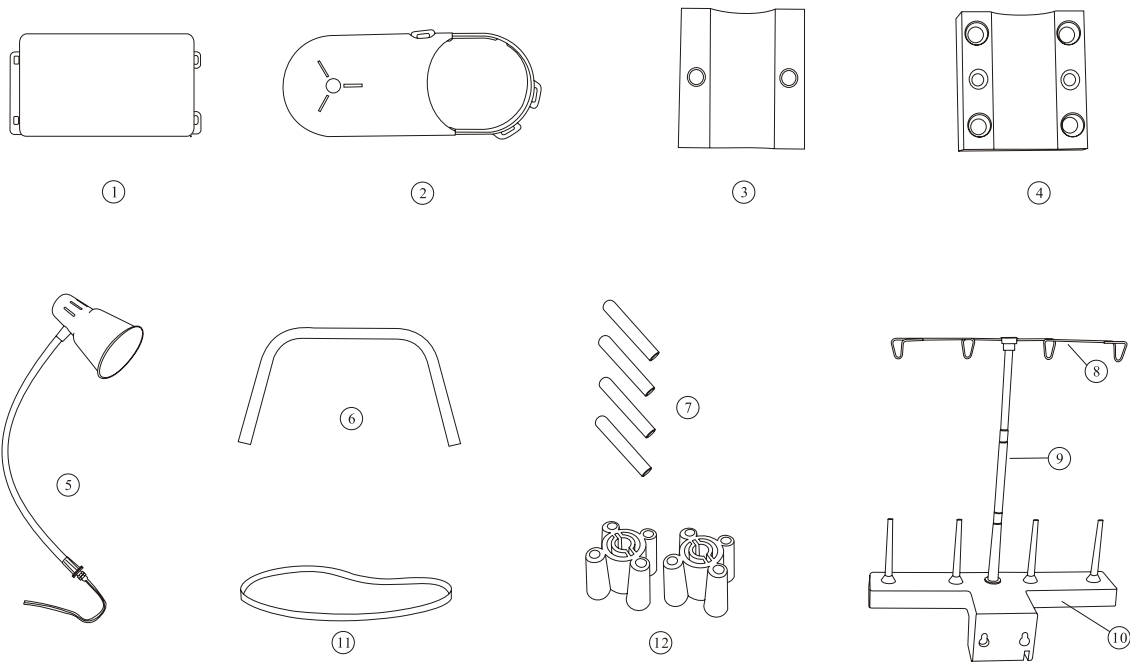
Ref N

1	416348001	Presser foot lift bar
2	416348101	Screw
3	416348201	Presser foot lift bar
4	416348301	Oil seal
5	416348401	Lever (left)
6	416348501	Thread releasing cam
7	416348601	Screw
8	416348701	Screw
9	416348801	Thread releasing lever
10	416348901	Bushing for presser bar
11	416349001	Presser bar
12	416349101	Guide for presser bar
13	416349201	Screw
14	416349301	Spring
15	416349401	Screw
16	416349501	Nut
17	416349601	Thread guide
18	416349701	Screw
19	416354901	Screw



Ref Nr

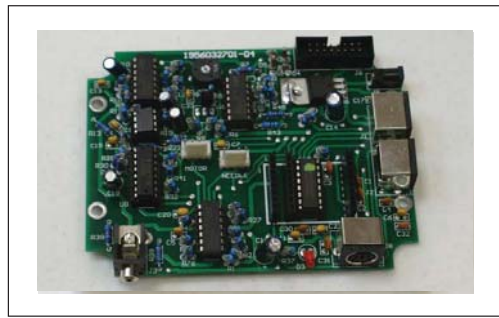
1	416349801	Bushing
2	416349901	Screw
3	416350001	Presser foot lift shaft
4	416350101	Link adjusting crank
5	416350201	Screw
6	416350301	Link complete
7	416350401	Screw
8	416350501	Eccentric cam
9	416350601	Screw
10	416350701	Nut
11	416350801	Presser foot feed crank
12	416350901	Link
13	416351001	Screw
14	416351101	Screw
15	416351201	Screw
16	416351301	Crank
17	416351401	Walking foot lever
18	416351501	Walking foot
19	416355001	Presser plate
20	416355101	Screw



Ref Nr		
1	41635360I	Protection shield
2	41635370I	Belt guard
3	41635390I	Hand bar dowel block A
4	41635400I	Hand bar dowel block B
5	41635380I	Lighting stand
6	41635410I	Hand bar
7	41635420I	Hand bar shield
8	41635430I	Thread fixing support
9	41635440I	Thread pole
10	41635450I	Thread stand
11	41635520I	Belt
12	41635530I	Cone Holder
13	41636700I	BULB ONLY FOR LAMP
14	41636710I	BOTTLE OF OIL



416351801
Power Supply



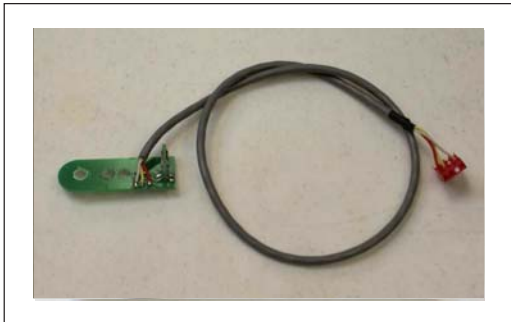
416351901
Controller Board



416352001
Power (16 pin) Ribbon Cable



416352101
Motor Sensor



416352201
Needle Sensor



416352301
Needle Disk



416352401
Motor Disk



416352501
Handle bar (10 pin) Ribbon Cable



416352601
Left Handle Bar Controller HV



416352701
Right Handle Bar Controller HV



416352801
Handle bar to controller cable (9 pin Din)



416352901
Encoder Y cable (6 pin Din)



416353001
Encoder Roller



416353101
Power Cord



416353201
Motor