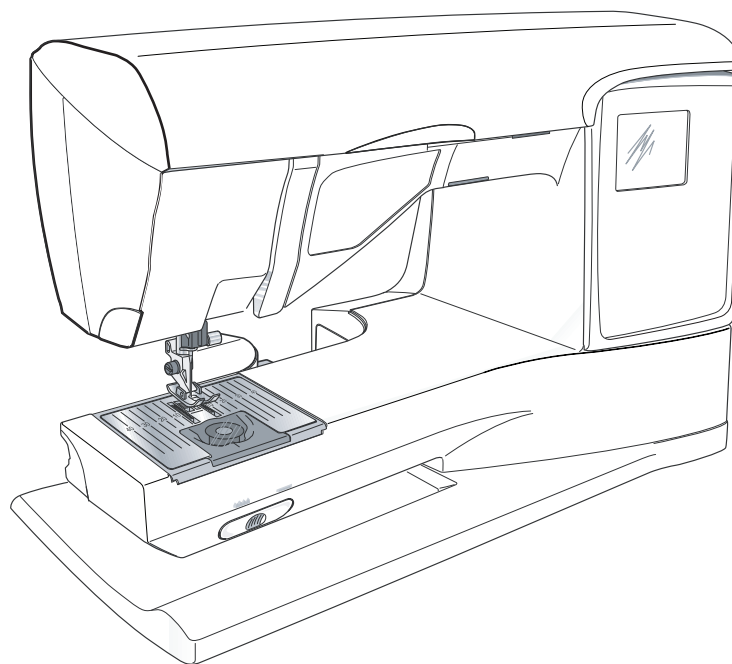


Parts List



Sapphire

835

From Product nr 957346 and 957349

855

From Product nr 957347 and 957350

875

From Product nr 957348 and 957351

140

Celebration

NOTE! This parts list is **ONLY** for machines that have the below product number.

835 From Product nr 957346 and 957349

855 From Product nr 957347 and 957350

875 From Product nr 957348 and 957351

These Sapphire machines has a different feed unit, lower shaft, upper shaft and frame.

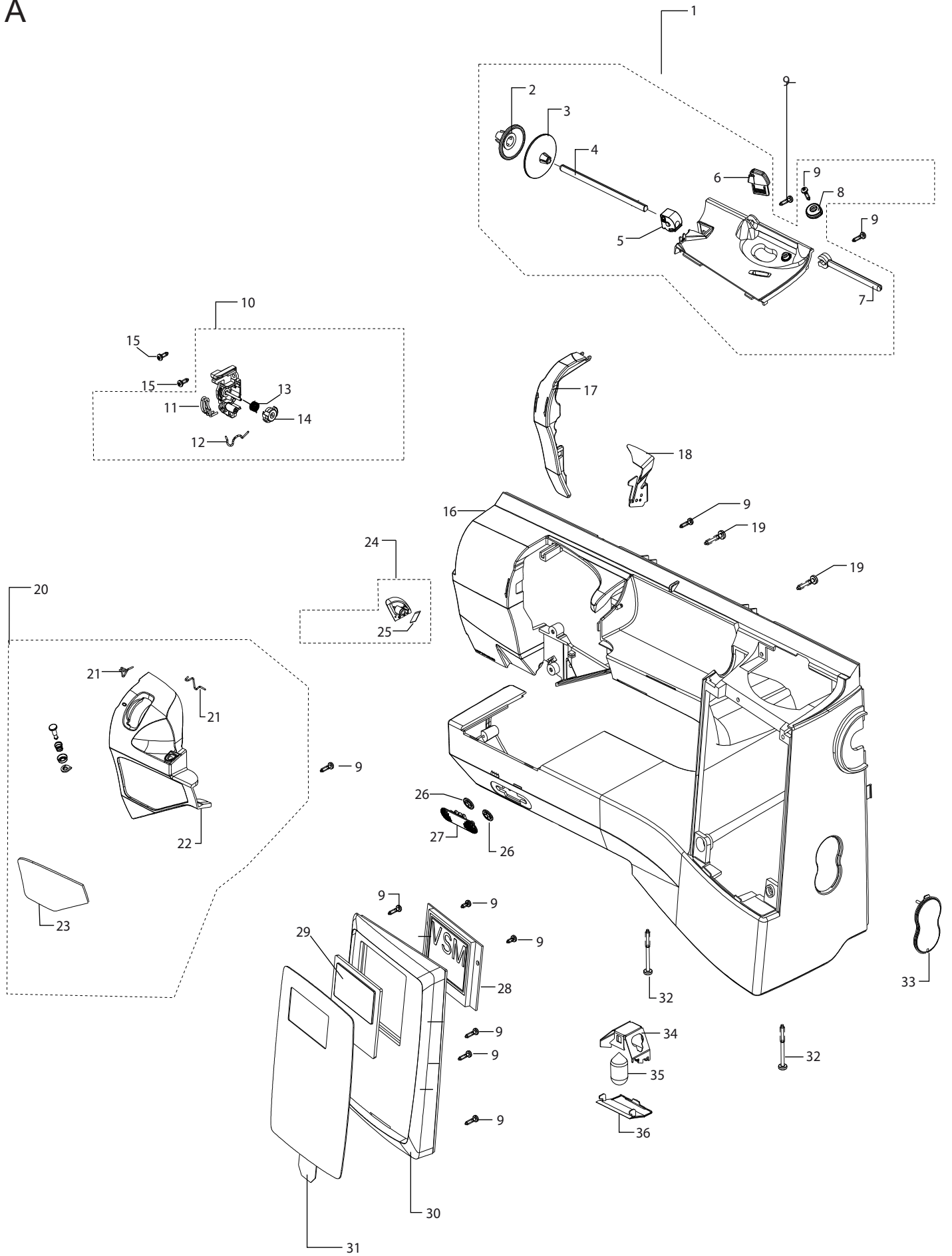
IT IS NOT COMPATIBLE WITH previous models

For previous version see part list 104 23 27-96

Sapphire

Sapphire

A



Sapphire

A

1	412960101	COVER, BOBBIN WIN. CPL. NO MOTOR
2	413051602	SPOOL HOLDER 35MM
3	412371102	LARGE SPOOL CAP
4	412521001	REEL PIN
5	412960301	GUIDE, REEL PIN
6	413022501	COVER THREAD KNIFE CPL. WIN. AV.
7	412960401	THREAD REEL PIN
8	412979601	WINDING STOP
9	411966803	SCREW PT 30*12 FZB TORX
10	413004004	THREAD SENSOR CPL.
11	412519301	THREAD GUIDE
12	413004501	THREAD CONTROL, THREAD SENSOR
13	412519202	CHECK SPRING
14	413004301	ADJUSTING SLEEVE
15	411966820	SCREW PT 30*10 FZB KOMBITORX
16	412978501	FRONT COVER
	412978502	FRONT COVER 140C
17	413047602	THREAD GUIDE
18	412981302	THREAD GUIDE CPL.
19	411966810	SCREW PT 40*20 FZB TORX
20	412970005	THREAD TENSION COVER HV MECH.835/855
	412970006	THREAD TENSION COVER HV MOTOR 875
21	412981602	THREAD GUIDE
22	412970101	THREAD TENSION COVER MEC.
	413018901	THREAD TENSION COVER HV MOTOR
23	413019502	KEYBOARD, SEWING HEAD 835/855
	413019603	KEYBOARD,SEWING HEAD 875Q
	413019503	KEYBOARD, SEWING HEAD 140C
24	413022001	COVER THREAD KNIFE CPL. WIN.AV.
25	412423701	THREAD CUTTER
26	735583001	STARLOCK WASHER
27	412989201	FEED DOG LOWERING BUTTON
28	413009001	PCB ASSEMBLY, LCD HV
	413009301	PCB ASSEMBLY, LCD
29	412977301	GLASS HV
	413018101	GLASS HV
30	412960901	PANEL
	412960903	PANEL 140C
31	412977402	KEYBOARD PANEL 835
	413019702	KEYBOARD PANEL 855
	413019703	KEYBOARD PANEL 140C
	413019802	KEYBORAD PANEL 875
32	411966812	SCREW PT 40*40 FZB TORX
33	412988601	COVER USB
34	412605001	REFLECTOR
35	413181802	LAMP, 24V, 5W
36	412985301	LAMP COVER

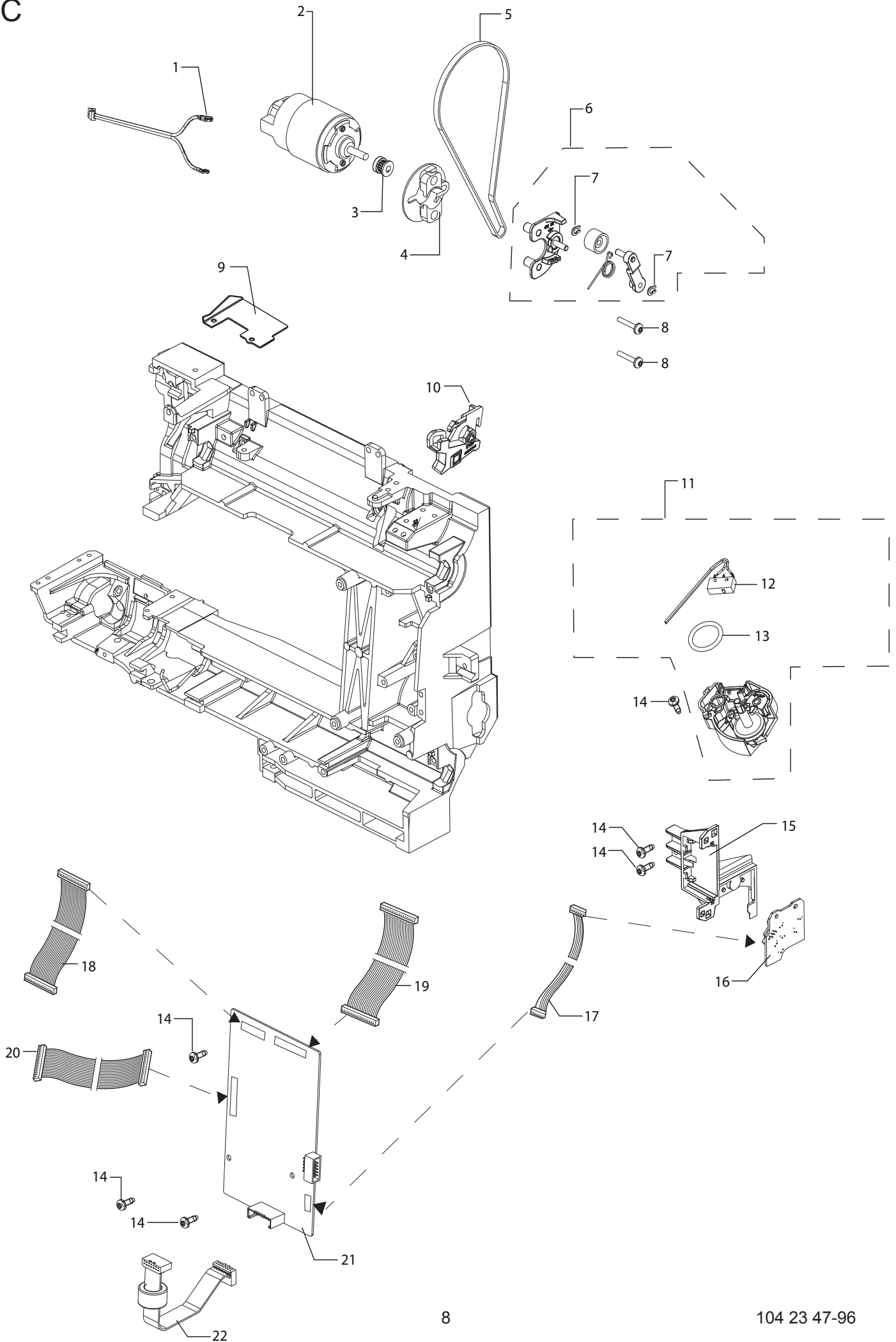
Sapphire

B

1	412960506	LID 835
	412960507	LID 855
	412960508	LID 875
	412960510	LID 140C
2	412569701	DAMPER
3	411966803	SCREW PT 30*12 FZB TORX
4	412954701	HANDLE
5	411966810	SCREW PT 40*20 FZB TORX
6	412966201	COVER
7	412959101	BACK COVER
8	411966812	SCREW PT 40*40 FZB TORX
9	413019203	POWER SUPPLY CPL.
10	411967107	SCREW PT FS 40*35 FZB TORX
11	412959202	BOTTOM COVER
12	412305001	BASE PLATE RUBBER FOOT
13	412954501	BOTTOM PLATE

Sapphire

C

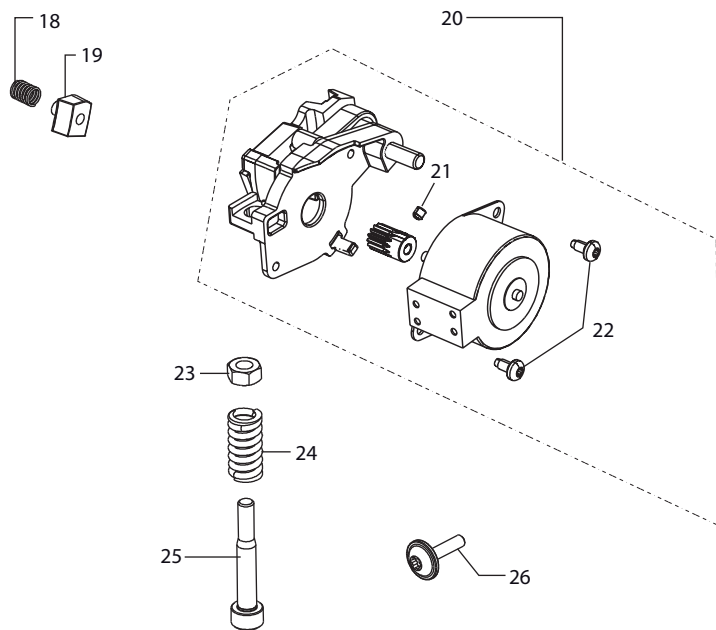
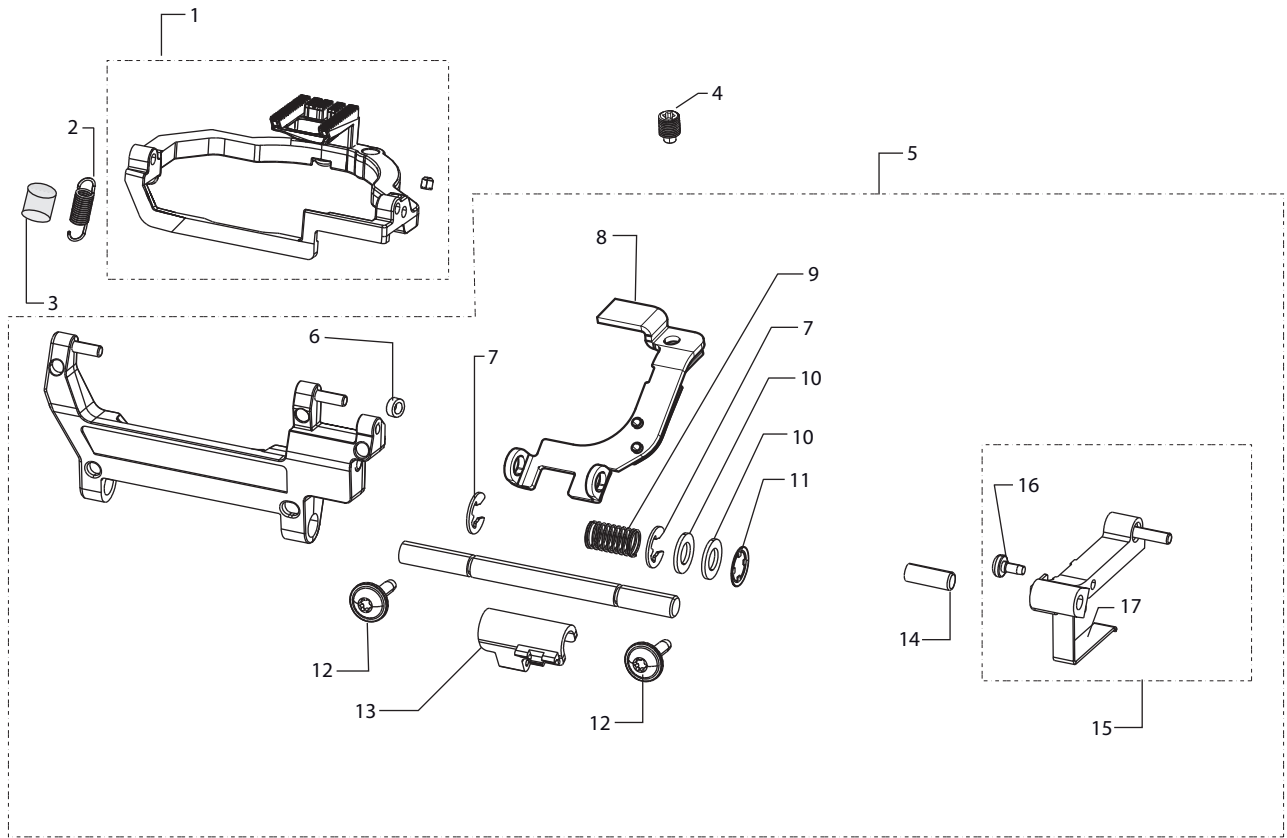


Sapphire

C

1	413056901	CABLE MAIN MOTOR
2	9233011191000	ENGINE DOMEL
3	412353302	DRIVING WHEEL MOTOR 350,400,500
4	412999901	RUBBER DAMPER, MOTOR
5	413020201	COG BELT MOTOR
6	412971901	BELT STRETCHER CPL.
7	735613640	COMPRESSION RINGS Ø4
8	412211415	SCREW M4*20 TORX
9	413286401	THREAD GUIDE
10	413024101	CABLE LOCATOR
11	412955501	BOBBIN WINDING UNIT
12	413049101	MICRO SWITCH CPL.
13	412305503	O-RING
14	412056006	SCREW TAPTITE M4*12 TORX
15	412985501	HOLDER
16	412986401	SENSOR BOARD,ASS.
17	412546913	CABLE ASSEMBLY (6P)
18	412546910	CABLE ASSEMBLY (14P)
19	412546911	CABLE ASSEMBLY (20P)
20	412546912	CABLE ASSEMBLY (18P)
21	413016652	CONTROL BOARD 835
	413016653	CONTROL BOARD 855 / 140 C
	413016654	CONTROL BOARD 875
22	412349703	CABLE TRANSF-CONTROL BOARD

D

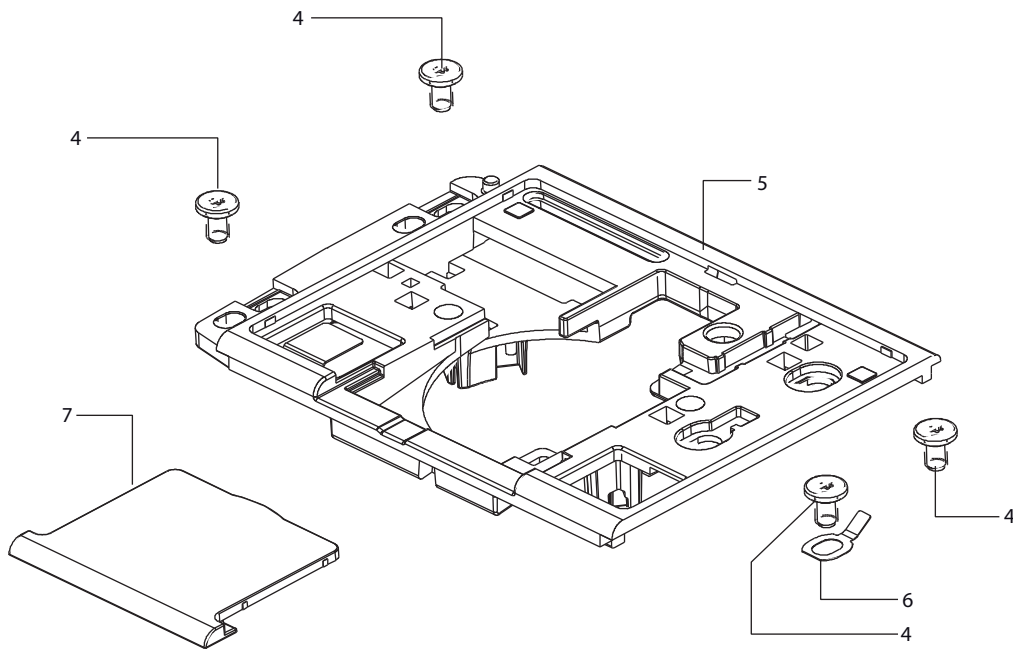
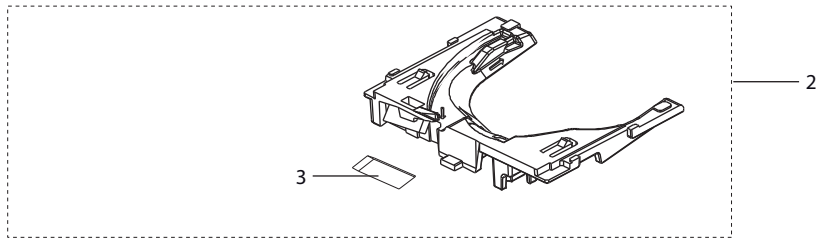
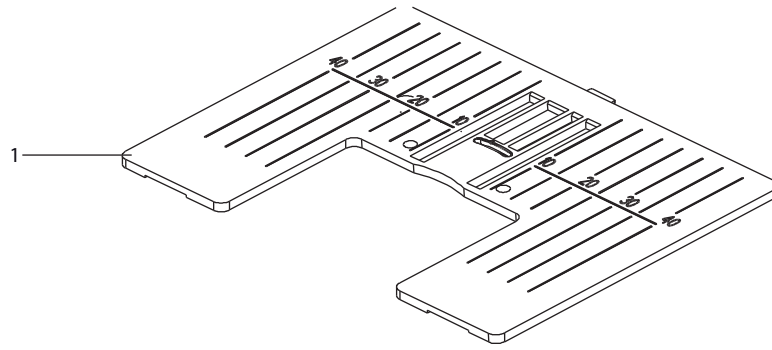


Sapphire

D

1	413201301	FEED DOG CPL.
2	413270001	TENSION SPRING, FRAME FEED DOG
3	413112601	BUFFER
4	413201201	ADJUSTMENT SCREW, FEEDER
5	413269005	CARRIAGE FEED CPL.
6	413007801	SPACER, FEED
7	735310820	LOCK WASHER 4
8	413200901	LEVER FEED LIFT CPL.
9	412962501	SPRING, FEED DOG LOWERING
10	412829101	WASHER, LOWER SHAFT
11	412368001	LOCK WASHER
12	413169401	COLLAR SCREW TT TORX 4*14
13	413004701	INSERT, LEVER FEED LIFT
14	412316023	INA PIN NRB 4*19,8 0-2UM
15	412961601	LINK, CARRIAGE FEED CPL.
16	412056004	SCREW TAPTITE M3*6 TORX
17	412961501	SPRING, FEED
18	412961701	SPRING, SLIDING BLOCK
19	412961801	BLOCK, GUIDE
20	412963501	STEPPING MOTOR UNIT, FEED
21	411968703	SET SCREW FLAT, M3*3 TORX
22	412056011	SCREW TAPTITE M3*5 TORX
23	413025401	NUT M5*0,5
24	412963601	SPRING
25	412963701	SCREW BALANCE ADJUSTMENT
26	413034402	COLLAR SCREW M4*10, LEFT HAND

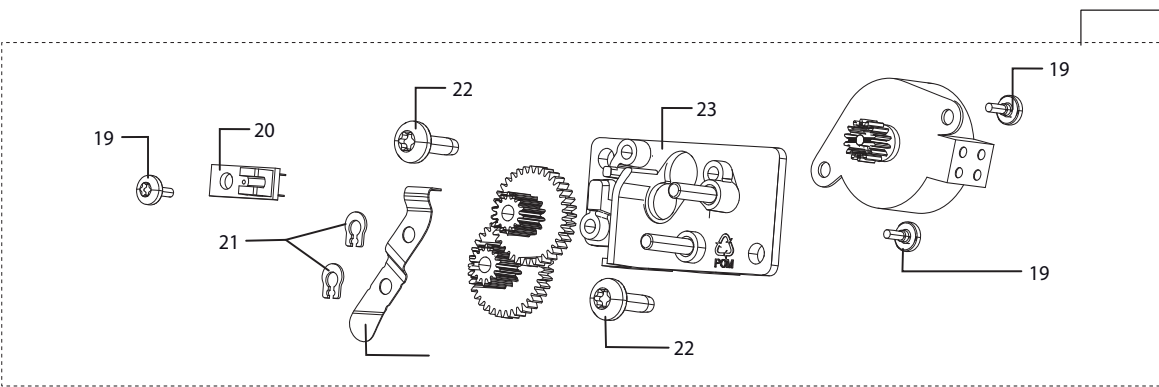
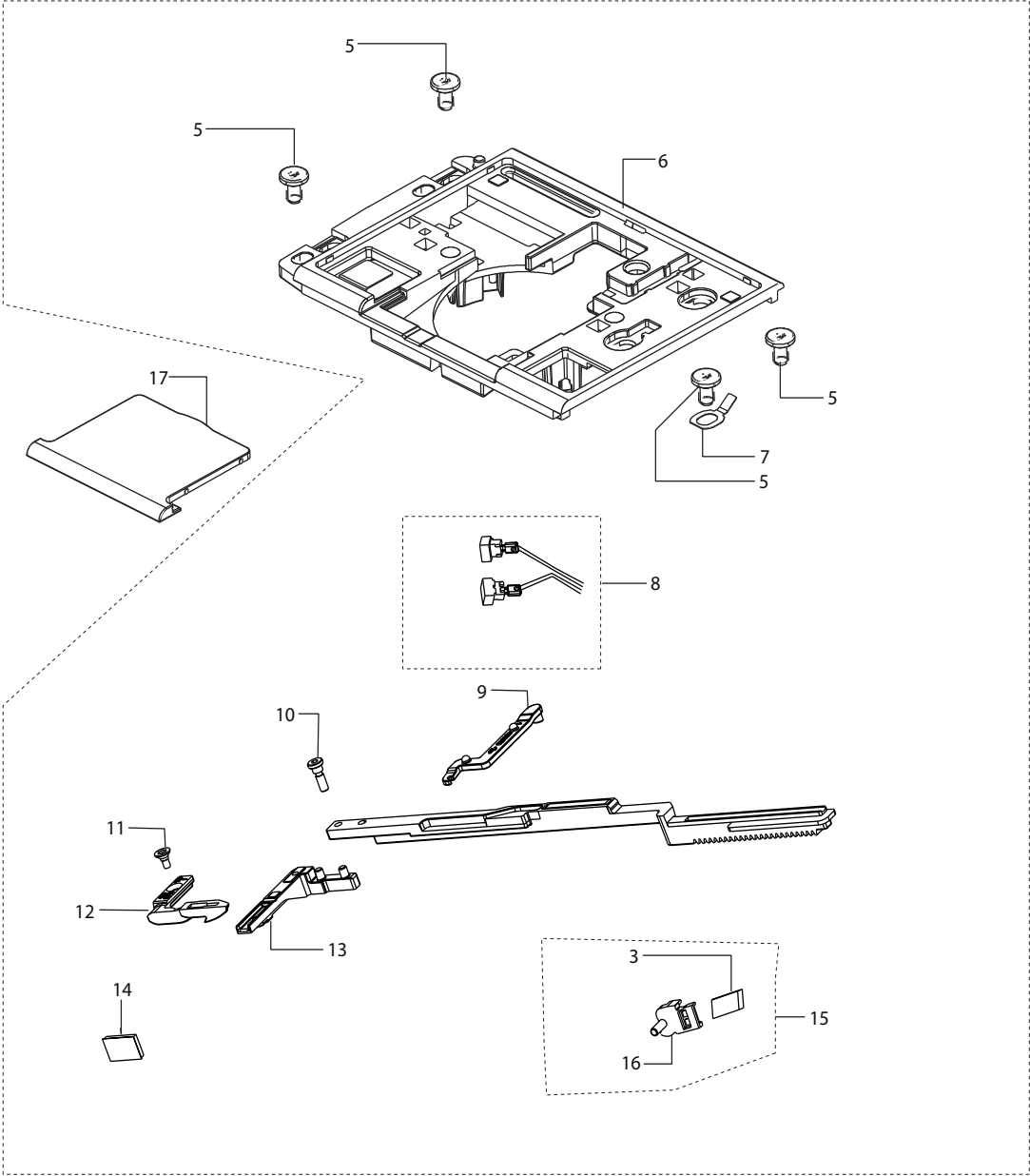
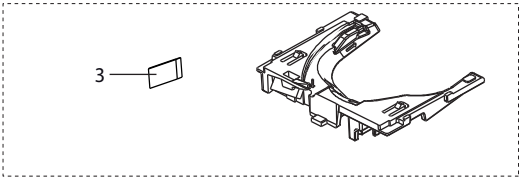
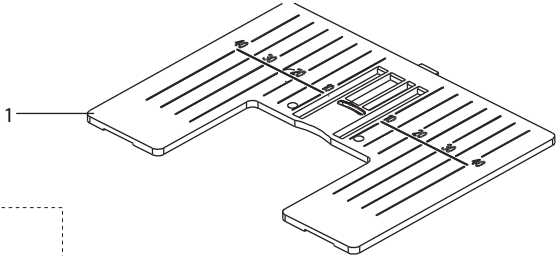
E



Sapphire 835 855

1	412964201	STITCH PLATE HV MM
2	413025601	RETAINER
3	412423701	THREAD CUTTER
4	412287903	SCREW
5	412964105	HOOK COVER
6	412997701	ESD SPRING, STITCH PLATE
7	412963901	BOBBIN COVER

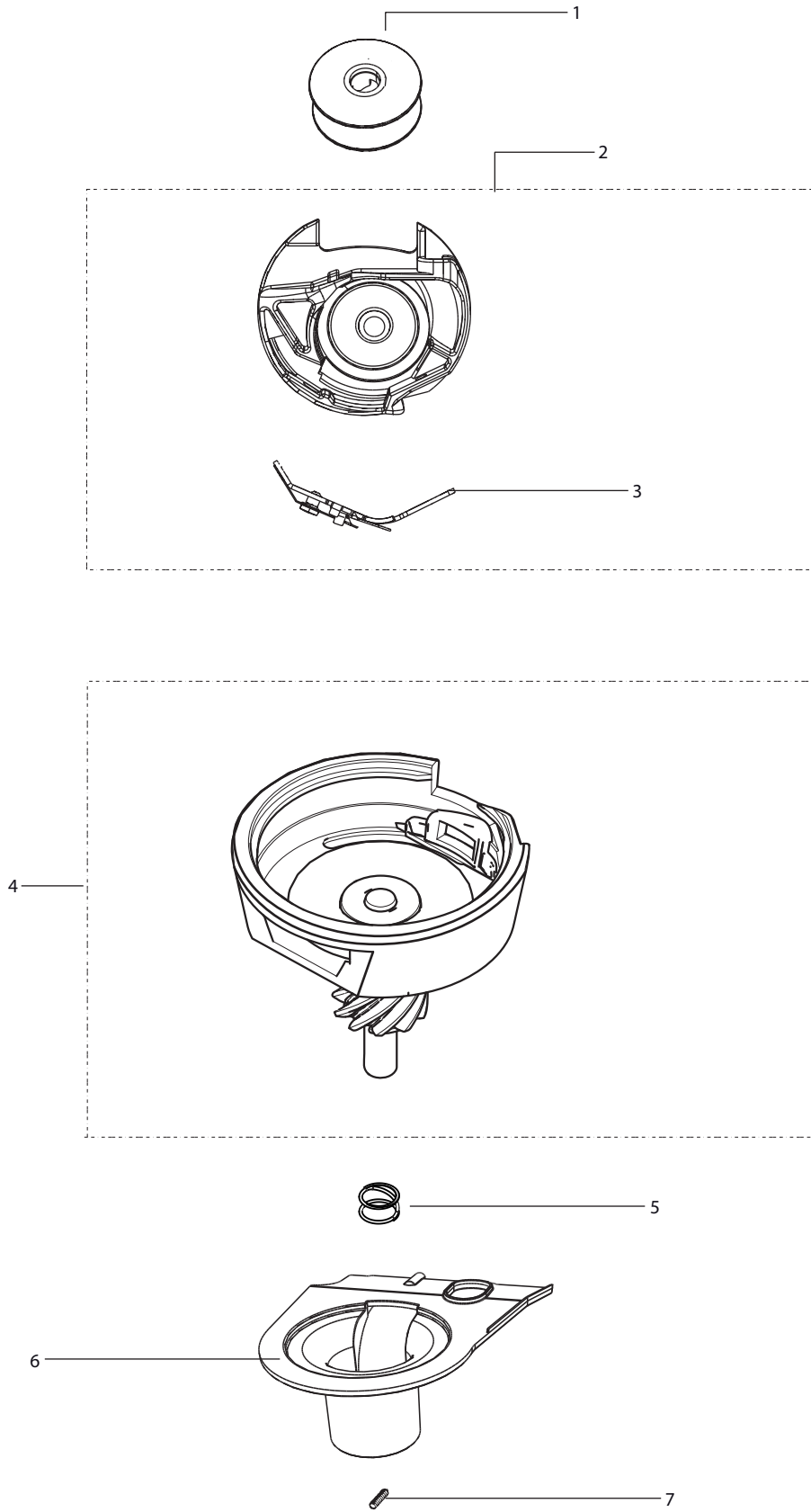
E



1	412964201	STITCH PLATE HV MM
2	413025601	RETAINER
3	412423701	THREAD CUTTER
4	412964002	HOOK COVER CPL. CUT.AND SENS.
5	412287903	SCREW
6	412964105	HOOK COVER
7	412997701	ESD SPRING, STITCH PLATE
8	413101502	CABLE ASS. BOBBIN SENSOR
9	413007301	FETCHER UPPER THREAD
10	413010001	GUIDE PIN
11	412280501	SCREW, COUNTERSUNK
12	413007101	FETCHER
13	413072201	CONNECTING PART, FETCHER
14	413116701	THREAD BRAKE
15	413047301	KNIFE HOLDER CPL.
16	413007701	KNIFE HOLDER
17	412963901	BOBBIN COVER
18	413007401	STEPPING MOTOR CPL.
19	411966828	SCREW PT 30*6 FZB TORX
20	413072501	CUT SENSOR ASS.
21	735612440	COMPRESSION RINGS Ø3
22	412056006	SCREW TAPTITE M4*12 TORX
23	413007502	MOTOR PLATE CPL.

F

Sapphire



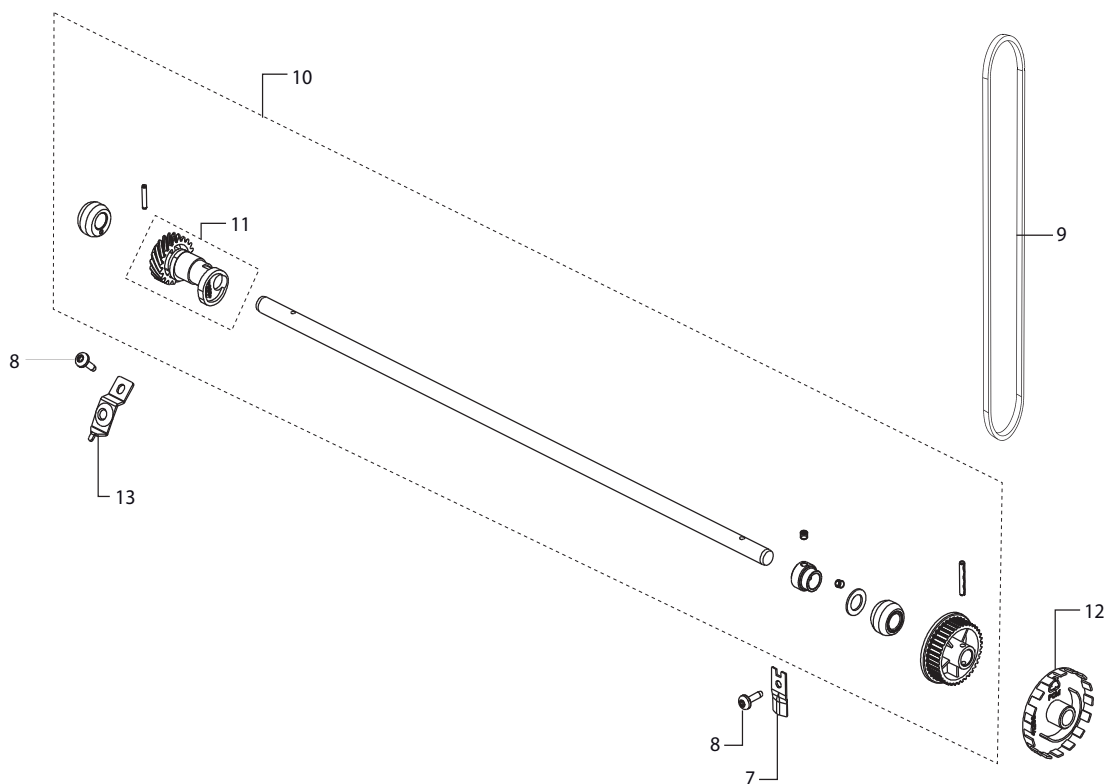
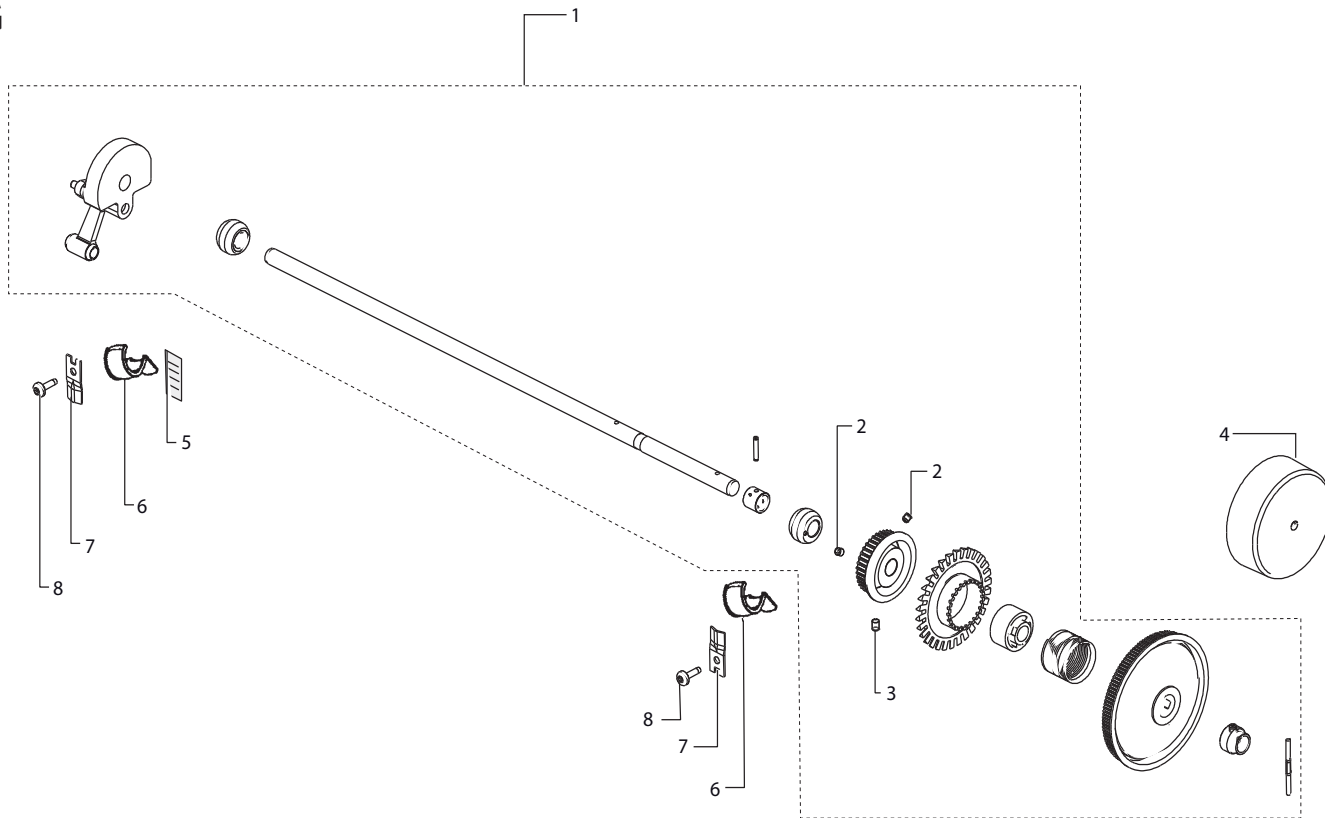
Sapphire

1	413182545	BOBBIN HV
2	413058901	BOBBIN CASE CPL.
3	412471601	THREAD TENSION CPL.
4	412876902	HOOK CPL WITH SHAFT
5	412930101	SPRING, HOOK
6	412964502	DUST COVER
7	728528705	SCREW M4*8 ROSE

F

Sapphire

G



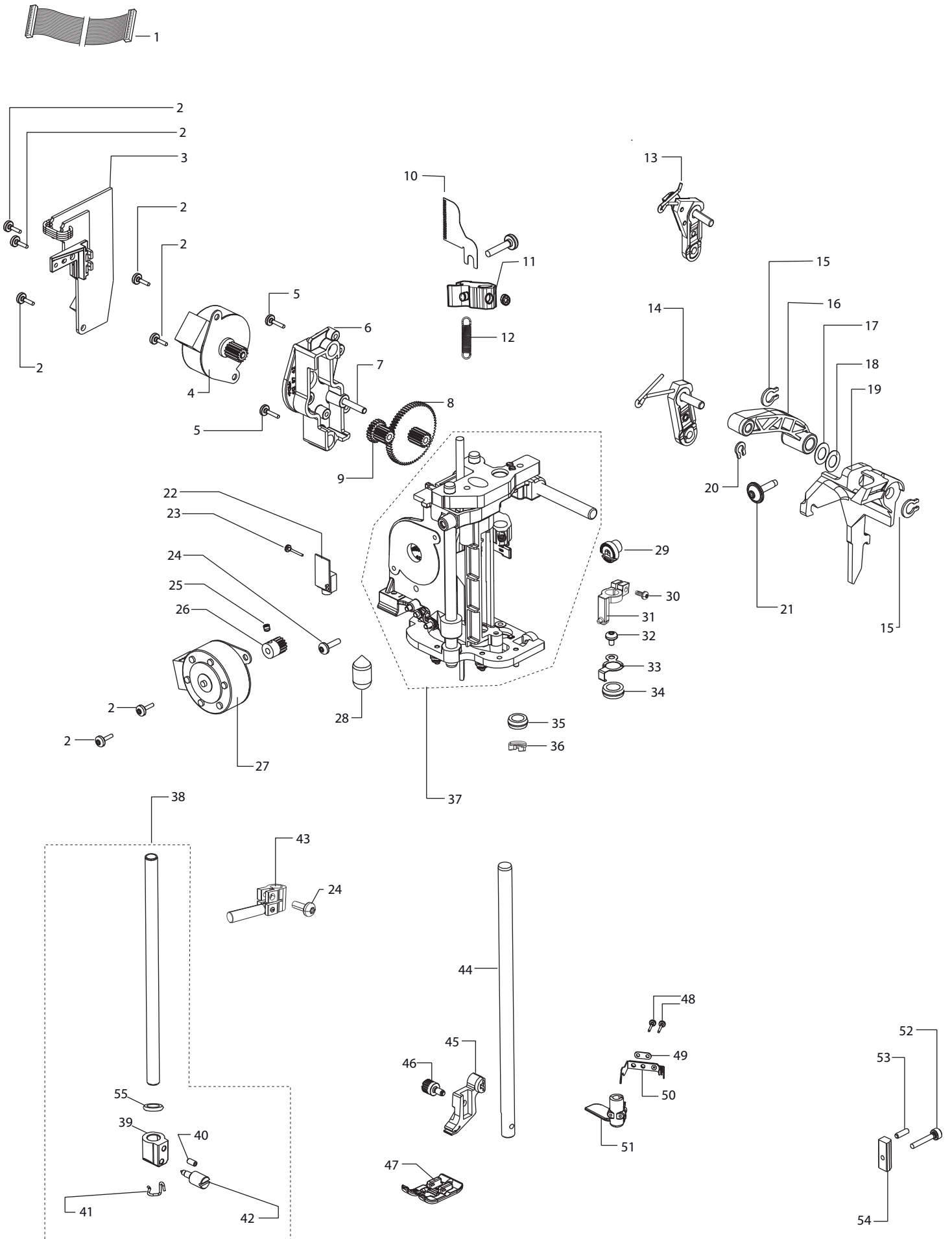
Sapphire

G

1	412966706	UPPER SHAFT CPL.
2	411968706	SET SCREW FLAT, M4*4 TORX
3	411968807	SET SCREW POINTED, M4*6 TORX
4	412954601	HAND WHEEL
5	412687601	GROUND TAPE
6	412558401	ABSORBER
7	412328401	CLAMP
8	412056006	SCREW TAPTITE M4*12 TORX
9	413020301	COG BELT UPPER-LOWER SHAFT
10	412967902	LOWER SHAFT CPL.
	412967903	LOWER SHAFT CPL. (BOX) from product nr 957 357 -xxx
11	412964402	ECCENTRIC FEED CPL.
	412964403	ECCENTRIC FEED CPL. (BOX) from product nr 957 357 -xxx
12	412968101	SHIELD, REVOLUTION INDICATOR
13	412318101	CLAMP LOWER SHAFT

Sapphire

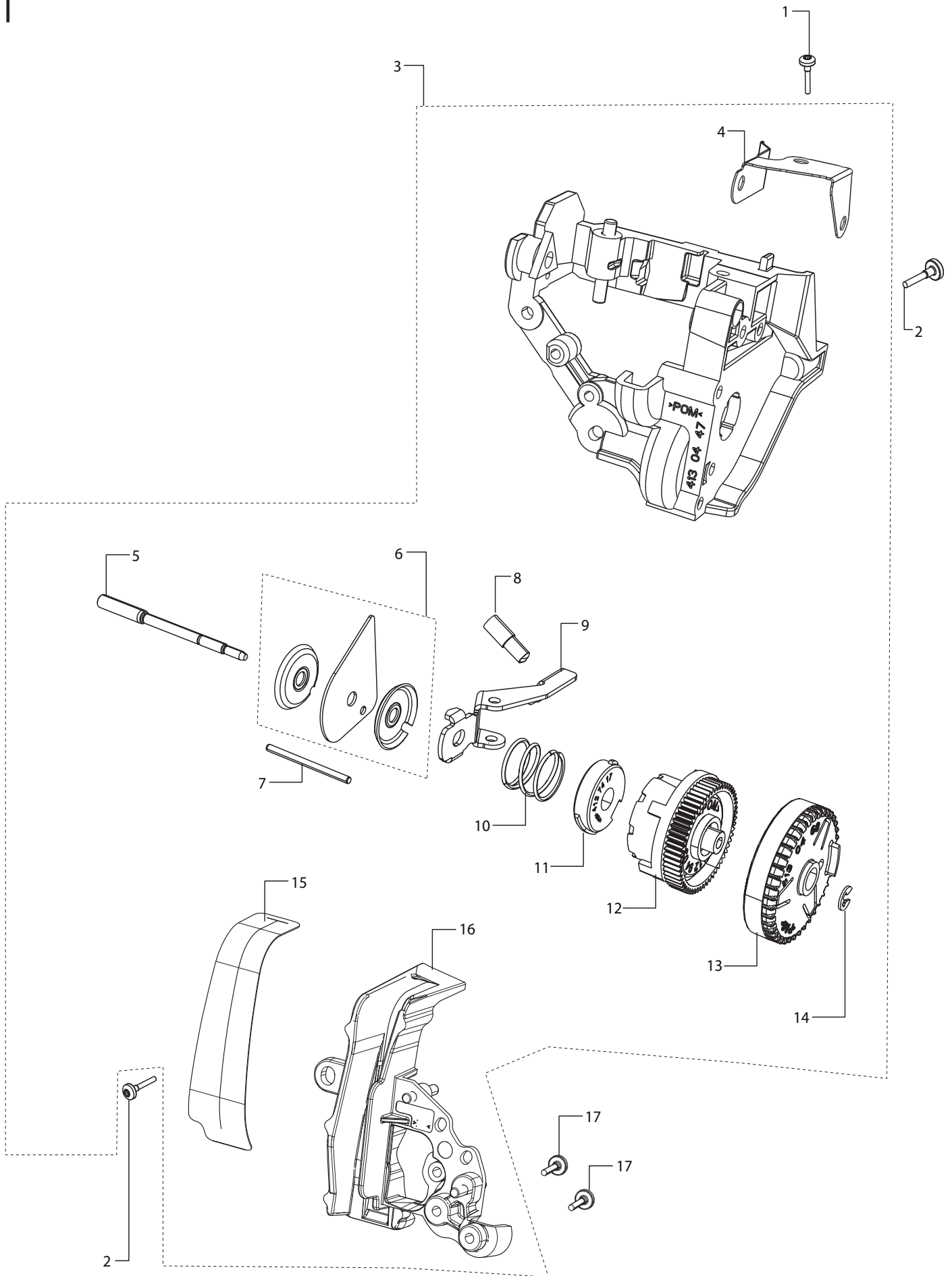
H



Sapphire

H

1	412546912	CABLE ASSEMBLY (18P)
2	411966801	SCREW PT 30*7,5 FZB TORX
3	413015501	CONN. BOARD SERVO SENS.
4	413005901	STEPPING MOTOR CPL.
5	411966820	SCREW 30*10 FZB KOMBITORX
6	412974201	GEAR HOUSE,SERVO
7	412316010	INA PIN NRB 3*17,8 0-3UM
8	412974401	GEAR WHEEL, SERVO SEC.
9	412974301	GEAR WHEEL, SERVO PRIM.
10	412973901	SHIELD, PRESSER FOOT SERVO
11	413261601	GUIDE,SERVO CPL.
12	N/S	SPRING, PRESSER FOOT PRESSURE
13	413300302	TAKE UP LEVER CPL. WITH LINK
14	412394401	THREAD TAKE UP
15	735615340	COMPRESSION RINGS Ø6
16	413047401	LINK
17	411980601	WASHER
18	412001301	SPRING WASHER Ø6,1/9*0,1
19	413048902	LEVER, THREAD RELEASER
20	735613640	COMPRESSION RINGS Ø4
21	413169401	COLLAR SCREW TT TORX 4*14
22	413031001	BUTTONSENS.CONN.ASS.
23	411966821	SCREW PT 18*10 FZB TORX
24	412211404	SCREW M3*10 TORX
25	411968703	SET SCREW FLAT, M3*3 TORX
26	413057201	GEAR.Z-Z
27	412993901	STEPPING MOTOR
28	413181802	LAMP, 24V, 5W
29	412966501	CALIBRATION KNOB
30	413019001	SCREW K 30*8 PT WN 1452-S
31	412993501	STROKE LIMITER
32	412211401	SCREW M3*4 TORX
33	413060301	CLIPS,GABLE LOWER
34	412500601	BEARING
35	412501501	BEARING 10/6,35-4
36	412504701	LOCKING DEVICE
37	413244201	SEWING HEAD CPL.
38	412581704	NEEDLE BAR CPL.
39	412581802	NEEDLE CLAMP
40	728521905	SOCKET SET SCREWS, FLAT POINT
41	412581901	THREAD GUIDE
42	412732301	SCREW NEEDLE CLAMP
43	412993603	CROSS HEAD CPL.
44	412285403	PRESSER BAR
45	412411201	HOLDER, PRESSER FOOT
46	412409701	SCREW PRESSER SHAFT
47	412764001	PRESSER FOOT A 7MM
48	411966825	SCREW PT 16*8 FZB TORX
49	412876701	WASHER, NEEDLE THREADER
50	413238402	NEEDLE THREADER
51	412876801	HOLDER, NEEDLE THREADER
52	725522805	SCREW M3*16 ISNEX
53	728522205	SOCKET SET SCREW FLAT POINT
54	412966601	WEDGE
55	411750303	STOP, NEEDLE CLAMP

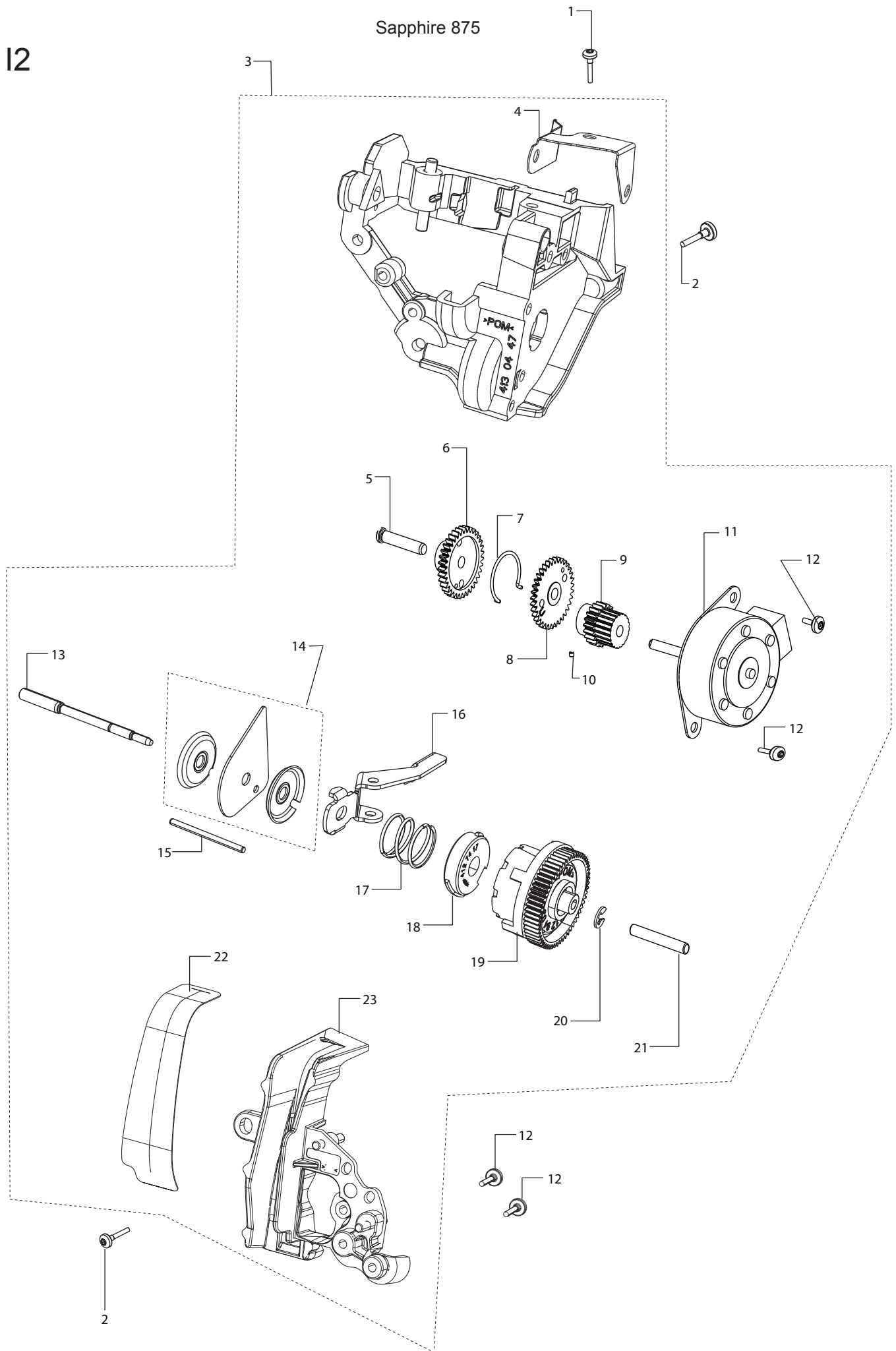


Sapphire 835 855

1	411966803	SCREW PT 30*12 FZB TORX
2	411966807	SCREW PT 40*10 TORX
3	412940202	THREAD TENSION ASS.
4	412940602	CONTACT SPRING THREAD TENSION
5	412940101	SHAFT, THREAD TENSION
6	413106402	THREAD DISK KIT
7	413113201	PIN
8	412962801	ADJUSTING SCREW, FEED DOG
9	412940501	RELEASE LEVER, THREAD TENSION
10	413159501	COMPRESSION SPRING, THREAD TENS.
11	412741701	NUT THREAD TENSION
12	413303401	SPRING HOUSING CPL.
13	413046802	ADJUSTING DIAL
14	735310620	LOCK WASHER 2.3
15	413218502	SEALING, TAKE UP LEVER
16	413232201	SHIELD, TAKE UP LEVER ASS.
17	411966820	SCREW 30*10 FZB KOMBITORX

Sapphire 875

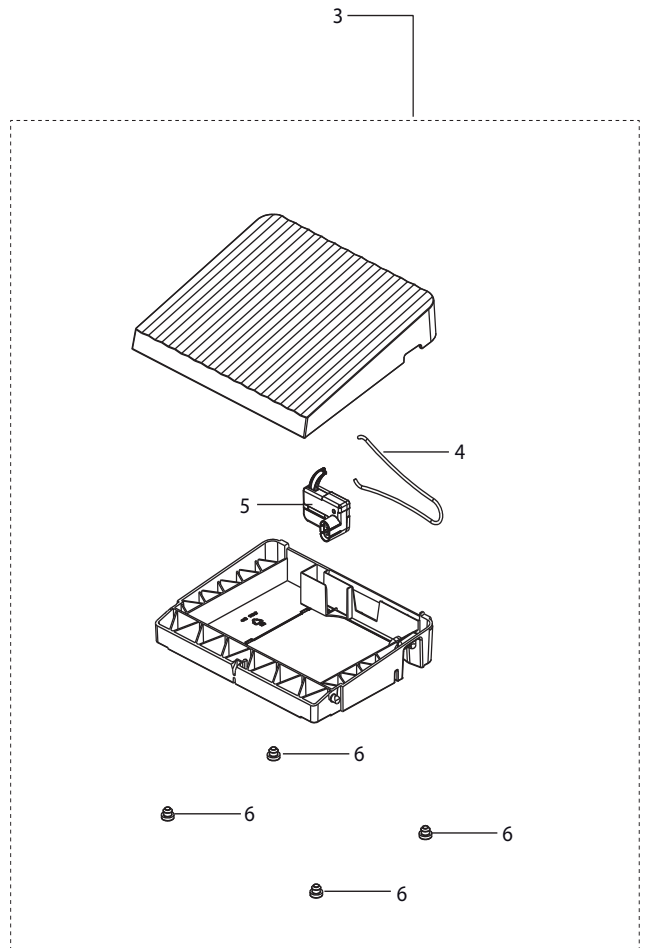
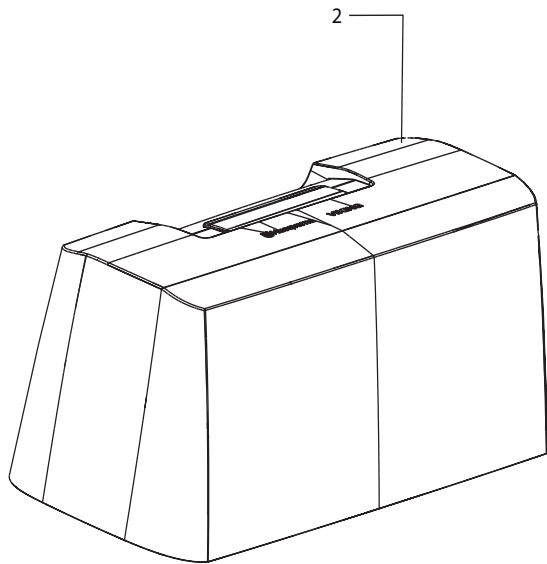
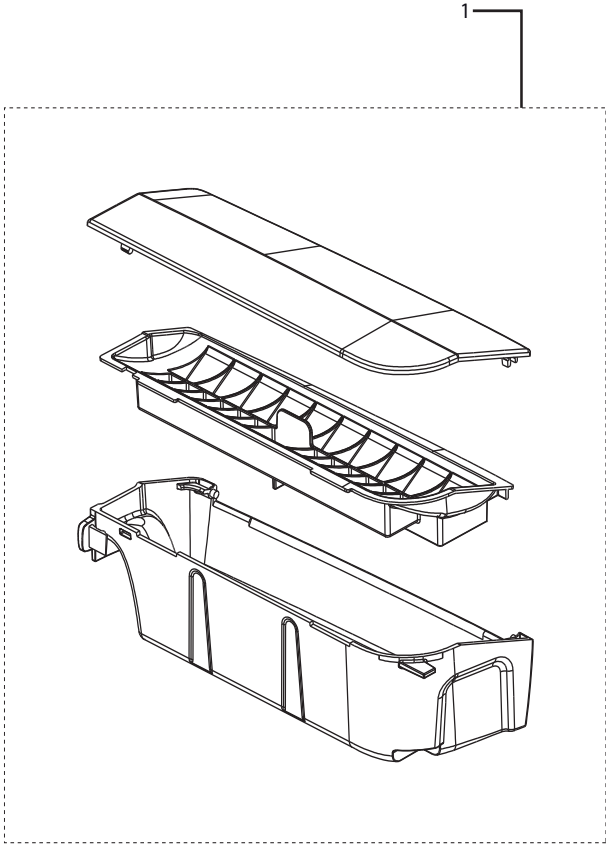
12



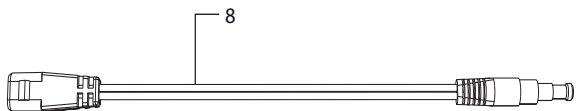
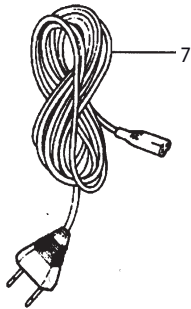
1	411966803	SCREW PT 30*12 FZB TORX
2	411966807	SCREW PT 40*10 TORX
3	412940203	THREAD TENSION ASS.
4	412940602	CONTACT SPRING THREAD TENSION
5	413056002	SHAFT, THREAD TENSION
6	413059101	INTERMEDIATE GEAR, FIXED
7	412442801	SPRING GEAR WHEEL
8	413059202	INTERMEDIATE GEAR, MOVABLE
9	412742401	GEAR, FIXED
10	411968703	SET SCREW FLAT, M3*3 TORX
11	412993903	STEPPING MOTOR
12	411966820	SCREW 30*10 FZB KOMBITORX
13	412940101	SHAFT, THREAD TENSION
14	413106402	THREAD DISK KIT
15	413113201	PIN
16	412940501	RELEASE LEVER, THREAD TENSION
17	413159501	COMPRESSION SPRING, THREAD TENS.
18	412741701	NUT, THREAD TENSION
19	413303401	SPRING HOUSING CPL.
20	735310620	LOCK WASHER 2.3
21	412316060	INA PIN NRB 3*23,8 0-2UM
22	413218502	SEALING, TAKE UP LEVER
23	413232201	SHIELD, TAKE UP LEVER ASS.

Sapphire

J



POWERCORD



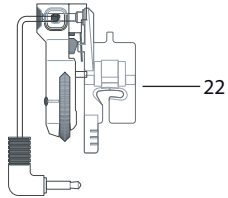
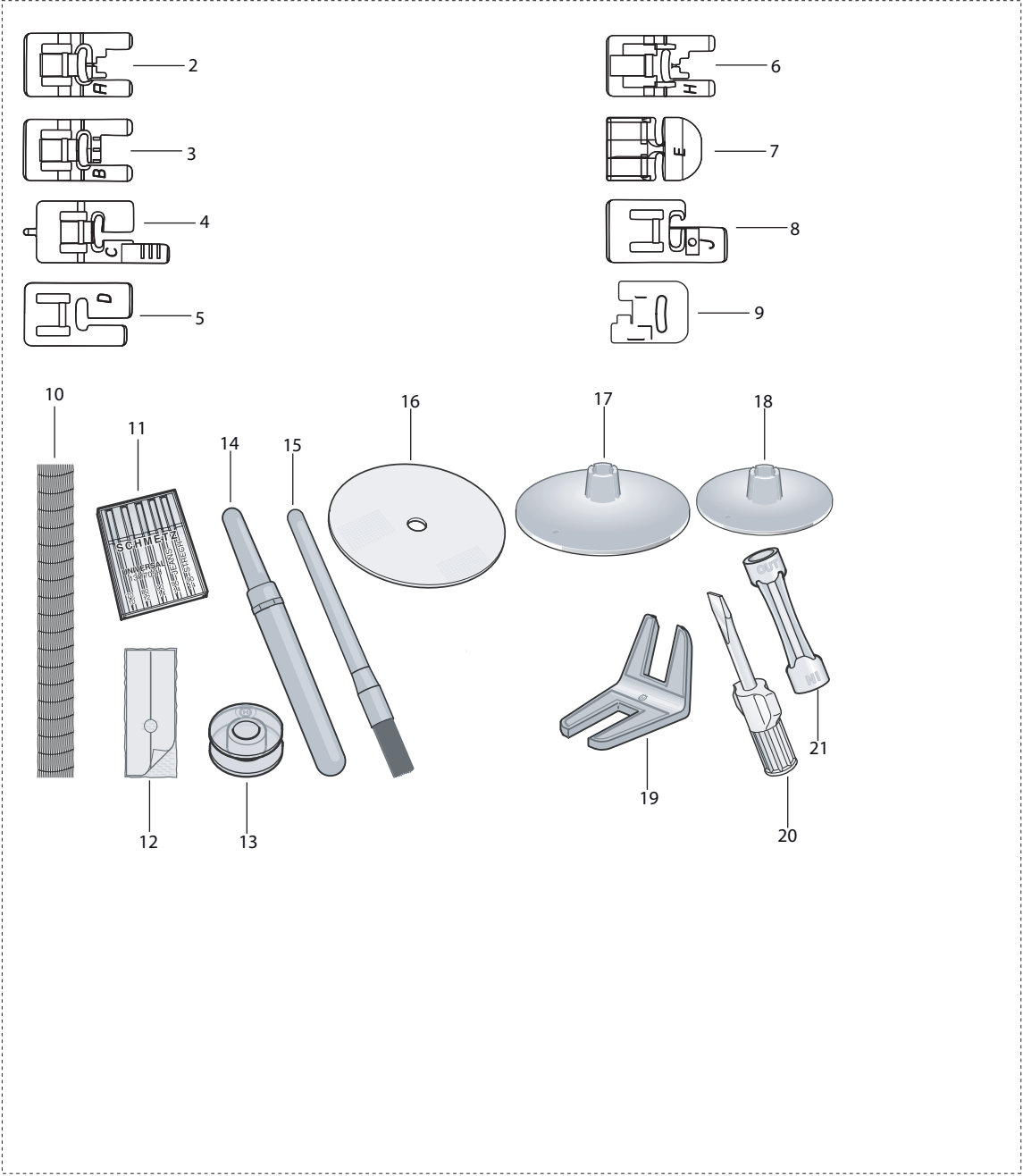
Sapphire

J

1	412983901	ACCESSORIES BOX CPL.
2	413018703	HARD COVER CPL.
3	412991402	FOOT CONTR.CPL. WHITE N.WIND
4	412159801	SPRING
5	412318901	SPEED CONTROL UNIT
6	412184501	FOOT
7	412157801	NET CABLE 220V
	412157902	NET CABLE 120V JP
	412157903	NET CABLE 120V
	412158002	NET CABLE GB
	412158101	NET CABLE AU
8	413021501	CABLE, FOOT CONTROL

K

1



Sapphire

K

1	413021606	STD. ACC. CPL 835, 855
	413021607	STD. ACC. CPL 875
2	412764001	PRESSER FOOT A 7MM
3	412785446	PRESSER FOOT B
4	412785345	BUTTON HOLE PRESSER FOOT C
5	412380445	BLIND HEM FOOT D
6	412796145	SMOOTH GLIDE FOOT H
7	412801545	ZIPPER PRESSER FOOT
8	412380645	EDGING PRESSER FOOT J, PIN PAC
9	412849801	EMBROIDERY FOOT R CPL.
10	412397701	THREAD NET 15*100
11	N/S	NEEDLES
12	412827401	GLIDE SOLE, BUTTON HOLE FOOT
13	413182545	BOBBIN HV
14	401539901	SEAM RIPPER
15	401555501	BRUSH
16	412610701	FELT PAD
17	413051603	SPOOL HOLDER 45MM
18	413051602	SPOOL HOLDER 35MM
19	413105601	CLEARANCE PLATE
20	412381501	SCREW DRIVER
21	412570101	SLEEVE, LAMP
22	412815102	BUTTONHOLE SENSOR FOOT CPL.