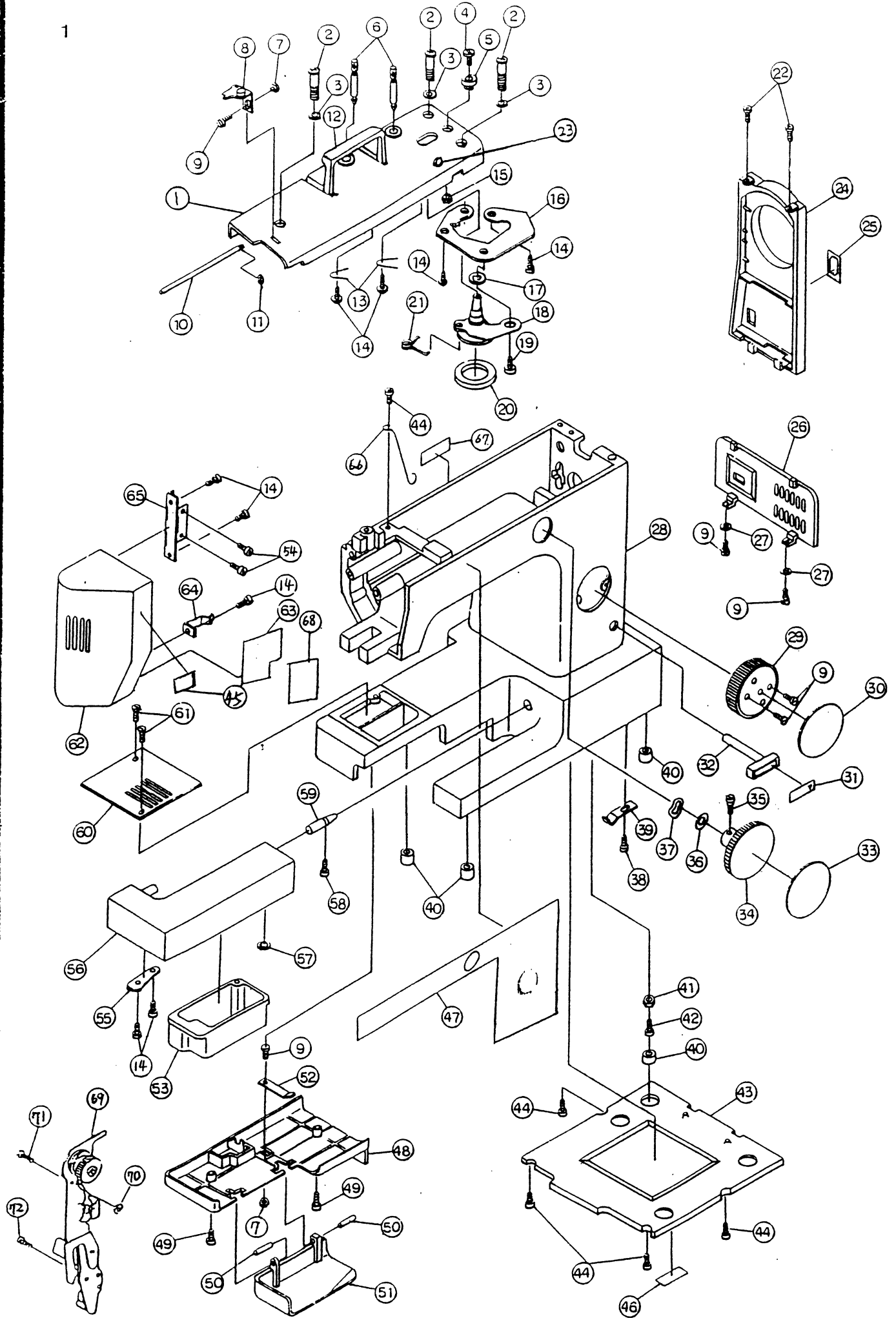


PARTS LIST

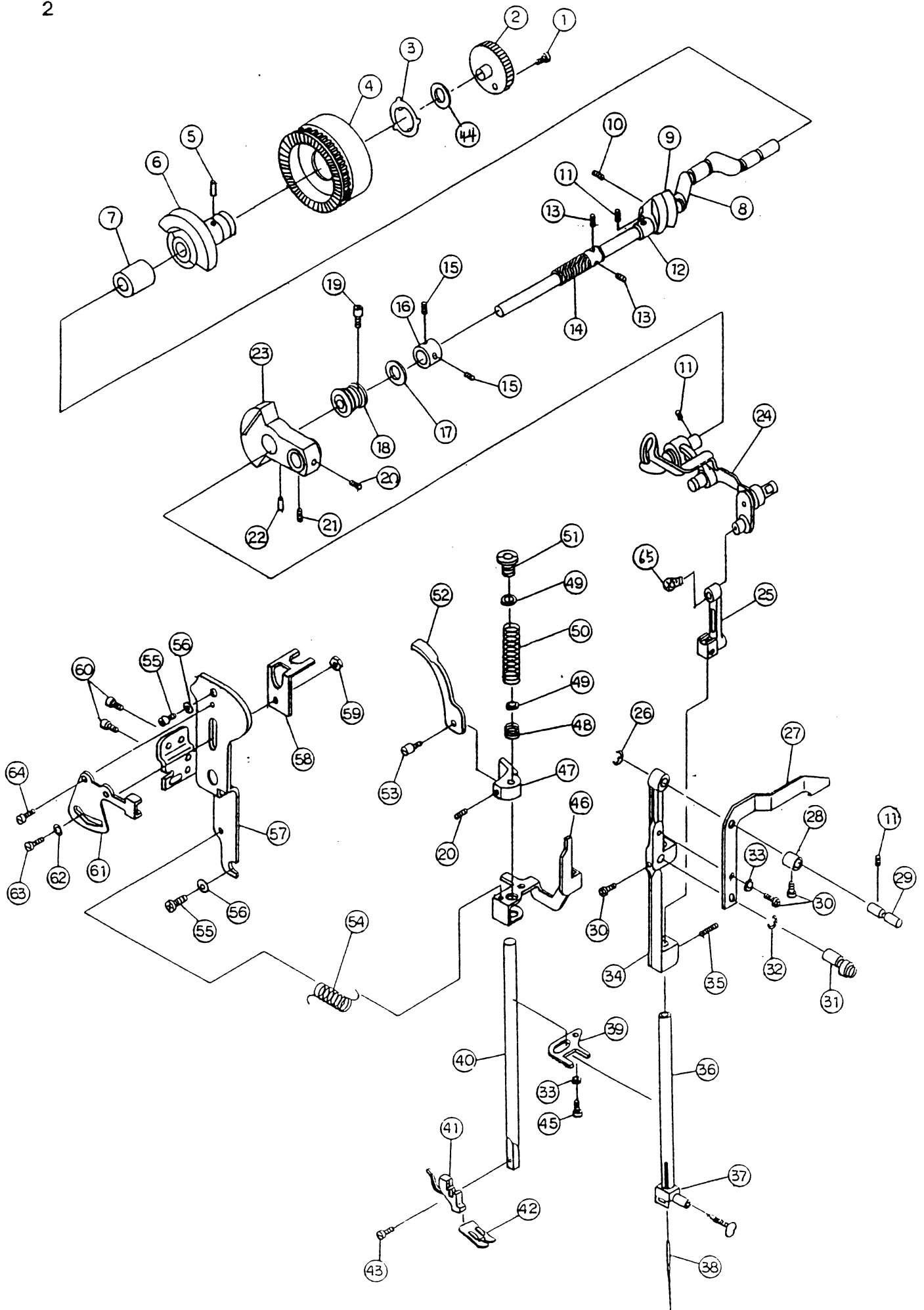
\*\*\*\*\*

MODEL: WHITE 1788

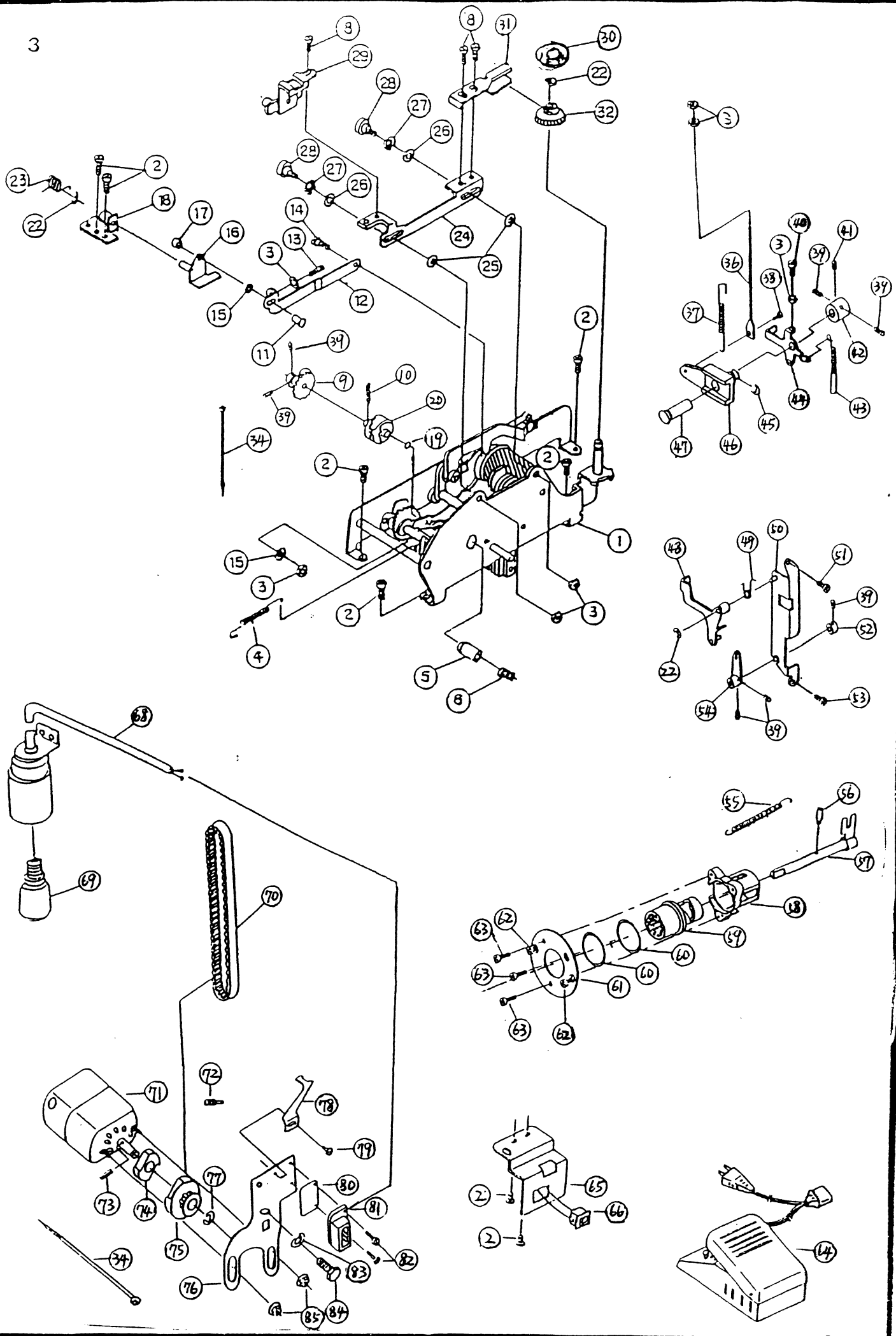
PRECISION MACHINE INC.



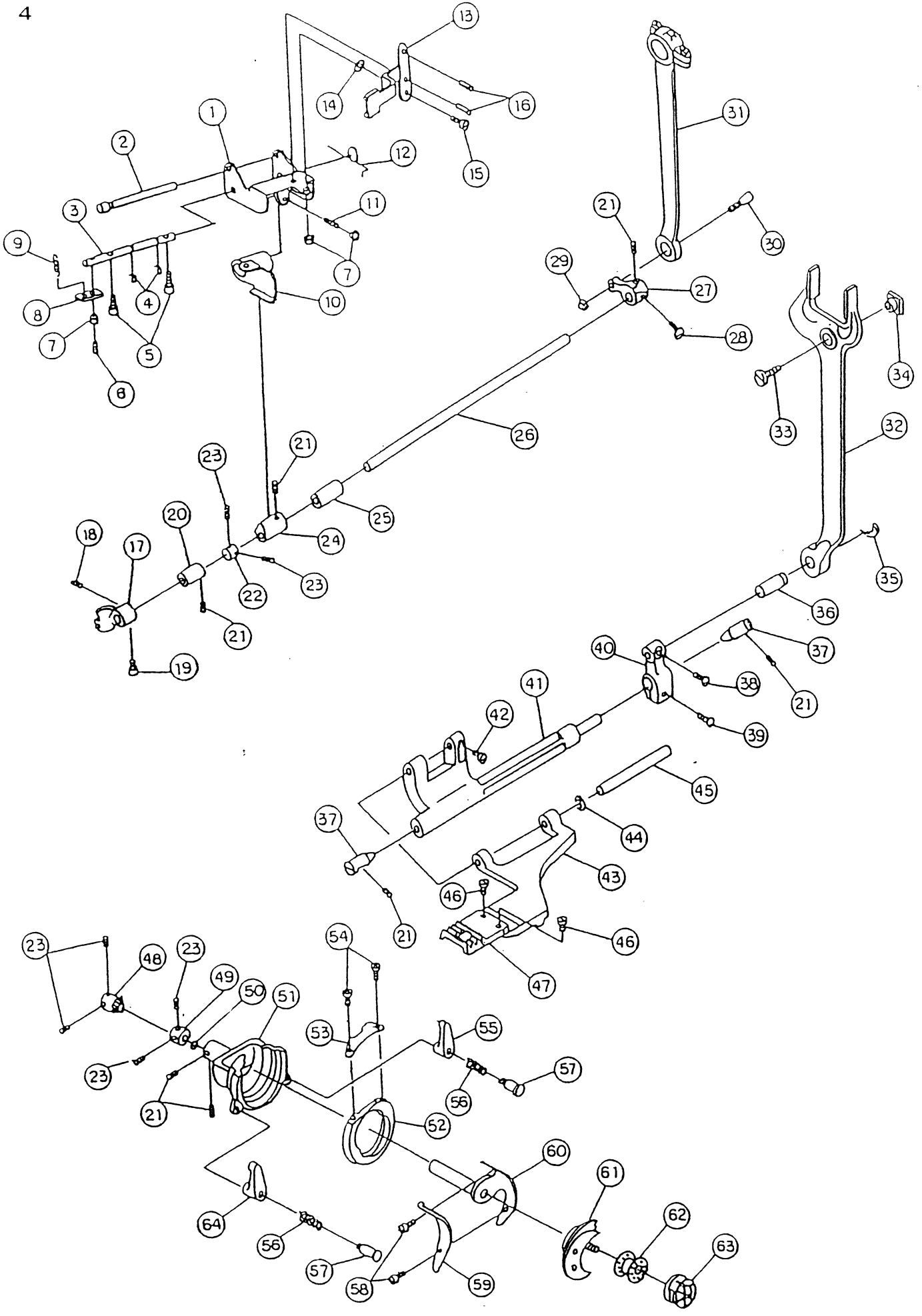
ref no.	sunbeen part no.	name of parts
01	360101214	TOP COVER
02	353121001	SET SCREW
03	353127007	WASHER
04	353128008	SET SCREW
05	380067002	BOBBIN WINDER STOPPER
06	301027005	SPOOL PIN A1
07	301151009	NUT
08	380501003	THREAD GUIDE
09	301016001	SET SCREW
10	353123003	HANDLE PIN
11	000000103	SNAP RING 3D
12	353004074	HANDLE
13	353122002	SPOOL PIN SPRING
14	000011912	SET SCREW
15	301193003	NUT
16	353124004	BOBBIN WINDER SUPPORTING PLATE
17	370069003	WASHER 5.1*18 t=0.5
18	360501001	BOBBIN WINDER COMP
19	353125005	HINGED SCREW
20	353030002	RUBBER RING
21	353126006	BOBBIN WINDER SPGING C
22	250087002	SET SCREW
23	250125003	ADJUSTING HOLE PLUG
24	301007065	BELT COVER
25	350002305	RECEPTACLE PANEL
26	351013139	MOTOR COVER
27	301009001	WASHER
28	360630000	ARM/BED
29	360149030	STITCH LENGTH DIAL
30	360162017	INDICATED PLATE
31	360036066	REVERSE BUTTON PANEL
32	360032028	REVERSE BUTTON
33	360161016	INDICATED PLATE
34	370078050	SELECT DIAL
35	370048006	HINGED SCREW
36	301159007	WASHER
37	301247003	WAVE WASHER
38	301185002	SET SCREW
39	370081001	SPRING
40	351012002	RUBBER
41	351011001	NUT
42	351010000	ADJUSTING SCREW
43	351009006	BASE PLATE
44	301037008	SET SCREW
45	360165102	FACE COVER PANEL
46	303075004	MACHINE NUMBER STICKER
47	360163100	ARM PANEL
48	351006106	BOTTOM COVER
49	301143008	SET SCREW
50	000003405	SPRING PIN 3*18
51	351007107	SHUTTLE RACE COVER
52	351008005	SPRING PLATE
53	351058022	ACCESSORIES CASE
54	301008000	SET SCREW
55	370085005	ACCESSORIES CASE BRACKET
56	351057021	EXTENSION TABLE
57	000012005	SNAP RING 3D
58	356017002	SET SCREW
59	351003000	EXTENSION TABEL PIN
60	370035000	NEEDLE PLATE
61	301261003	SET SCREW
62	360158010	FACE PLATE
63	270092002	FACE PLATE HEAT-SHIELD PLATE
64	301036007	FACE PLATE SPRING
65	380502004	FACE PLATE HINGE
66	360055005	LAMP WIRE SETTER
67	360215005	ELECTRIC RATING PLATE
68	250083008	FACE PLATE HEAT-SHIELD PLATE
69	360506110	TENSION DIAL COMP
70	370034009	GASKET RING
71	370033008	SET SCREW
72	301165006	SET SCREW



ref no.	sunbeen part no.	name of parts
01	301097034	SET SCREW
02	301097040	STOP MOTION LARGE SCREW
03	301096005	STOP MOTION WASHER
04	301540078	WHEEL COMP
05	000003405	SPRING PIN 3*18
06	353025004	HAND WHEEL BUSHING
07	301006008	REAR BUSHING
08	370037002	UPPER SHAFT
09	370038003	FEED CAM
10	370039004	SET SCREW
11	301046000	SET SCREW
13	301093002	UPPER SHAFT SET SCREW
14	303001009	UPPER SHAFT WORM GEAR
15	301087003	SET SCREW
16	301340007	COLLAR
17	301086002	NYION WASHER
18	301088004	FRONT BUSHING
19	301092001	SET SCREW
20	301068008	SET SCREW
21	301084000	SET SCREW
22	000003508	SPRING PIN 4*20
23	301083009	THREAD TAKE-UP CRANK
24	301544003	TAKE-UP LEVER CAM
25	301503000	NEEDLE HOLDER
26	000000309	SNAP RING 5D
27	301043007	ZIGZAG DRIVING PLATE
28	301250009	COLLAR
29	301042006	NEEDLE BAR SUPPORTER SHAFT
30	301016001	SET SCREW
31	301045009	ECCENTRIC PIN
32	000000206	SNAP RING 4D
33	301245001	WASHER
34	301041005	NEEDLE BAR SUPPORTER
35	301047001	SPRING
36	260042006	NEEDLE BAR
37	260502009	NEEDLE CLAMP COMP
38	301244000	NEEDLE
39	301048002	NEEDLE BAR SUPPORTER STOPPER
40	301061001	PRESSER BAR
41	301522005	PRESSER FOOT HOLDER
42	353012008	Z/Z PRESSER FOOT
43	301071004	SET SCREW
44	250076008	WASHER
45	301049003	SET SCREW
46	370036001	TENSION RELEASE LEVER *A
47	301252001	GUIDE BRACKET
48	301065005	SPRING
49	301066006	WASHER
50	370012001	PRESSURE BAR SPRING
51	370013002	PRESSURE COLLAR
52	370154006	PRESSER BAR LIFTER
53	301070003	HINGED SCREW
54	370147006	SPRING
55	301037008	SET SCREW
56	301257006	WAVE WASHER
57	370015303	LIGHT CORD SETTING PLATE
58	370016005	PRESSURE PLATE
59	301151009	NUT
60	301234007	SET SCREW
61	370017006	PRESSURE ADJUSTING PLATE
62	370099002	WASHER 5.2*11.5 t=.8
63	370018007	SET SCREW
64	301201005	SET SCREW
65	301100003	SET SCREW



ref no.	sunbean part no.	name of parts
01	360632002	PATTERN CAM COMP
02	301008000	SET SCREW
03	301151009	NUT
04	250042005	ZIGZAG DRIVING SPRING
05	303023007	ANGLE INDEX PIN
06	303022006	SPRING
08	301185002	SET SCREW
09	303050003	STITCH SELECTOR CAM
10	000003601	SPRING PIN 2*12
11	301212009	RIVETING PIN
12	303005003	ZIGZAG CONNECTING ROD
13	301196006	SET SCREW
14	301218005	HINGED SCREW
15	301245001	WASHER
16	354004000	ZIGZAG CONNECTING CRANK
17	301213000	SLIDE BLOCK
18	380056008	ZIGZAG MECHANISM
19	360077003	WASHER
20	303049009	PATTERN SELECTOR CAM
22	000000206	SNAP RING 4D
23	301215002	SPRING
24	260019004	ZIGZAG ADJUSTING ROD
25	370152004	7.5*12 t=0.5 WASHER
26	260022000	WASHER
27	370086006	WAVE WASHER
28	260021009	HINGED SCREW
29	260601009	ZERO ADJUSTING CRANK COMP
30	380075003	ZIGZAG DIAL INDICATED PLATE
31	230020108	ZIGZAG ADJUSTING ROD (2)
32	380065000	ZIGZAG WIDTH DIAL
36	303002000	STRETCH STITCH ROD
37	301155003	SPRING
38	301154002	HINGED SCREW
39	301046000	SET SCREW
40	301289007	SET SCREW
41	301087003	SET SCREW
42	301153001	COLLAR
43	303003001	SPRING
44	360064007	ADJUSTING PLATE
45	000000505	SNAP RING 9D
46	301148003	FEED REGULATOR
47	301152000	FEED REGULATOR SHAFT
48	360067000	REVERSE BUTTON CONNECTING CRANK B
49	360068001	REVERSE BUTTON SPRING
50	360065008	REVERSE BUTTON SUPPORTING PLATE
51	355007006	SET SCREW
52	360018006	COLLAR 5*12 t=6.5
53	301143008	SET SCREW
54	360066009	REVERSE BUTTON CONNECTING CRANK A
55	355033001	REVERSE BUTTON SPRING
56	301162003	LEAD SHAFT PIN
57	303068004	LEAD SHAFT
58	303061007	STITCH LENGTH CAM SEAT
59	303060006	STITCH LENGTH CAM
60	303072001	WAVE WASHER
61	303059002	STITCH LENGTH SEAT PLATE
62	301165006	SET SCREW
63	000011233	SET SCREW
64	250820005	FOOT CONTROLLER COMP
65	370098104	SWITCH FIXED PLATE
66	370811008	BULB SWITCH
68	370807001	LIGHT CORD
69	301802105	LIGHT BULB
70	301285003	BELT
71	250819104	MOTOR COMP
72	301354004	CONNECTOR
73	000003807	SPRING PIN 2*14
74	301294005	MOTOR CLUTH
75	301530006	MOTOR PULLEY COMP
76	301346209	MOTOR BRACKET
77	000000103	SNAP RING 3D
78	301256005	LIGHT CORD BRACKET B
79	301341008	SET SCREW
80	301302007	INSULATED PLATE
81	301301006	RECEPTACLE
82	351032008	SET SCREW
83	301246002	SPRING WASHER
84	301239002	SET SCREW
85	351046005	SET SCREW





ref no.	sunbeen part no.	name of parts
01	301307002	DROP FEED CRANK BODY
02	301310008	DROP FEED ADJUSTING SHAFT
03	260039000	DROP FEED SHAFT
04	000000309	SNAP RING 5D
05	250010004	SET SCREW
06	301196006	SET SCREW
07	301151009	NUT
08	301197007	SPRING HOLDER
09	301181008	FEED DOG BASE SPRING
10	301308003	DROP FEED STOPPING PLATE
11	370041009	SET SCREW
12	301195005	SPRING
13	260043007	DROP FEED DRIVING ROD
14	370086006	WAVE WASHER
15	355010002	HINGED SCREW
16	000003209	SPRING PIN 2.5*6
17	301113009	OSCILLATING SHAFT GEAR
18	301115001	SET SCREW
19	301114000	SET SCREW
20	301110006	LOWER SHAFT FRONT BUSHING
21	301087003	SET SCREW
22	301112008	COLLAR
23	301046000	SET SCREW
24	301182009	FEED LIFTING CAM
25	301111007	LOWER SHAFT REAR BUSHING
26	301109002	LOWER SHAFT
27	353014000	LOWER SHAFT BRACKET
28	353015001	SET SCREW
29	301107000	NUT
30	301106009	TAPER SCREW
31	301512002	CRANK ROD COMP
32	301145000	FORKED ROD
33	301146001	SET SCREW
34	301147002	FORKED ROD SLIDE BLOCK
35	000000402	SNAP RING 6D
36	301179003	CONNECTING PIN
37	301241007	CENTER PIN B
38	301178002	SET SCREW
39	301177001	SET SCREW
40	301176000	FEED ROCK SHAFT CRANK
41	301171005	FEED ROCK SHAFT
42	301131003	SET SCREW
43	301172006	FEED DOG BASE
44	000000206	SNAP RING 4D
45	301173007	FEED DOG BASE SHAFT
46	301175009	SET SCREW
47	301174008	FEED DOG
48	301130105	BEVEL GEAR
49	301129008	RING
50	301128007	NYLON WASHER
51	301328009	HOOK RACE BODY
52	301313001	HOOK RACE RING
53	301312000	COP SPRING
54	301123002	SET SCREW
55	301118004	CLASP(RIGHT)
56	301120009	CLASP SPRING
57	301121000	HINGED SCREW
58	301127005	SET SCREW 30
59	301126005	HOOK DRIVER SPRING
60	301124003	HOOK DRIVER SHAFT
61	301132004	HOOK PANEL
62	301141006	BOBBIN
63	301515005	BOBBIN CASE COMP
64	301119005	CLASP(LEFT)