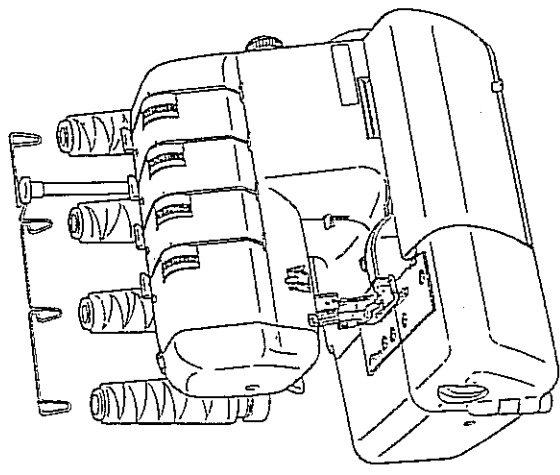



REFER TO IMPORTANT NOTICE BELOW

# PARTS LIST FOR Model SUPERLOCK 2000



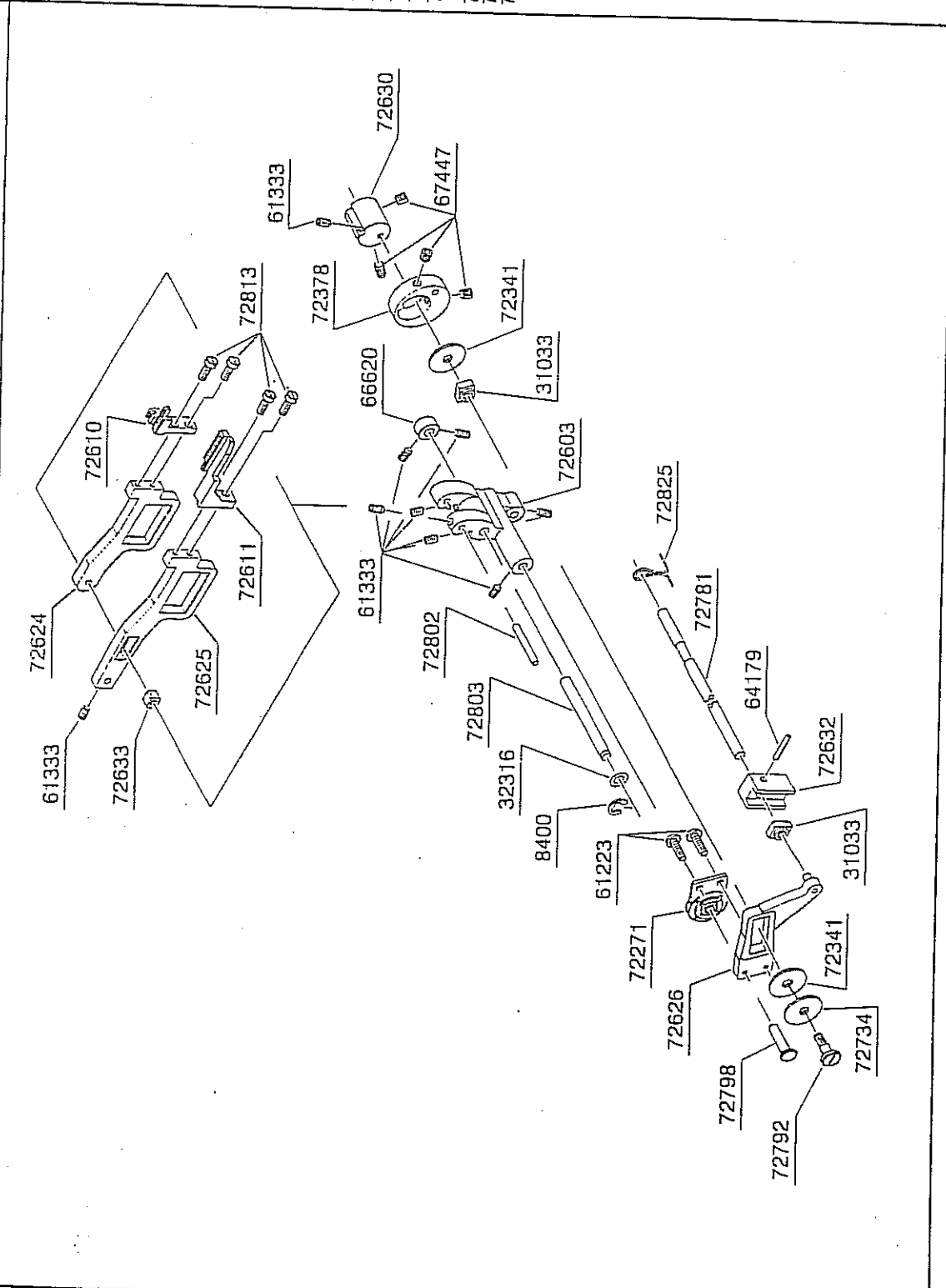
**IMPORTANT:**  
 WHEN ORDERING THE PARTS  
 ALWAYS CHECK THE SERIAL  
 NUMBER OF THE MACHINE.  
 FIRST DIGIT OF THE SERIAL  
 NUMBER MUST MATCH WITH THE  
 LAST DIGIT OF THE FACTORY  
 MODEL ABOVE.

 LISTED SEWING MACHINE E455	120V 1.3A 60Hz	MADE IN CHINA
	2000	0 X X X X X X X
MODEL-MODELE SERIAL NO. DE SÉRIE		FIRST DIGIT

# WHITE

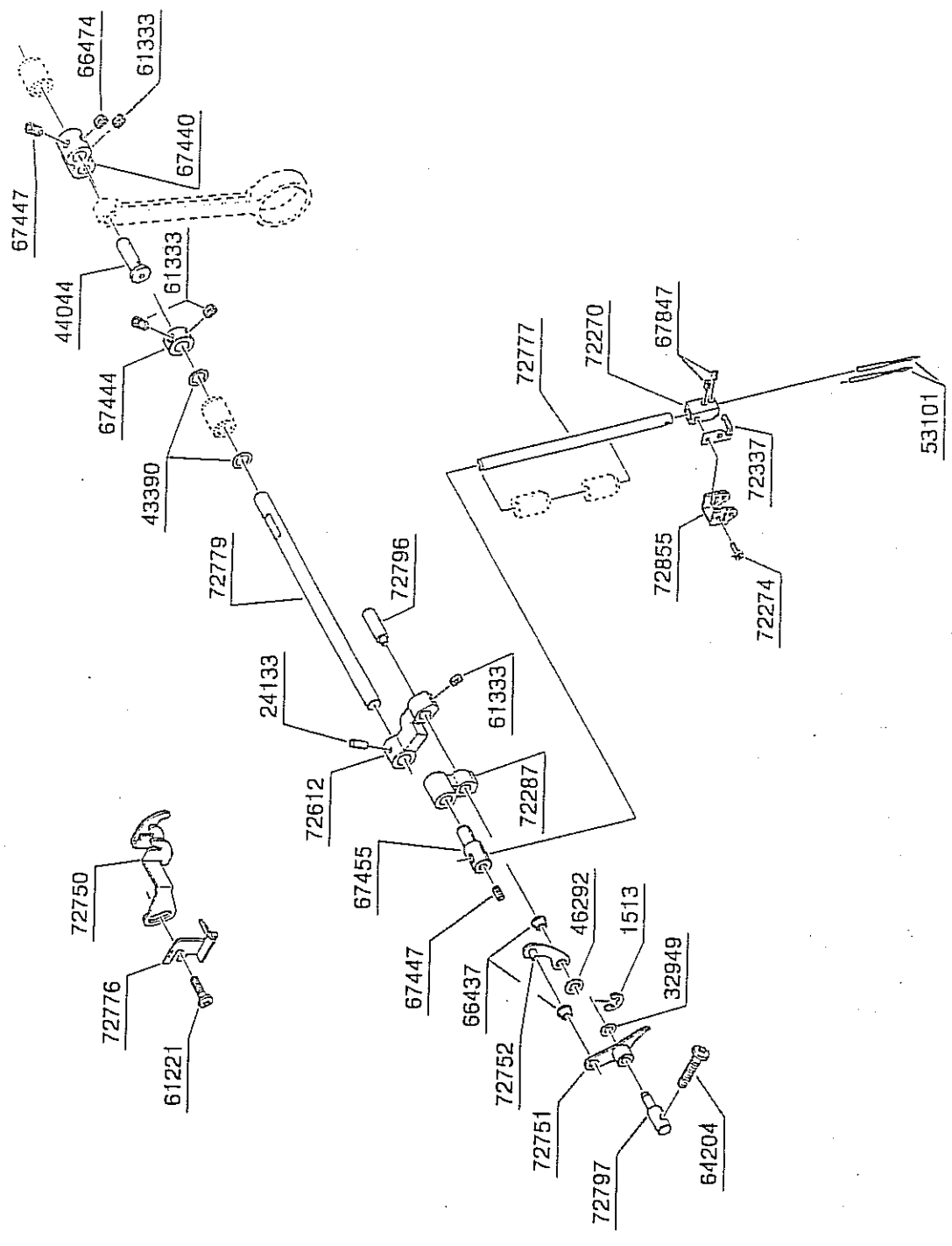
BUYER'S MODEL NO.		2000	SECTION	PAGE	REVISION	REMARKS	DESCRIPTION																																																												
BUYER'S MODEL NAME		SUPERLOCK 2000		1																																																															
FACTORY MODEL		CA·CN087W0																																																																	
ORIGINAL ISSUE		February, 1995	SERIAL NO.																																																																
							<table border="1"> <thead> <tr> <th>PART NO.</th> <th>DESCRIPTION</th> </tr> </thead> <tbody> <tr><td>43389</td><td>THRUST WASHER</td></tr> <tr><td>44066</td><td>SPRING PIN</td></tr> <tr><td>57746</td><td>TAPPING SCREW</td></tr> <tr><td>61223</td><td>M4 PHILIPS SCREW</td></tr> <tr><td>61333</td><td>M4 SCREW</td></tr> <tr><td>65569</td><td>TAPPING SCREW</td></tr> <tr><td>66474</td><td>M5 SCREW</td></tr> <tr><td>67447</td><td>M5 SCREW</td></tr> <tr><td>72214</td><td>SPRING WASHER</td></tr> <tr><td>72271</td><td>BALL JOINT</td></tr> <tr><td>72622</td><td>CRANK ROD</td></tr> <tr><td>72623</td><td>ECCENTRIC CAM</td></tr> <tr><td>72629</td><td>SLIDE BLOCK</td></tr> <tr><td>72631</td><td>ECCENTRIC CAM</td></tr> <tr><td>72634</td><td>CRANK ROD</td></tr> <tr><td>72635</td><td>ECCENTRIC CAM</td></tr> <tr><td>72636</td><td>CONNECTING ROD END</td></tr> <tr><td>72637</td><td>ECCENTRIC CAM</td></tr> <tr><td>72638</td><td>ECCENTRIC CAM</td></tr> <tr><td>72641</td><td>LOOPER DRIVING ARM</td></tr> <tr><td>72647</td><td>BALANCE WEIGHT</td></tr> <tr><td>72666</td><td>HAND WHEEL</td></tr> <tr><td>72667</td><td>BELT PULLEY</td></tr> <tr><td>72679</td><td>NYLON WASHER</td></tr> <tr><td>72780</td><td>MAIN SHAFT</td></tr> <tr><td>72788</td><td>M4 STUD SCREW</td></tr> <tr><td>72806</td><td>M5 SCREW</td></tr> <tr><td>72858</td><td>WASHER</td></tr> <tr><td>73472</td><td>COLLAR</td></tr> </tbody> </table>	PART NO.	DESCRIPTION	43389	THRUST WASHER	44066	SPRING PIN	57746	TAPPING SCREW	61223	M4 PHILIPS SCREW	61333	M4 SCREW	65569	TAPPING SCREW	66474	M5 SCREW	67447	M5 SCREW	72214	SPRING WASHER	72271	BALL JOINT	72622	CRANK ROD	72623	ECCENTRIC CAM	72629	SLIDE BLOCK	72631	ECCENTRIC CAM	72634	CRANK ROD	72635	ECCENTRIC CAM	72636	CONNECTING ROD END	72637	ECCENTRIC CAM	72638	ECCENTRIC CAM	72641	LOOPER DRIVING ARM	72647	BALANCE WEIGHT	72666	HAND WHEEL	72667	BELT PULLEY	72679	NYLON WASHER	72780	MAIN SHAFT	72788	M4 STUD SCREW	72806	M5 SCREW	72858	WASHER	73472	COLLAR
PART NO.	DESCRIPTION																																																																		
43389	THRUST WASHER																																																																		
44066	SPRING PIN																																																																		
57746	TAPPING SCREW																																																																		
61223	M4 PHILIPS SCREW																																																																		
61333	M4 SCREW																																																																		
65569	TAPPING SCREW																																																																		
66474	M5 SCREW																																																																		
67447	M5 SCREW																																																																		
72214	SPRING WASHER																																																																		
72271	BALL JOINT																																																																		
72622	CRANK ROD																																																																		
72623	ECCENTRIC CAM																																																																		
72629	SLIDE BLOCK																																																																		
72631	ECCENTRIC CAM																																																																		
72634	CRANK ROD																																																																		
72635	ECCENTRIC CAM																																																																		
72636	CONNECTING ROD END																																																																		
72637	ECCENTRIC CAM																																																																		
72638	ECCENTRIC CAM																																																																		
72641	LOOPER DRIVING ARM																																																																		
72647	BALANCE WEIGHT																																																																		
72666	HAND WHEEL																																																																		
72667	BELT PULLEY																																																																		
72679	NYLON WASHER																																																																		
72780	MAIN SHAFT																																																																		
72788	M4 STUD SCREW																																																																		
72806	M5 SCREW																																																																		
72858	WASHER																																																																		
73472	COLLAR																																																																		

BUYER'S MODEL NO.	2000	SECTION	PAGE	REVISION	REMARKS
BUYER'S MODEL NAME	SUPERLOCK 2000		2		
FACTORY MODEL	CA·CN087W0				
ORIGINAL ISSUE	February, 1995	SERIAL NO.			

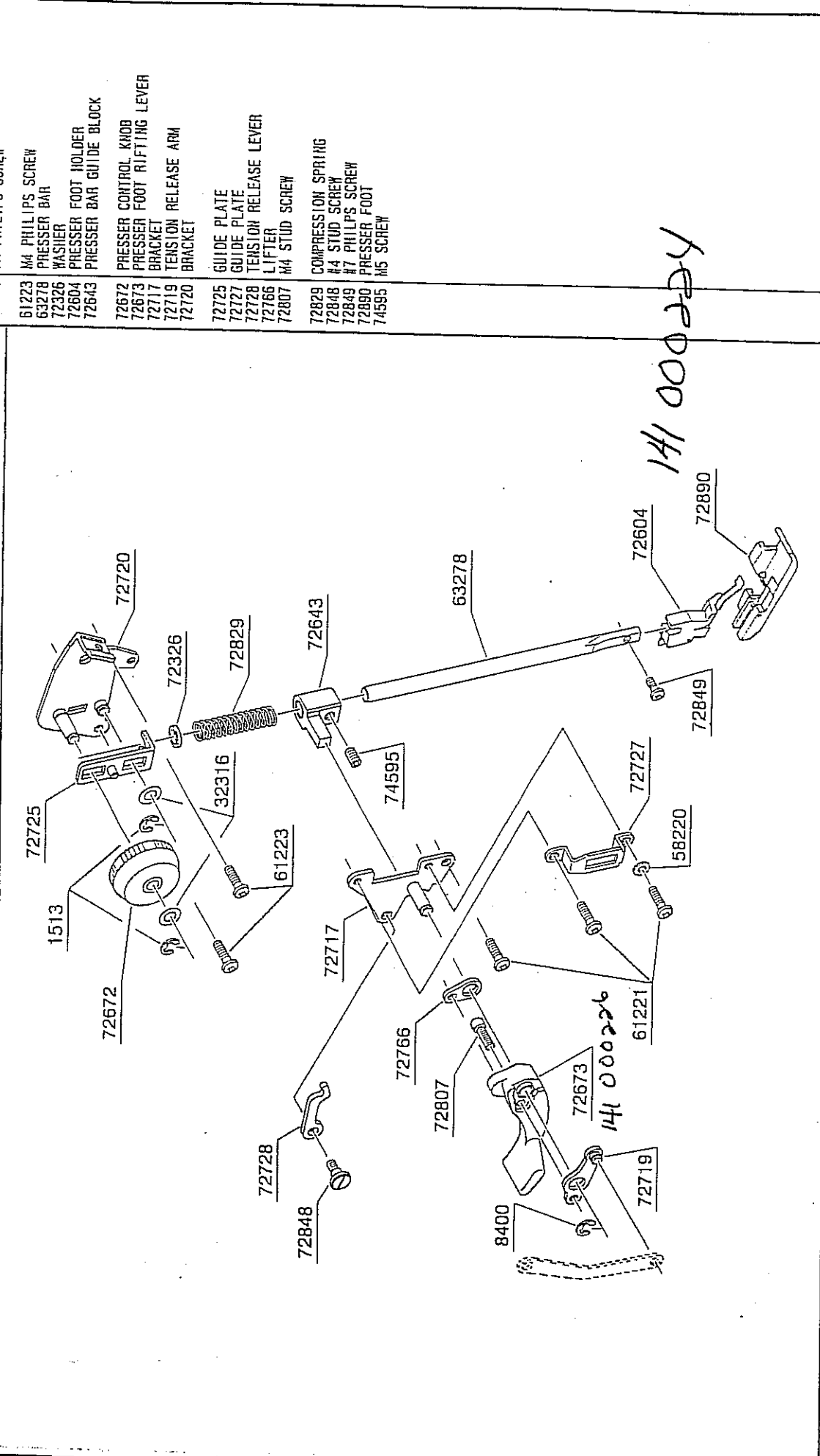


PART NO.	DESCRIPTION
8400	E5 CLIP-ON-WASHER
31033	SLIDE BLOCK
32316	WASHER
61223	M4 PHILIPS SCREW
61333	M4 SCREW
64179	SPRING PIN
66620	COLLAR
67447	M5 SCREW
72271	BALL JOINT
72341	THRUST WASHER
72378	BALANCE WEIGHT
72603	FEED ARM
72610	REAR FEED DOG
72611	FRONT FEED DOG
72624	FEED BASE
72625	D. F. FEED BASE
72626	FEED REGULATING ARM
72630	ECCENTRIC CAM
72632	FEED REGULATING BLOCK
72633	SLIDE BLOCK
72734	WASHER
72781	SHAFT
72792	PIN
72798	PIN
72802	SHAFT
72803	SHAFT
72813	M3.5 SCREW
72825	TORSION SPRING

BUYER'S MODEL NO. 2000					SECTION	PAGE	REVISION	REMARKS	PART NO.		DESCRIPTION
BUYER'S MODEL NAME SUPERLOCK 2000					-	3			1513	CLIP-ON-WASHER	
FACTORY MODEL C.A.CN087 W0									24133	PIPE KNOCK PIN	
ORIGINAL ISSUE February, 1995									32949	WASHER	
									43390	THRUST WASHER	
									44044	STUD	
									46292	CLIP-ON-WASHER	
									53101	NEEDLE	
									61221	M4 PHILIPPS SCREW	
									61333	M4 SCREW	
									64204	M4 PHILIPPS SCREW	
									66437	BUSH	
									66474	M5 SCREW	
									67440	CRANK-ROD ARM	
									67444	COLLAR	
									67447	M5 SCREW	
									67455	HOLDER	
									67847	#7 SCREW	
									72270	NEEDLE CLAMP	
									72274	M3 SCREW	
									72287	NEEDLE BAR CRANK	
									72337	THREAD GUIDE	
									72612	MAIN SHAFT ARM LEVER	
									72750	THREAD GUIDE	
									72751	OSCILLATING LEVER	
									72752	CONNECTING ARM	
									72776	THREAD GUIDE	
									72777	NEEDLE BAR	
									72779	UPPER SHAFT	
									72796	PIN	
									72797	CENTER PIN	
									72855	THREADER POSITIONER	



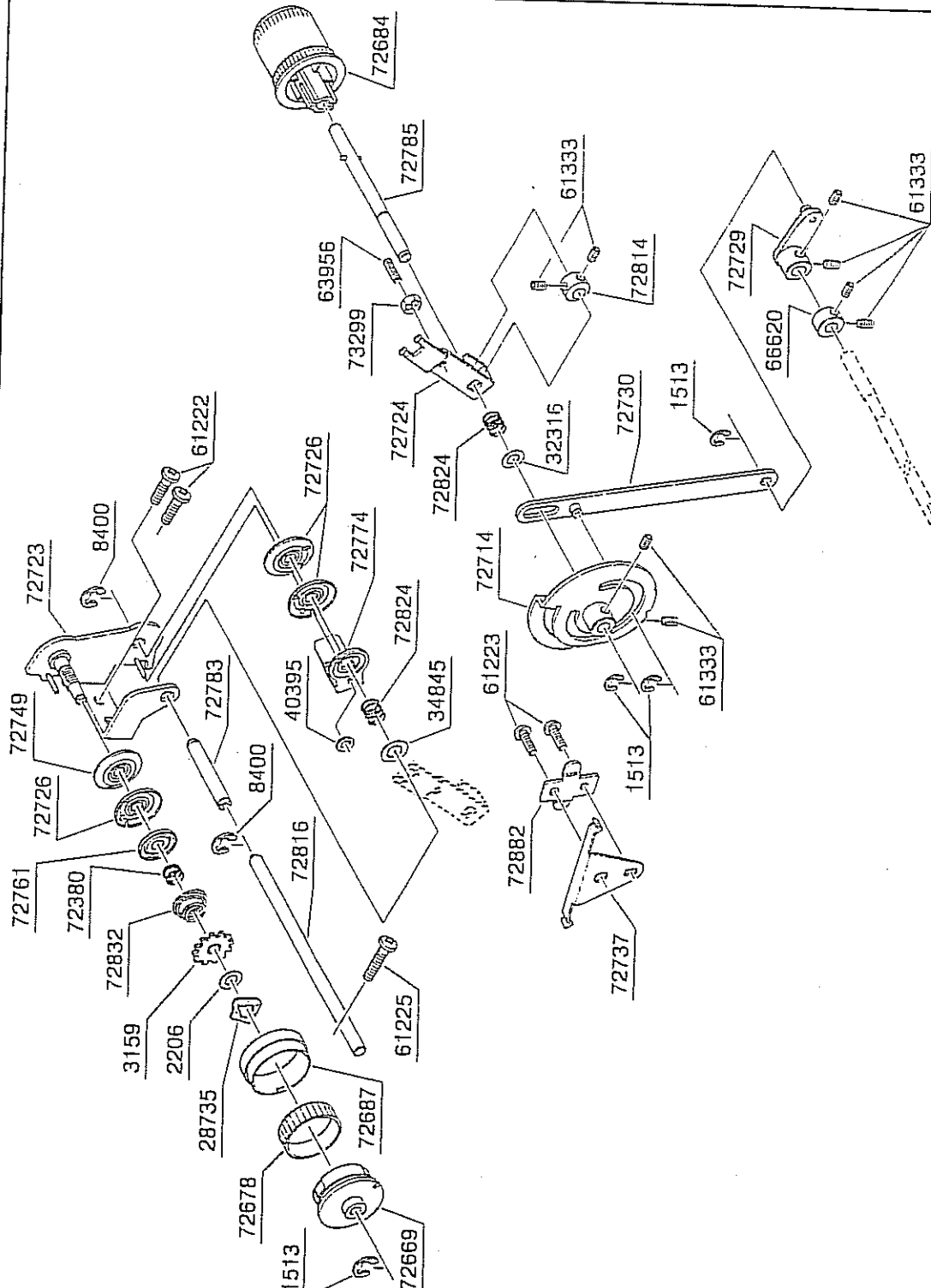
BUYER'S MODEL NO.	2000	SECTION	PAGE	REVISION	REMARKS
BUYER'S MODEL NAME	SUPERLOCK 2000	—	4		
FACTORY MODEL	CA·CN087W0	SERIAL NO.			
ORIGINAL ISSUE	February, 1995				



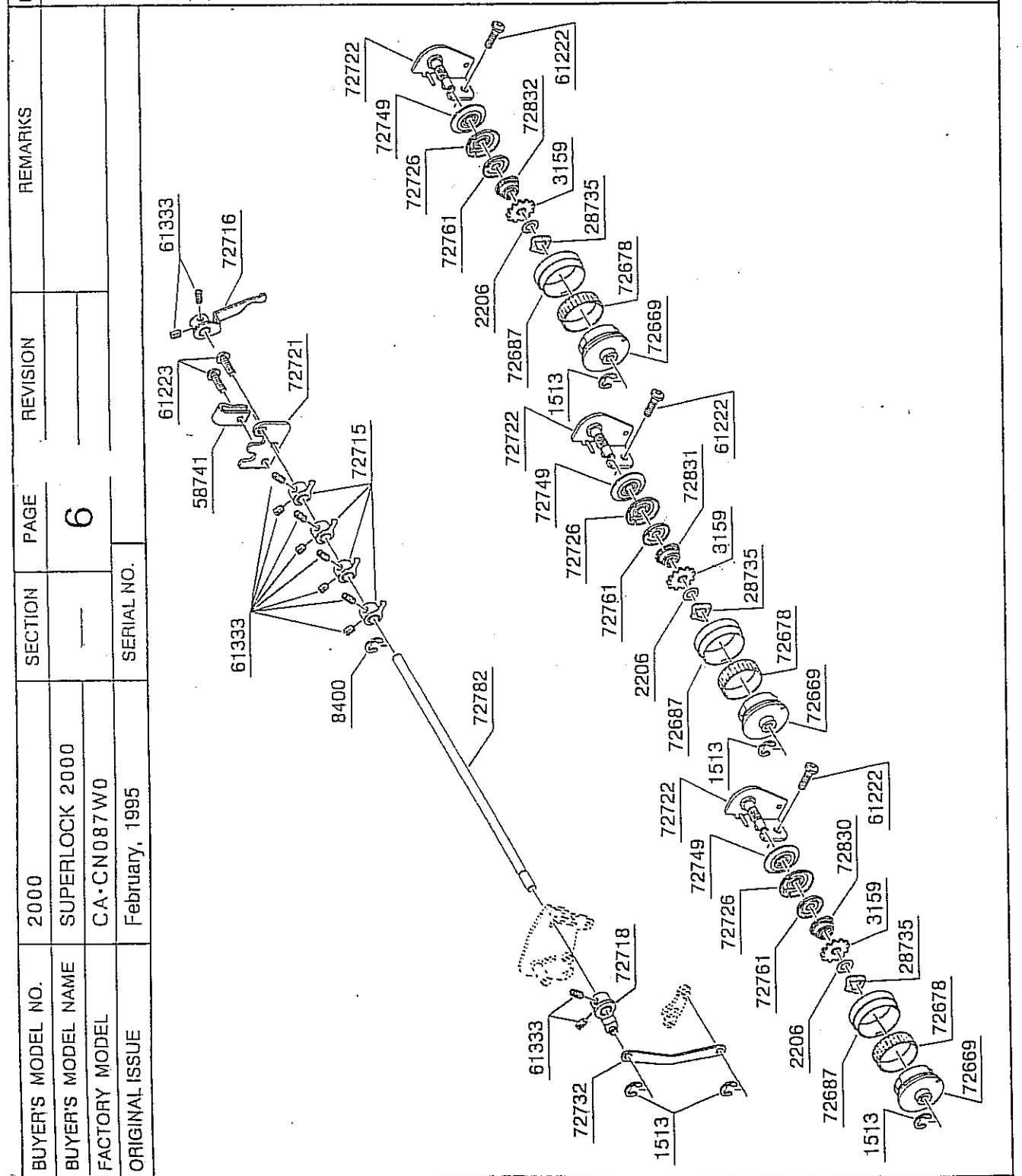
DESCRIPTION

PART NO.	DESCRIPTION
1513	E4 CLIP-ON-WASHER
8400	E5 CLIP-ON-WASHER
32316	WASHER
58220	WASHER
61221	M4 PHILLIPS SCREW
61223	M4 PHILLIPS SCREW
63278	PRESSER BAR
72326	WASHER
72604	PRESSER FOOT HOLDER
72643	PRESSER BAR GUIDE BLOCK
72672	PRESSER CONTROL KNOB
72673	PRESSER FOOT RIFTING LEVER
72717	BRACKET
72719	TENSION RELEASE ARM
72720	BRACKET
72725	GUIDE PLATE
72727	GUIDE PLATE
72728	TENSION RELEASE LEVER
72766	LIFTER
72807	M4 STUD SCREW
72829	COMPRESSION SPRING
72848	#4 STUD SCREW
72849	#7 PHILLIPS SCREW
72890	PRESSER FOOT
74595	M5 SCREW

BUYER'S MODEL NO.		2000	SECTION	PAGE	REVISION	REMARKS
BUYER'S MODEL NAME		SUPERLOCK 2000		5		
FACTORY MODEL		CA·CN087W0				
ORIGINAL ISSUE		February, 1995	SERIAL NO.			
1513	E4 CLIP-ON-WASHER					
2206	WASHER					
3159	TOOTHED WASHER					
8400	E5 CLIP-ON-WASHER					
28735	CRINKLE WASHER					
32316	WASHER					
34845	WASHER					
40395	CLIP-ON-WASHER					
61222	M4 PHILIPS SCREW					
61223	M4 PHILIPS SCREW					
61225	M4 PHILIPS SCREW					
61333	M4 SCREW					
63956	M4 SCREW					
66620	COLLAR					
72380	COMPRESSION SPRING					
72669	THREAD TENSION DIAL					
72678	RUBBER					
72684	STITCH LENGTH CONTROL DIAL					
72687	THREAD TENSION RING					
72714	STITCH LENGTH CONTROL CAM					
72723	BRACKET					
72724	TENSION DISC PRESSURE					
72726	DIAL TENSION DISC (B)					
72729	STITCH LENGTH CONTROL ARM					
72730	CONNECTING PLATE					
72737	LEAF SPRING					
72749	DIAL TENSION DISC (A)					
72761	PRESSER DISC					
72774	PRESSER PLATE					
72783	SHAFT					
72785	SHAFT					
72814	COLLAR					
72816	SHAFT					
72824	COMPRESSION SPRING					
72832	COMPRESSION SPRING					
72882	STOPPER					
73299	M4 TORQUE NUT					

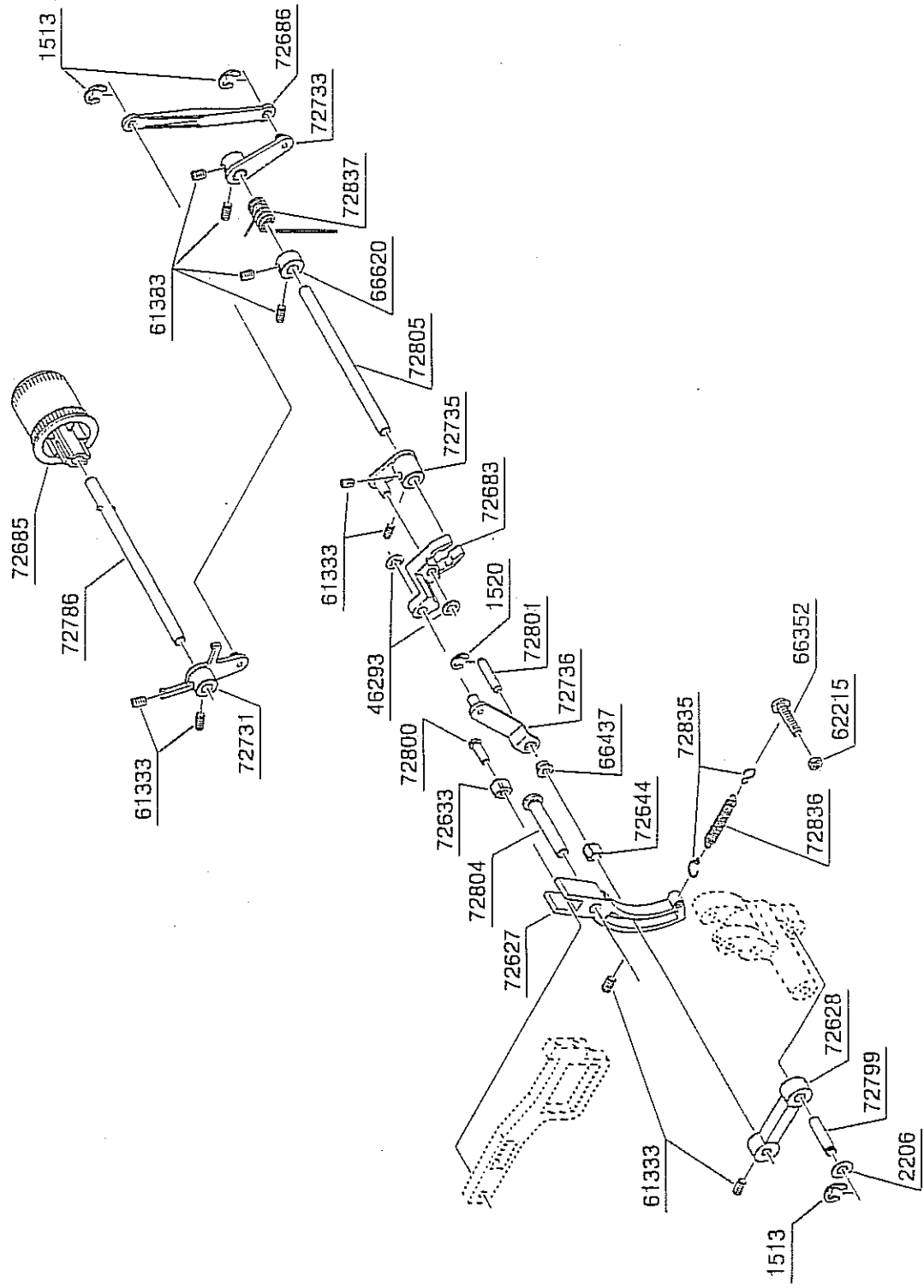


PART NO.	DESCRIPTION
1513	E4 CLIP-ON-WASHER
2206	WASHER
3159	TOOTHED WASHER
8400	E5 CLIP-ON-WASHER
28735	CRINKLE WASHER
58741	COND GUARD
61222	M4 PHIL IPS SCREW
61223	M4 PHILIPS SCREW
61333	M4 SCREW
72669	THREAD TENSION DIAL
72678	RUBBER
72687	THREAD TENSION RING
72715	TENSION RELEASE PLATE (A)
72716	TENSION RELEASE PLATE (B)
72718	TENSION RELEASE ARM
72721	TENSION RELEASE GUIDE
72722	BRACKET
72726	DIAL TENSION DISC (B)
72732	TENSION RELEASE LINK
72749	DIAL TENSION DISC (A)
72761	PRESSER DISC
72782	SHAFT
72830	COMPRESSION SPRING
72831	COMPRESSION SPRING
72832	COMPRESSION SPRING



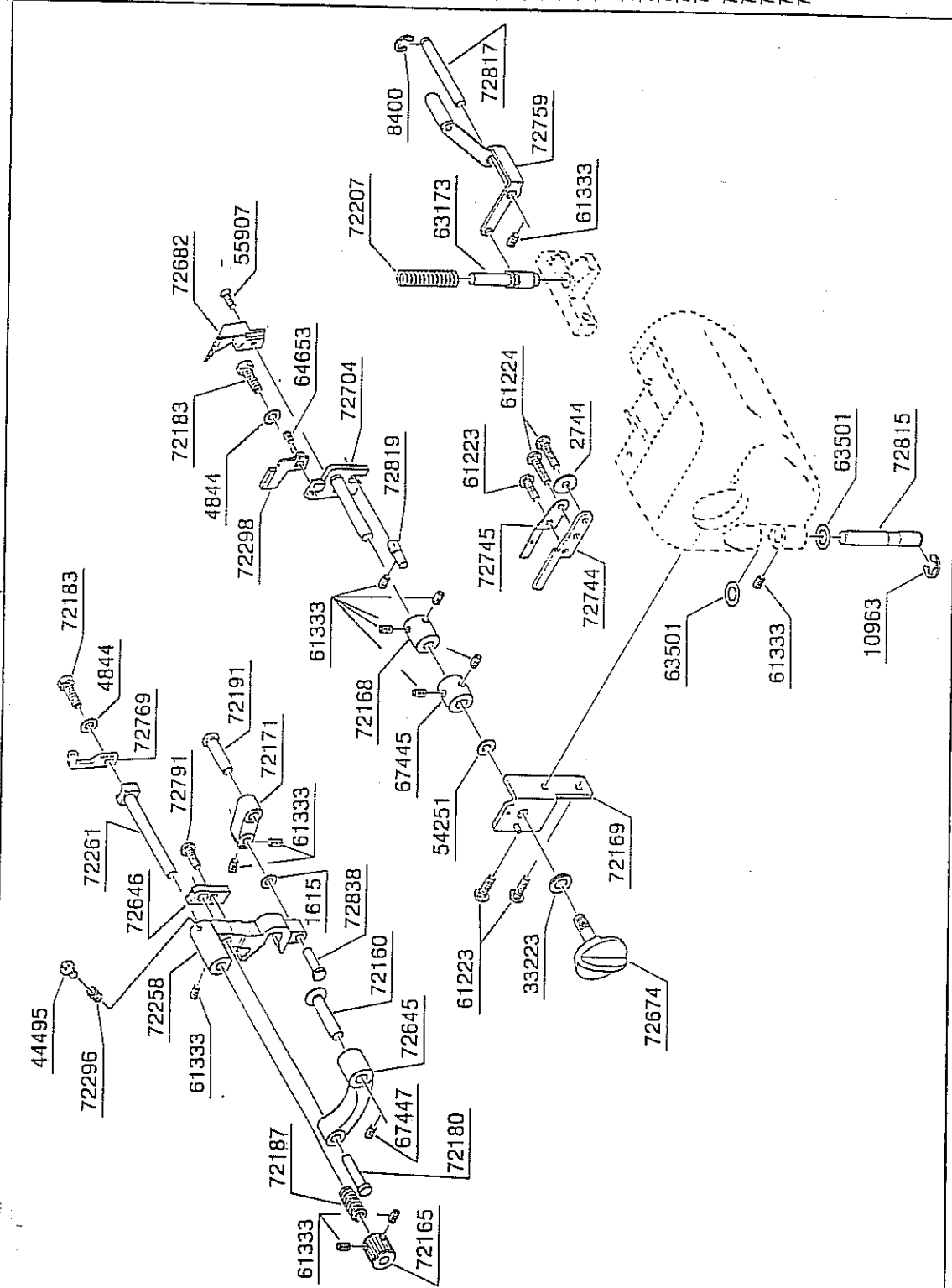
BUYER'S MODEL NO.	2000	SECTION	PAGE	REVISION	REMARKS
BUYER'S MODEL NAME	SUPERLOCK 2000		6		
FACTORY MODEL	CA-CN087WD				
ORIGINAL ISSUE	February, 1995				
SERIAL NO.					

BUYER'S MODEL NO.	2000	SECTION	PAGE	REVISION	REMARKS	PART NO.	DESCRIPTION
BUYER'S MODEL NAME	SUPERLOCK 2000		7			1513	E4 CLIP-ON-WASHER
FACTORY MODEL	CA·CN087W0					1520	E3 CLIP-ON-WASHER WASHER
ORIGINAL ISSUE	February, 1995					2206	CLIP-ON-WASHER M4 SCREW
						46293	M4 NUT
						61333	M4 PHILLIPS SCREW
						62215	BUSH
						66352	COLLAR
						66437	FEED CONTROL LOCKING ARM
						66620	D. F. LINK
						72627	SLIDE BLOCK
						72628	SLIDE BLOCK
						72633	D. F. ARM
						72644	D. F. DIAL
						72683	CONNECTING ROD
						72685	D. F. ARM (A)
						72686	D. F. ARM (C)
						72731	D. F. ARM (D)
						72733	CONNECTING PLATE
						72735	SHAFT
						72736	PIN
						72786	PIN
						72799	PIN
						72800	PIN
						72801	PIN
						72804	SHAFT
						72805	HOOK FOR SPRING
						72835	EXTENSION SPRING
						72836	TORSTON SPRING
						72837	



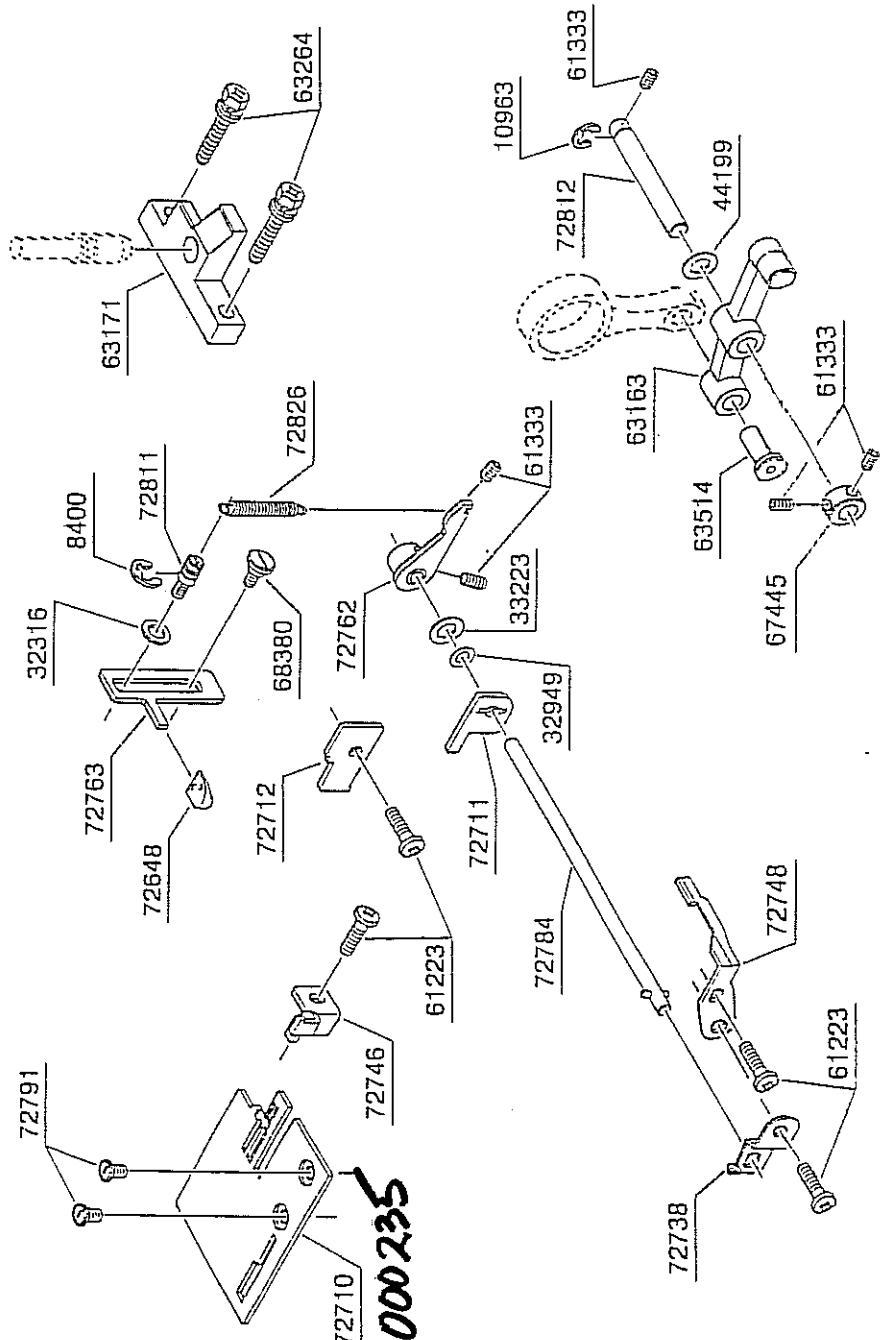


BUYER'S MODEL NO.	2000	SECTION	PAGE	REVISION	REMARKS
BUYER'S MODEL NAME	SUPERLOCK 2000		8		
FACTORY MODEL	CA-CN087W0				
ORIGINAL ISSUE	February, 1995	SERIAL NO.			



PART NO.	DESCRIPTION
1615	WASHER
2744	WASHER
4844	WASHER
8400	E5 CLIP-ON-WASHER
10963	E6 CLIP-ON-WASHER
33223	WASHER
44495	M3 PHILIPS SCREW
54251	THRUST WASHER
55907	M3 SCREW
61223	M4 PHILIPS SCREW
61224	M4 PHILIPS SCREW
61333	M4 SCREW
63173	PIN
63501	WASHER
64653	M3 SCREW
67445	COLLAR
67447	M5 SCREW
72160	STUD
72165	KNIFE RELEASE KNOB
72168	COLLAR
72169	KNOB MOUNTING BRACKET
72171	LINK (B)
72180	STUD
72183	M3.5 BOLT
72187	COMPRESSION SPRING
72191	STUD
72207	COMPRESSION SPRING
72258	DRIVING ARM
72261	SHAFT
72296	COMPRESSION SPRING
72298	LOWER KNIFE
72645	LINK
72646	POST LOWER
72674	CONTROL KNOB
72682	LOWER KNIFE COVER
72704	LOWER KNIFE HOLDER
72744	NEEDLE PLATE HOLDER
72745	LEAF SPRING
72759	LEVER
72769	UPPER KNIFE
72791	M4 SCREW
72815	SHAFT
72817	SHAFT
72819	HEXAGONAL PIN
72838	STUD

BUYER'S MODEL NO.	2000	SECTION	PAGE	REVISION	REMARKS	PART NO.	DESCRIPTION
BUYER'S MODEL NAME	SUPERLOCK 2000		9			8400	E5 CLIP-ON-WASHER
FACTORY MODEL	CA-CN087W0					10963	E6 CLIP-ON-WASHER
ORIGINAL ISSUE	February, 1995					32316	WASHER
		SERIAL NO.				32949	WASHER
						33223	WASHER
						44199	WASHER
						61223	M4 PHILLIPS SCREW
						61333	M4 SCREW
						63163	KNIFE LEVER ASSEMBLY
						63171	FIXING BASE
						63264	M5 BOLT WITH WASHER
						63514	STUD
						67445	COLLAR
						68380	M4 STUD SCREW
						72648	KNOB
						72710	NEEDLE PLATE
						72711	UPPER CUTTING BLADE
						72712	LOWER CUTTING BLADE
						72738	LEAF SPRING
						72746	NEEDLE PLATE HOLDER
						72748	NEEDLE RECEIVER (R)
						72762	THREAD CUTTER ARM
						72763	SLIDER
						72784	SHAFT
						72791	M4 SCREW
						72811	M4 STUD SCREW
						72812	SHAFT
						72826	EXTENSION SPRING



141 000235

BUYER'S MODEL NO.	2000	SECTION	PAGE	REVISION	REMARKS
BUYER'S MODEL NAME	SUPERLOCK 2000		10		
FACTORY MODEL	CA-CN087W0				
ORIGINAL ISSUE	February, 1995	SERIAL NO.			

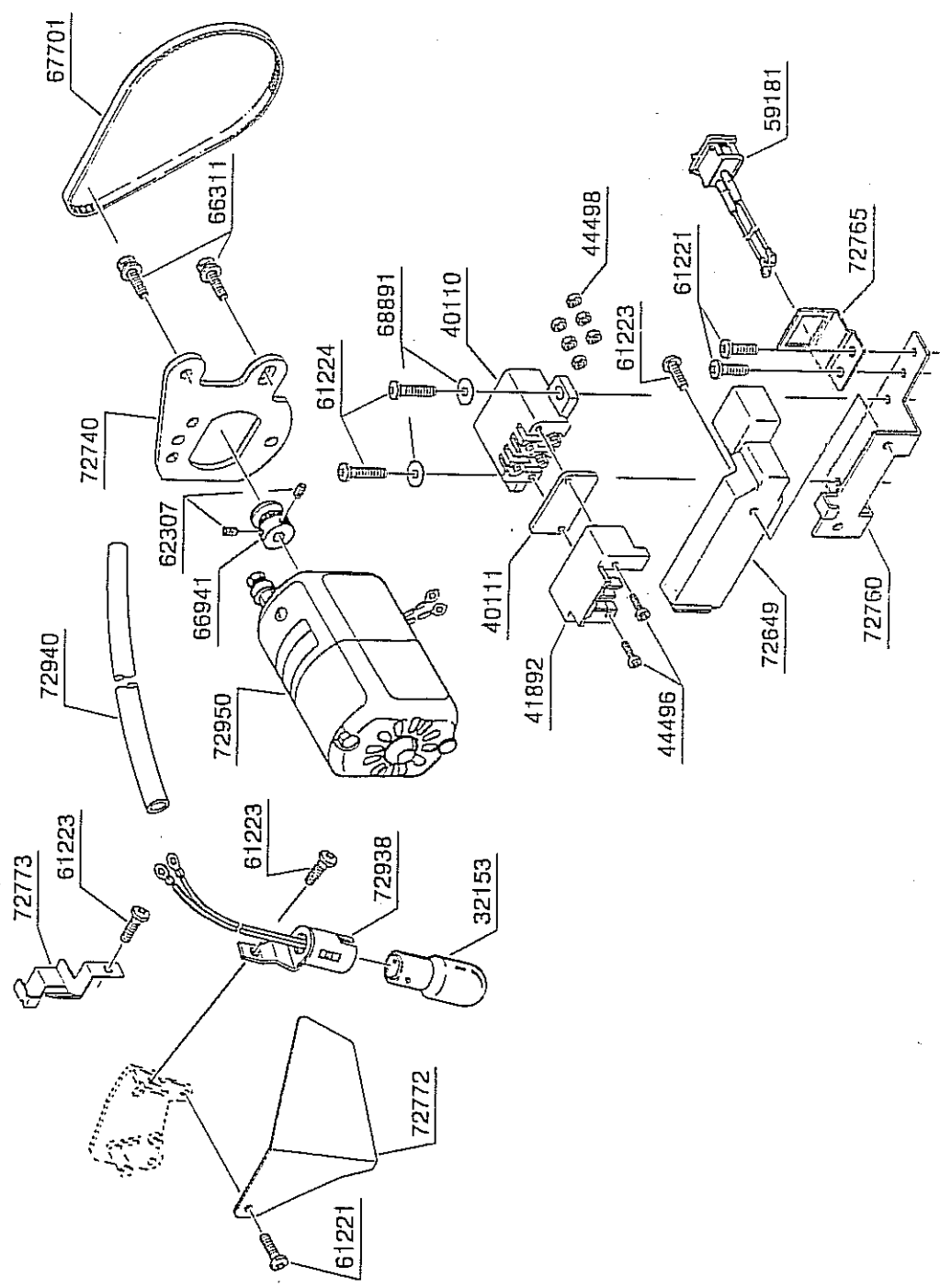


PART NO	DESCRIPTION
10963	EG CLIP-ON-WASHER
35818	WASHER
43393	WASHER
53740	SPRING WASHER
61222	M4 PHILLIPS SCREW
61333	M4 SCREW
61588	WASHER
62309	M3 SCREW
63805	WASHER
64313	M4 BOLT
64359	M4 SCREW
66220	M3 5 PHILLIPS SCREW
67444	COLLAR
72135	THREAD GUIDE (B)
72367	M4 BOLT
72639	LOOPER BASE
72640	UPPER LOOPER SUPPORTING ARM
72642	PIVOT
72700	UPPER LOOPER
72702	LOWER LOOPER
72705	SUPPORT PLATE
72747	NEEDLE RECEIVER (A)
72767	BED COVER
72768	LOOPER COVER
72775	THREAD GUIDE (A)
72787	PIN
72793	LOOPER SLIDE SHAFT
72794	SHAFT
72795	SHAFT
72818	PIN
72821	COLLAR
72827	THREAD GUIDE
73900	M3 PHILLIPS SCREW
73973	M4 BOLT

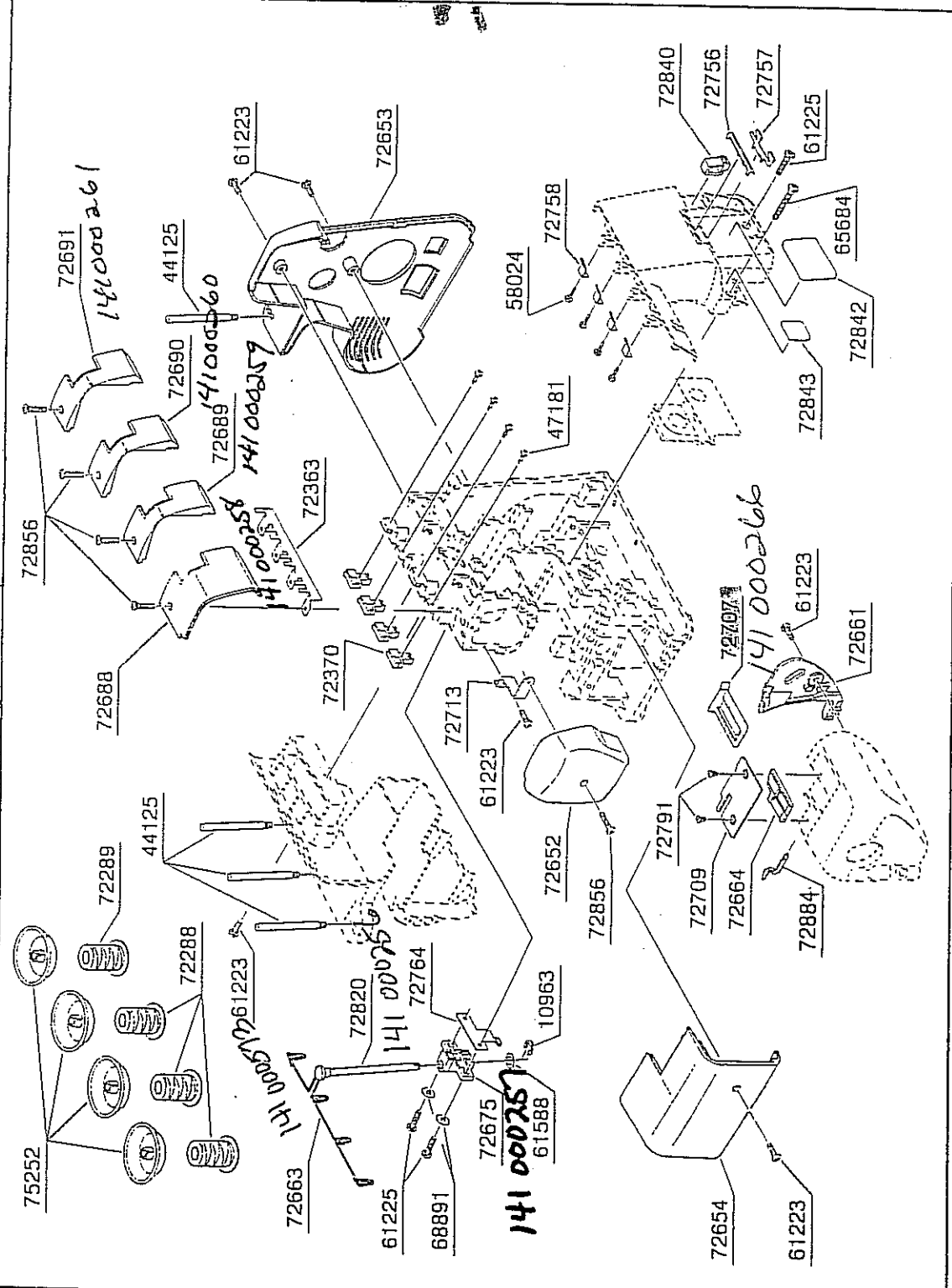
BUYER'S MODEL NO.	2000	SECTION	PAGE	REVISION	REMARKS
BUYER'S MODEL NAME	SUPERLOCK 2000		11		
FACTORY MODEL	CA-CN087W0				
ORIGINAL ISSUE	February, 1995	SERIAL NO.			

PART NO. DESCRIPTION

32153	LIGHT BULB
40110	TERMINAL BLOCK COVER
41892	TERMINAL BLOCK COVER
44496	M3 PHILIPS SCREW
44498	M3 NUT
59181	SWITCH ASSEMBLY
61221	M4 PHILIPS SCREW
61223	M4 PHILIPS SCREW
61224	M4 PHILIPS SCREW
62307	M4 SCREW
66311	M5 BOLT WITH WASHER
66941	MOTOR PULLEY
67701	TIMING BELT
68891	WASHER
72649	TERMINAL CASE
72740	VINYL TUBE
72760	TERMINAL BRACKET
72765	SWITCH BRACKET
72772	REFLECTION PLATE
72773	CORD GUIDE
72938	HARNES
72940	MOTOR BRACKET
72950	MOTOR



BUYER'S MODEL NO.	2000	SECTION	PAGE	REVISION	REMARKS
BUYER'S MODEL NAME	SUPERLOCK 2000		12		
FACTORY MODEL	CA-CN087W0				
ORIGINAL ISSUE	February, 1995	SERIAL NO.			



PART NO.	DESCRIPTION
10963	E6 CLIP-ON-WASHER
44125	SPOOL PIN
47181	TAPPING SCREW
58024	TAPPING SCREW
61223	M4 PHILLIPS SCREW
61225	M4 PHILLIPS SCREW
61588	WASHER
65684	M4 PHILLIPS SCREW
68891	WASHER
72288	THREAD
72289	THREAD
72363	CORD GUARD
72370	THREAD GUIDE
72652	FACE COVER
72653	SIDE COVER
72654	BED COVER
72661	SHUTTER
72663	THREAD GUIDE
72664	GUIDE PLATE
72675	HOLDER
72688	TOP COVER
72689	TOP COVER
72690	TOP COVER
72691	TOP COVER
72709	LOWER PLATE
72713	BRACKET
72756	THREAD GUIDE PLATE
72757	THREAD GUIDE (A)
72758	THREAD GUIDE (B)
72764	LEAF SPRING
72791	M4 SCREW
72820	EXTENSION BAR
72840	SPONGE
72842	THREADING SHEET
72843	SEAL
72856	M4 PHILLIPS SCREW
72884	DETACHABLE INSERT PLATE
75252	SPOOL PIN CAP

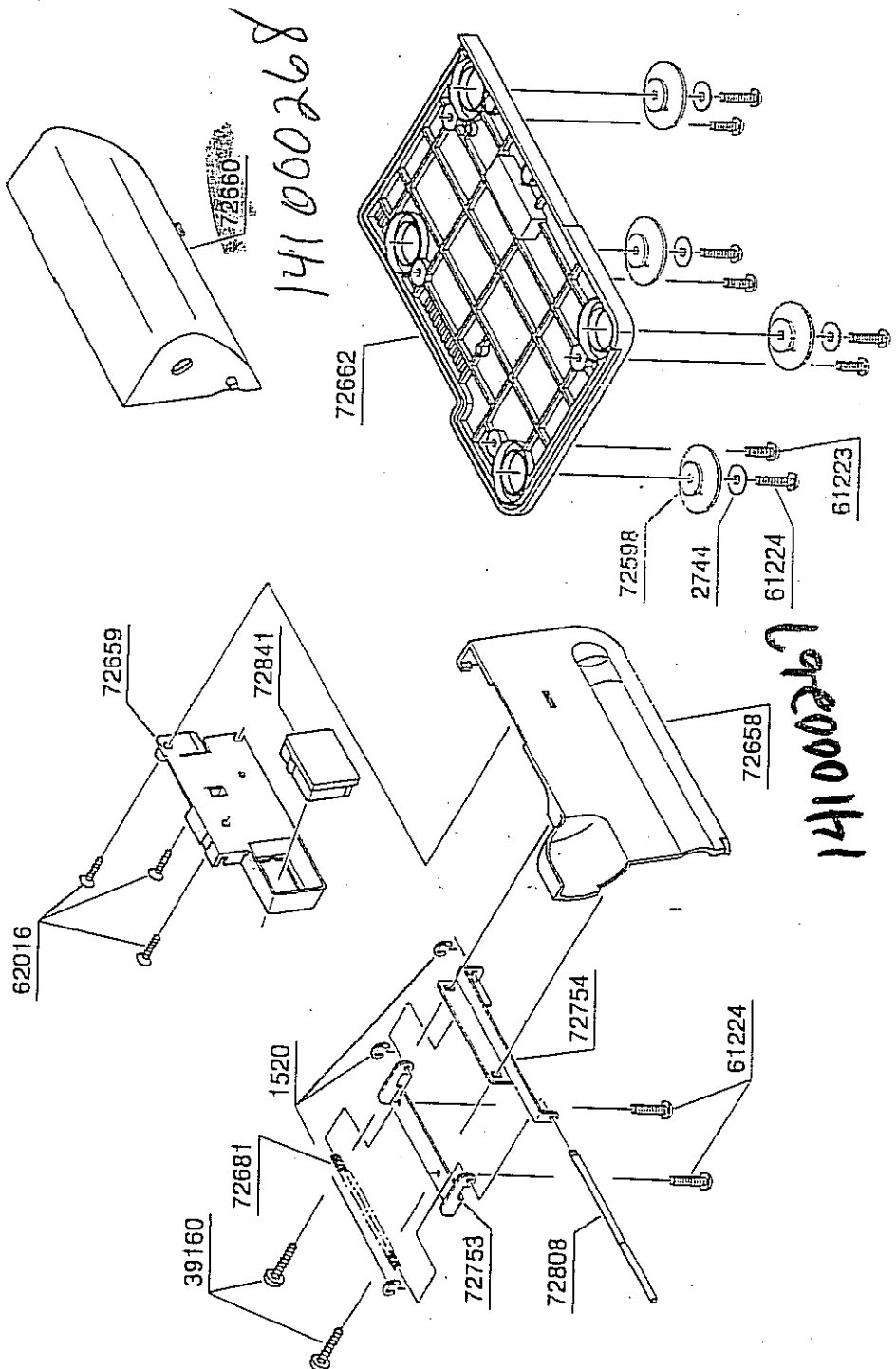
141 000266

141 000266

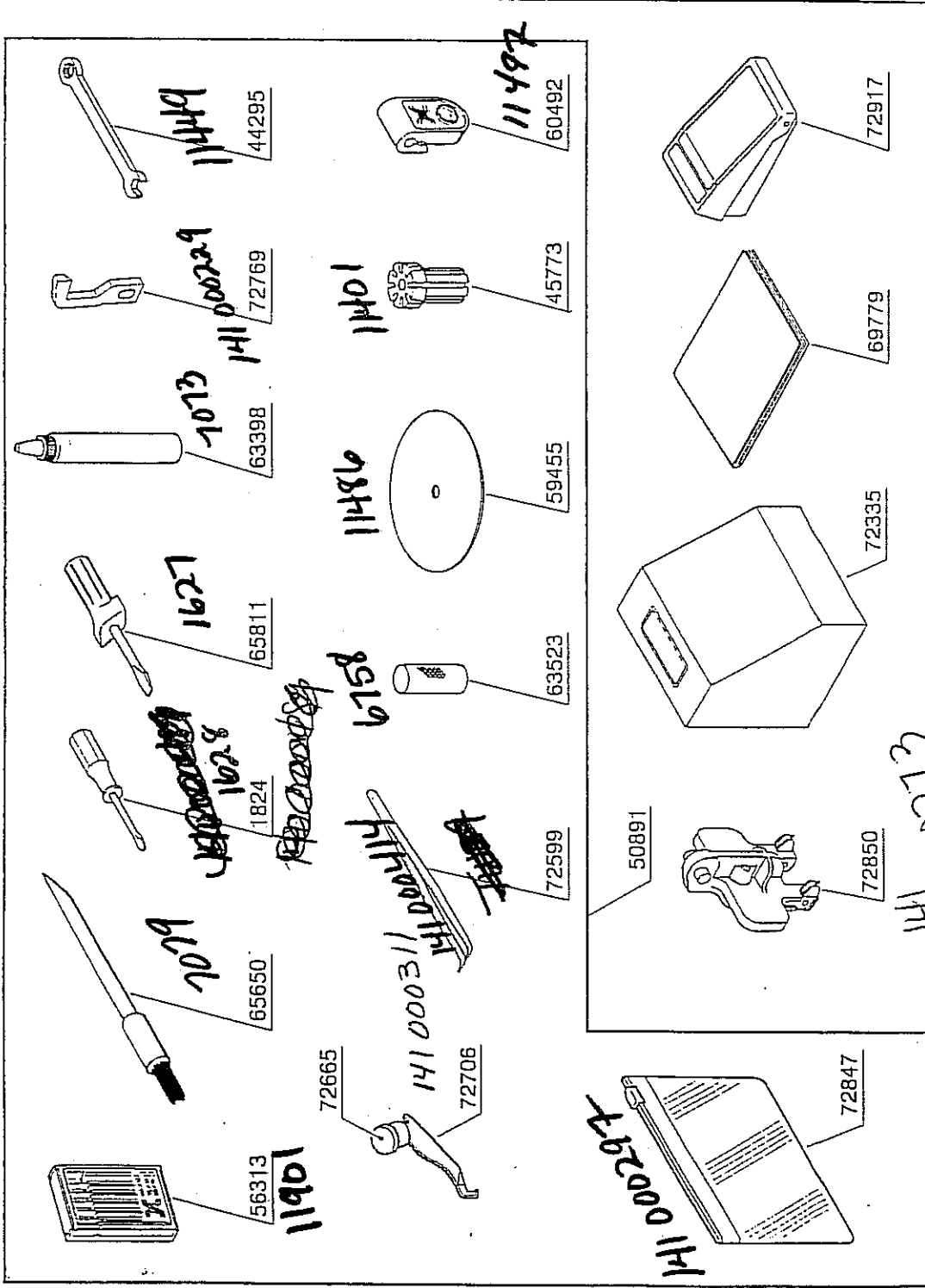
141 000266

141 000257

BUYER'S MODEL NO.		2000	SECTION	PAGE	REVISION	REMARKS	PART NO.	DESCRIPTION
BUYER'S MODEL NAME		SUPERLOCK 2000		13			1520	E3 CLIP-ON-WASHER
FACTORY MODEL		CA·CN087W0					2744	WASHER
ORIGINAL ISSUE		February, 1995					39160	TAPPING SCREW
							61223	M4 PHILIPS SCREW
							61224	M4 PHILIPS SCREW
							62016	TAPPING SCREW
							72598	RUBBER CUSHION
							72658	FRONT COVER
							72659	INNER ATTACHMENT CASE
							72660	LIMIT BOX
							72662	BASE
							72681	COMPRESSION SPRING
							72753	HINGED BRACKET (A)
							72754	HINGED BRACKET (B)
							72808	SHAFT
							72841	SPONGE HOLDER



BUYER'S MODEL NO.	2000	SECTION	PAGE	REVISION	REMARKS
BUYER'S MODEL NAME	SUPERLOCK 2000		14		
FACTORY MODEL	CA-CN087W0				
ORIGINAL ISSUE	February, 1995	SERIAL NO.			



PART NO.	DESCRIPTION
1824	SMALL SCREW DRIVER
44295	SPANNER
45773	CUSHION HOLDER
50891	ACCESSORY SET
56313	NEEDLE SET
59455	EXTENSION PLATE
60492	DETACHABLE CORD GUIDE
63398	SEWING MACHINE OIL
63523	NET
65650	CLEANING BRUSH
65811	LARGE SCREW DRIVER
69779	BOOK
72335	DUST COVER
72599	TWEEZERS
72665	CAP
72706	TWO-THREAD CONVERTOR
72769	UPPER KNIFE
72847	ACCESSORY VINYL BAG
72850	THREADER
72917	FOOT CONTROL